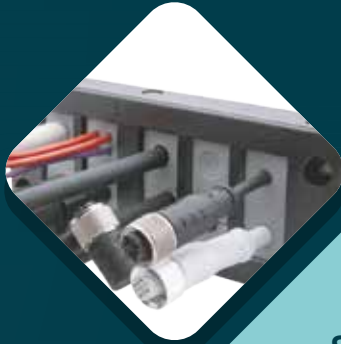


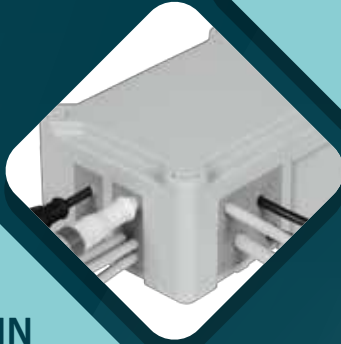


# **DETASULTRA<sup>®</sup>**

*solutions around the cable*



**SPLIT  
FRAMES**



**STRAIN  
RELIEF  
MODULES**

**ENTRY  
PLATES**



**EMC**



**CATALOG  
2026**

ENG - V. 15.0





**Detas SpA**  
Rezzato (Brescia)  
Italy



**Detas SpA**  
Pakrac  
Croatia



**DETASULTRA**<sup>®</sup>  
*solutions around the cable*

**DETAS 130**<sup>®</sup> 

# INDEX

Catalog 2026

VERS. 15.0

Please check online  
the latest version  
of the catalog



## SPLITTABLE FRAMES FOR CABLES WITH AND WITHOUT CONNECTORS

GROUP 1



9

DES DIVIA



12

DES splittable frames



39

Divisible cable glands  
OSF, DESCLICK, DESPREO



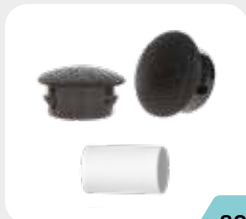
51

DES PMA series



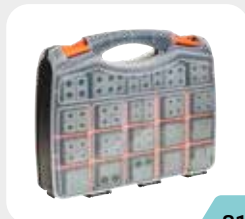
57

SP grommets



80

ISP & DES caps



81

Utility boxes



83

UltraTray 4



85

DES Z brush splittable  
frames



88

Hygienic Design  
Frames and grommets

## ENTRY PLATES FOR CABLES WITHOUT CONNECTORS

GROUP 2



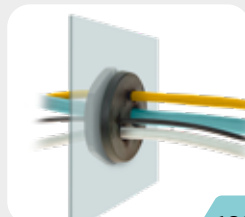
92

DES PDM



101

DES PDMU



102

DES PDM M



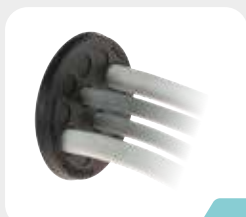
105

DES PDP



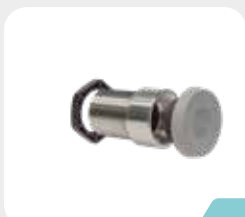
107

DES PMH



110

DES PM



116

EDM



117

IFP and  
DES PDM CAPS



118

RCS

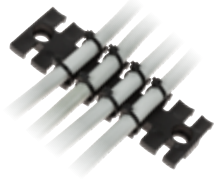


119

Hygienic Design

## STRAIN RELIEF MODULES

GROUP 3



122

Strain relief - AP series



126

DZ Spacers



127

MSTB



128

MFK - MFY - CFP



130

FV Serie



132

FVM

## EMC SHIELDING

GROUP 4



136

MS Cable clamps



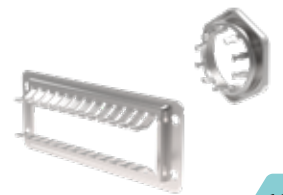
164

EMC APD



165

EMC brackets



167

EMCZ Series



169

Bases



170

Engineering Box EMC



171

CTX earthing braids



172

EMC frames and grommets

## DIVISIBLE CORRUGATED CONDUITS

GROUP 5



FL Divisible conduits

175



FW Clips

176

## ACCESSORIES

GROUP 6



GKD intumescent gaskets

178



Hydraulic punch driver HY360

179



TG 114 Din rail cutter

180



PF/PFX cable entry system plates

181



SQZ Brushes

184



DemoBox Deluxe

185

## ATEX CABLE ENTRY SYSTEMS

GROUP 7



DES A Frames and SP grommets

187



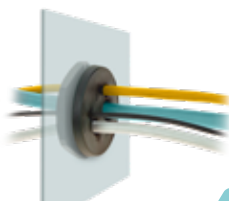
DES PDM A

191



DES PDMU A

194



DES PDM MA

195



DES PDP A

198



SPP PA - SPG PA

200

# NEW PRODUCTS 2026



DES DIVIA

9



DES LC24

25



DES LC16

26



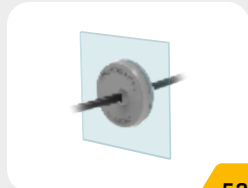
DES LC10

27



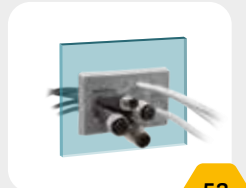
DES LCQ

28



DES PMA

52



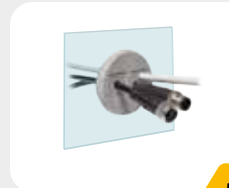
DES PMA 10

53



DES PMAC 32

54



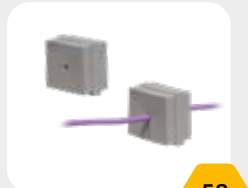
DES PMAC 50

55



DES PMAQ

56



SPC 1

58



SPC R4

59



SPN SERIES

63



SPN 2R1 SERIES

63



SPN M SERIES

64



SPG 2R SERIES

72



ISP 18 + ISP 34

80



DES HZ 24

84



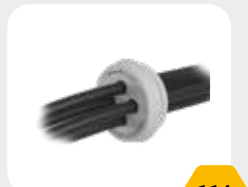
DES PMH24  
SERIES

107



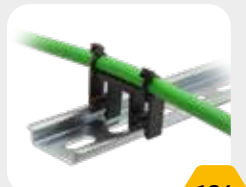
DES PM16  
SERIES

111



DES PM M20

114



APD 10

124



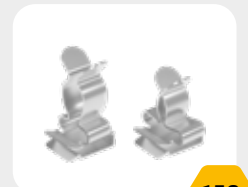
MSAD SERIES

143



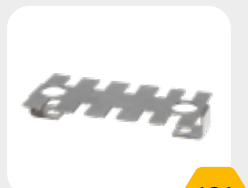
MSRK 3-11

154



MSRQ SERIES

156



EMC AP SERIES

164



EMCZ M SERIES

168

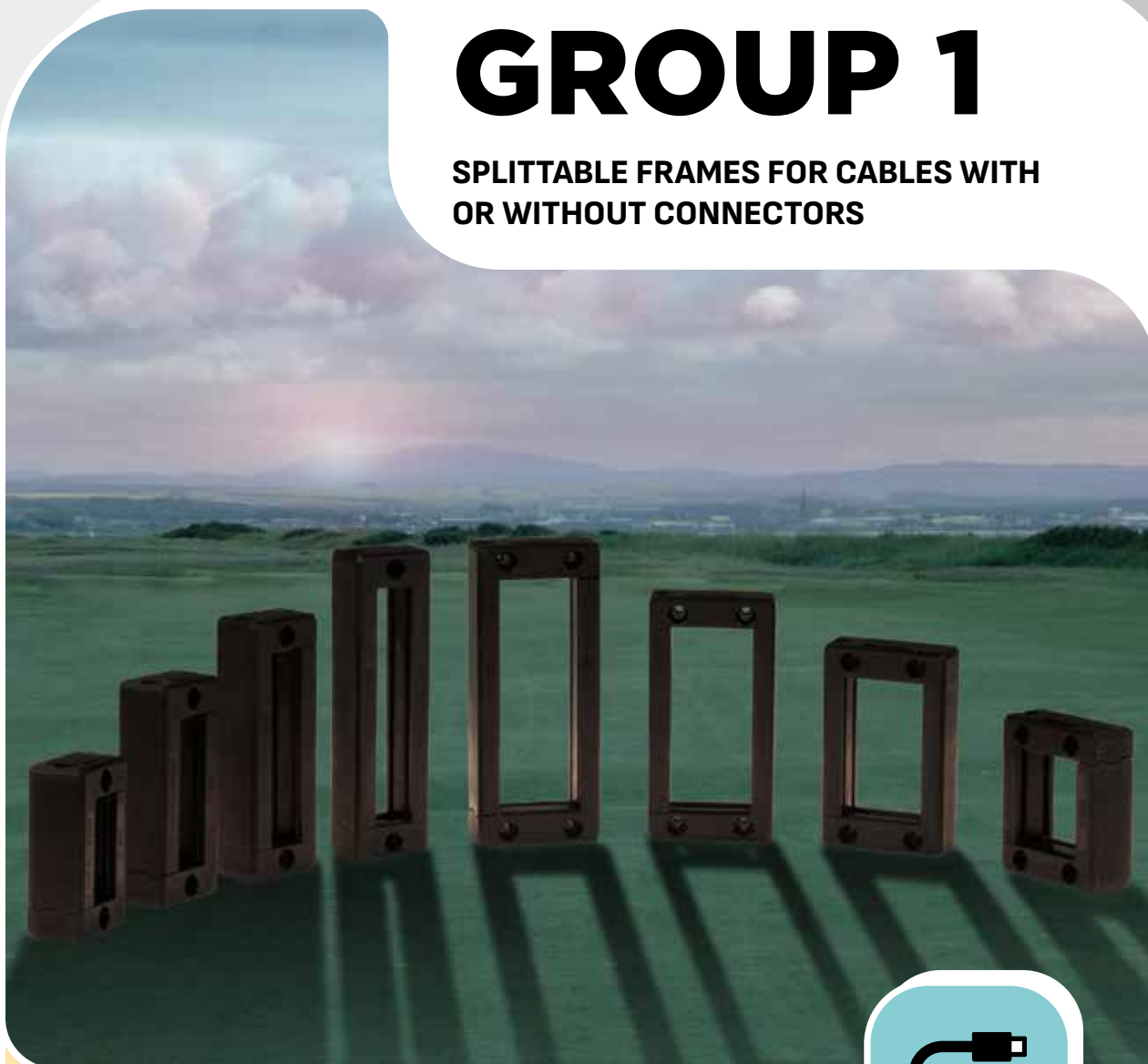


MBC

169

# GROUP 1

SPLITTABLE FRAMES FOR CABLES WITH  
OR WITHOUT CONNECTORS



DetasUltra products related to Group 1 are designed to optimize cable management in electrical equipment, providing a more efficient, well-organized and modern solution. They are mainly dedicated to cables with connectors, but the proposed solutions also integrate perfectly with simple cables.

The high quality of the products is guaranteed by the several certifications and awards achieved by our products over the years.



# DES DIVIA

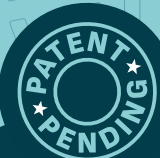
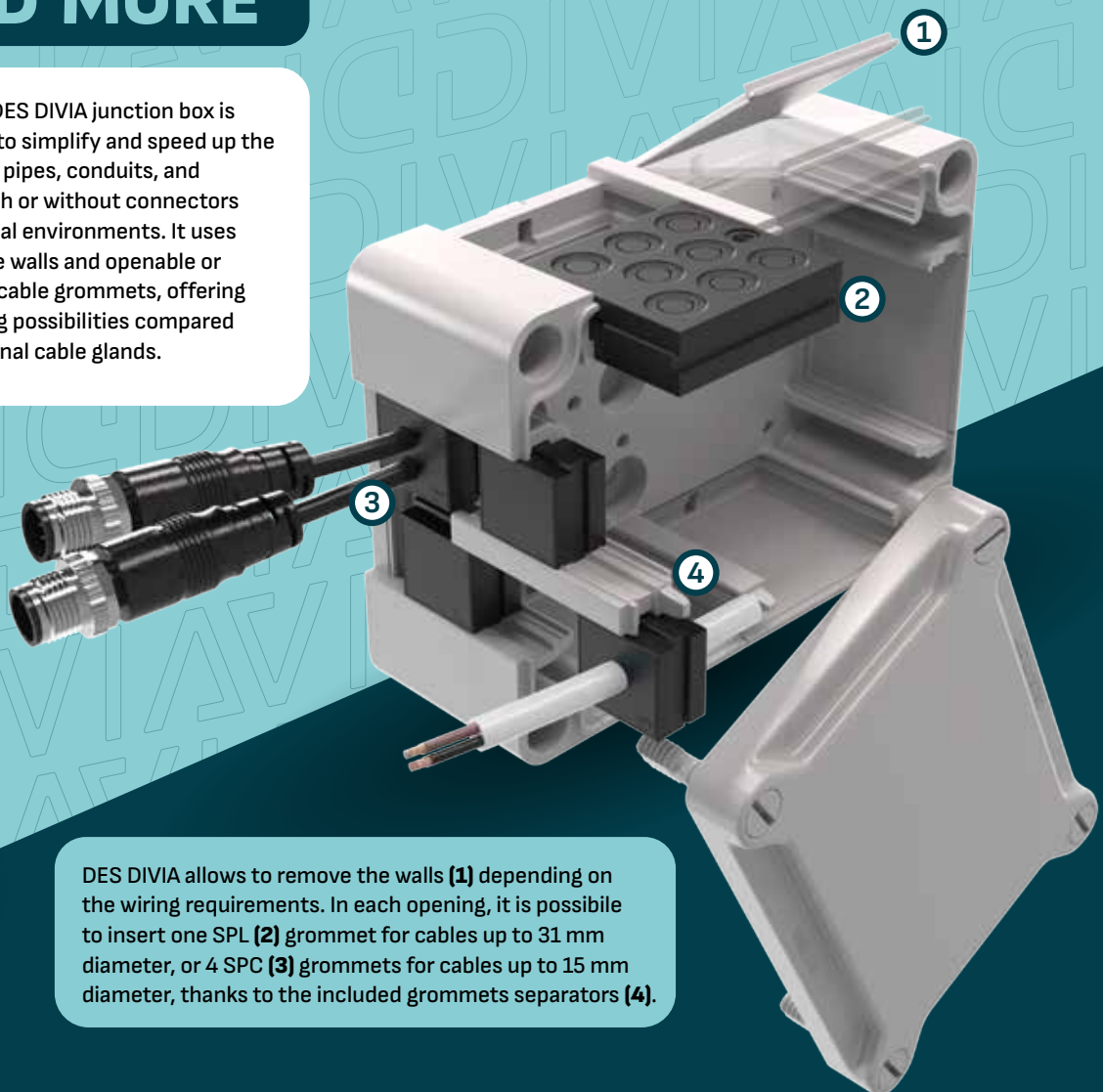


Junction box for cables with and without connectors

# DES DIVIA

## DESIGNED FOR CONNECTORIZED CABLES AND MORE

The new DES DIVIA junction box is designed to simplify and speed up the routing of pipes, conduits, and cables with or without connectors in industrial environments. It uses removable walls and openable or piercable cable grommets, offering new wiring possibilities compared to traditional cable glands.



DES DIVIA allows to remove the walls **(1)** depending on the wiring requirements. In each opening, it is possible to insert one SPL **(2)** grommet for cables up to 31 mm diameter, or 4 SPC **(3)** grommets for cables up to 15 mm diameter, thanks to the included grommets separators **(4)**.

### WORK SMARTER, SAVE YOUR TIME!

IP54  
IP66



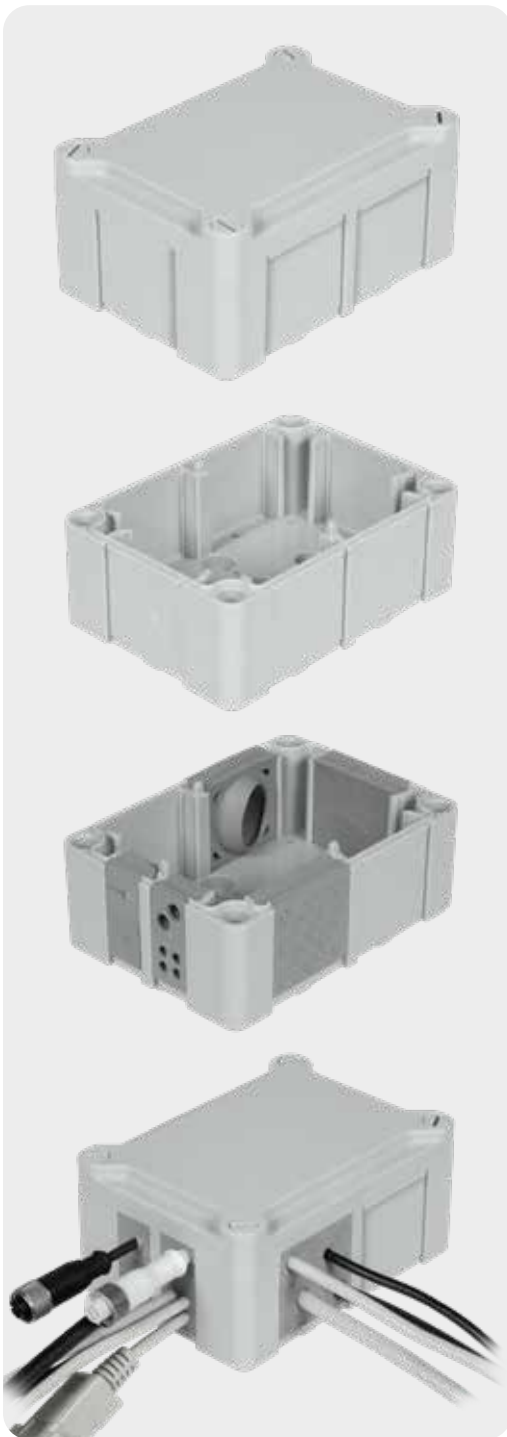
IK10



# DES DIVIA



Junction box for cables with and without connectors



## EASY INSTALLATION AND MAINTENANCE

### TIME SAVING

Quick installation even on existing wiring, no manual drilling, less assembly steps thanks to the removable walls and the predisposition for cable grommets.

## FLEXIBLE CONFIGURATION

### REDUCTION OF STOCK COMPONENTS

A single box combined with interchangeable grommets covers a wide range of applications thanks to the highly configurable cable entry system.

## HIGHER WIRING DENSITY

### SPACE SAVING

It accommodates a large number of cables in a small space thanks to multi-hole grommets.

## MORE WIRING OPTIONS

### FOR HEADED AND UNHEADED CABLES

Openable grommets enable routing of pre-terminated cables, while pierceable grommets allow fast installation of cables without connectors.

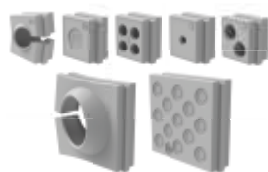
# DISCOVER ALL THE ADVANTAGES

REQUEST YOUR

**DEMO KIT**



IT CAN BE SET UP WITH THE COMPLETE RANGE OF SPC AND SPL GROMMETS



IP54  
IP66



RoHS  
COMPLIANT

IK10



# DES DIVIA



## Junction box for cables with and without connectors

### FEATURES

- It can be equipped with the complete range of SPC and SPL grommets
- Removable walls on each side of the junction box
- Designed for easy insertion of grommets
- Up to IP66 (IP54 with grommets)
- Dimensions (mm): L: 130 / W: 94 / H: 62
- Captive screws included
- Ready for internal DIN rail mounting (TH35 and TH15)



### APPLICATION:

- Industrial Automation
- Electrical Panels
- Industrial Systems
- Distribution Systems
- Control and Signaling Systems

**Material:** PC+ABS, halogen-free, silicone-free

**Flammability:** self-extinguishing acc. to UL94-V0

**Temperature:** -40°C... +130°C (static)

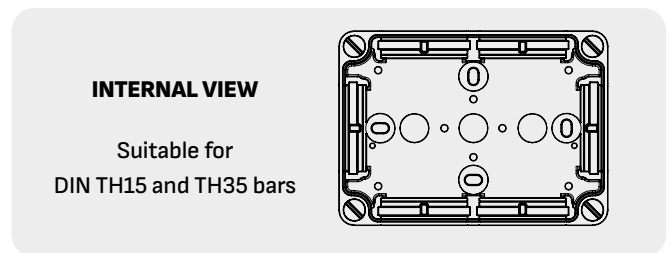
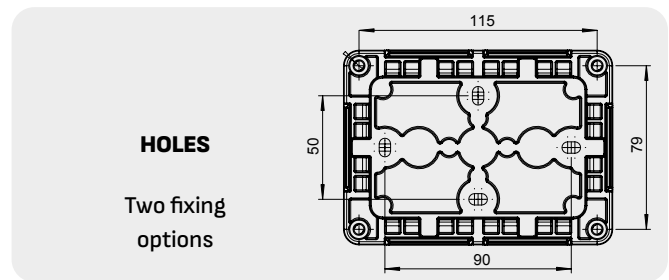
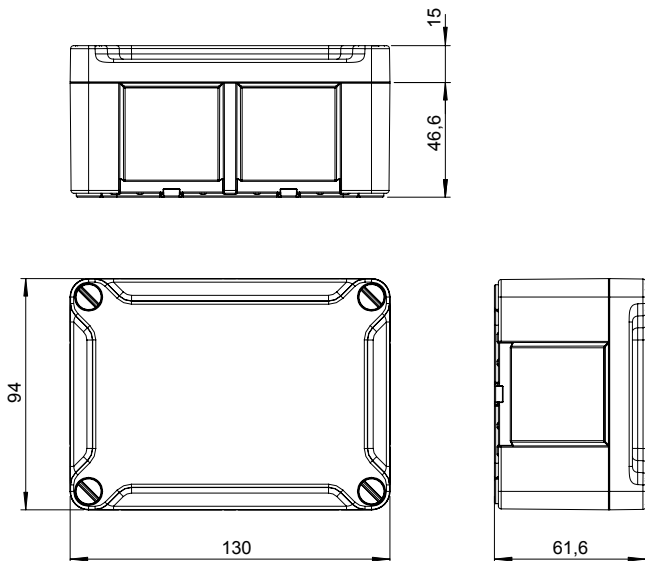
### RELATED PRODUCTS

- SPC grommets (from page 58)
- SPL grommets (from page 61)

	Model	Code	Dimensions (mm)	Pcs (/pack)
NEW	DES DIVIA 130.94A Standard cover version	1731613094	130 x 94 x 62	1
	DES DIVIA 130.94AT Transparent cover version	1731613096	130 x 94 x 62	

- **Upon request:** internal and external fixing plates
- The grommets are sold separately

### Dimensions (mm)



IP54  
IP66

UL94-V0

UV  
150 4892-2A

RoHS  
COMPLIANT

IK10



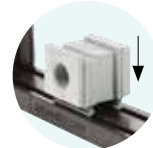
# DES 24



## Splittable frame for cables with and without connectors

### FEATURES

- Multiple configurations in the same frame
- Frame screws in AISI304 Stainless Steel
- IP66 and NEMA 4X certified with all configurations of grommets
- Strain relief according to EN 62444
- Sturdy construction IK10
- Overmolded gasket acc. to UL94-V0
- ATEX version on request (Group 7)
- Threaded inserts version on request
- Max 40 cables



The DES 24 cable entry system consists of a splittable frame designed to accommodate small (SPP), multiple (X) or large (SPG) grommets for cables with and without connectors. The grommets can be freely positioned into the frame.

With all combinations of grommets, single, double, quadruple, big, the IP66 and NEMA 4X are guaranteed.

The overmolded gasket guarantees faster installation times and the complete V0 self-extinguishing of the system.

**Material:** PP+GF, halogen-free, silicone-free

**Flammability:** self-extinguishing acc. to UL94-V0

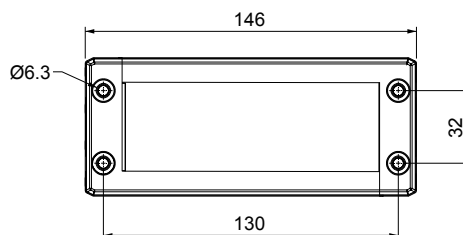
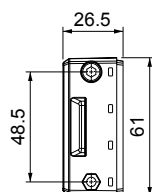
**Temperature:** -40°C... +155°C (static)

### RELATED PRODUCTS

- SPP grommets (from page 65)
- SPG grommets (from page 71)
- DES Cover (page 36)
- DES Flap (page 37)
- HY360 hydraulic punch driver (page 179)
- PF/PFX cable entry system plates (from page 181)
- Intumescent gasket (page 178)
- EMCZ (page 167)

Model	Code	Some possible configurations	Cut-out (mm)	Pcs (/pack)
DES 24	1731010024		112 x 36	10
Upon request	1731991020	Set of 4 mounting screws in AISI304 with Black Geomet finishing		

### Dimensions (mm)



IP66

NEMA 12, 4X

UL TYPE 12, 4X\*  
\*Indoor only

UL94-V0

HL3  
EN 45545-2

EI45  
EN1363-1

ECOLAB

UV  
ISO 4892-2A

RoHS  
COMPLIANT

IK10

Ex  
ZONE 2/22



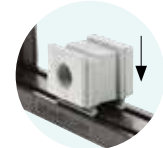
# DES 16



## Splittable frame for cables with and without connectors

### FEATURES

- Multiple configurations in the same frame
- Frame screws in AISI304 Stainless Steel
- IP66 and NEMA 4X certified with all configurations of grommets
- Strain relief according to EN 62444
- Sturdy construction IK10
- Overmolded gasket acc. to UL94-V0
- ATEX version on request (Group 7)
- Threaded inserts version on request
- Max 32 cables



The DES 16 cable entry system consists of a splittable frame designed to accommodate small (SPP), multiple (X) or large (SPG) grommets for cables with and without connectors. The grommets can be freely positioned into the frame.

With all combinations of grommets, single, double, quadruple, big, the IP66 and NEMA 4X are guaranteed.

The overmolded gasket guarantees faster installation times and the complete V0 self-extinguishing of the system.

**Material:** PP+GF, halogen-free, silicone-free

**Flammability:** self-extinguishing acc. to UL94-V0

**Temperature:** -40°C... +155°C (static)

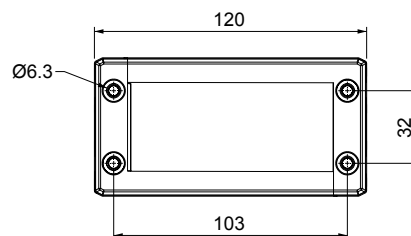
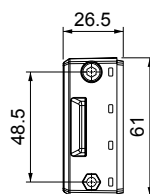
### RELATED PRODUCTS

- SPP grommets (from page 65)
- SPG grommets (from page 71)
- DES Cover (page 36)
- DES Flap (page 37)
- HY360 hydraulic punch driver (page 179)
- PF/PFX cable entry system plates (from page 181)
- Intumescent gasket (page 178)
- EMCZ (page 167)



Model	Code	Some possible configurations	Cut-out (mm)	Pcs (/pack)
DES 16	1731010016		86 x 36	10
Upon request	1731991020	Set of 4 mounting screws in AISI304 with Black Geomet finishing		

### Dimensions (mm)



IP66

NEMA 12, 4X

UL TYPE 12, 4X\*  
\*indoor only



IK10





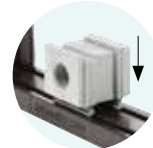
# DES 10



## Splittable frame for cables with and without connectors

### FEATURES

- Multiple configurations in the same frame
- Frame screws in AISI304 Stainless Steel
- IP66 and NEMA 4X certified with all configurations of grommets
- Strain relief according to EN 62444
- Sturdy construction IK10
- Overmolded gasket acc. to UL94-V0
- ATEX version on request (Group 7)
- Threaded inserts version on request
- Max 24 cables



The DES 10 cable entry system consists of a splittable frame designed to accommodate small (SPP), multiple (X) or large (SPG) grommets for cables with and without connectors. The grommets can be freely positioned into the frame.

With all combinations of grommets, single, double, quadruple, big, the IP66 and NEMA 4X are guaranteed.

The overmolded gasket guarantees faster installation times and the complete V0 self-extinguishing of the system.

**Material:** PP+GF, halogen-free, silicone-free

**Flammability:** self-extinguishing acc. to UL94-V0

**Temperature:** -40°C... +155°C (static)

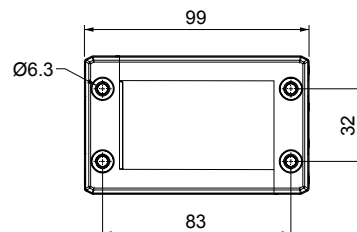
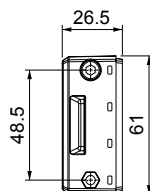
Model	Code	Some possible configurations	Cut-out (mm)	Pcs (/pack)
DES 10	1731010010		65 x 36	10
Upon request	1731991020	Set of 4 mounting screws in AISI304 with Black Geomet finishing		

### RELATED PRODUCTS

- SPP grommets (from page 65)
- SPG grommets (from page 71)
- DES Cover (page 36)
- DES Flap (page 37)
- HY360 hydraulic punch driver (page 179)
- Intumescent gasket (page 178)
- EMCZ (page 167)



### Dimensions (mm)



IP66

NEMA 12, 4X

UL TYPE 12, 4X\*  
\*indoor only



ECOLAB



RoHS COMPLIANT

IK10

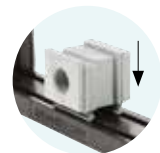




## Splittable frame for cables with and without connectors

### FEATURES

- For 4 small grommets or 1 big grommet
- Frame screws in AISI304 Stainless Steel
- IP66 and NEMA 4X certified with all configurations of grommets
- Strain relief according to EN 62444
- Sturdy construction IK10
- Overmolded gasket acc. to UL94-V0
- ATEX version on request (Group 7)
- Threaded inserts version on request
- Max 16 cables



The DES Q cable entry system consists of a splittable frame designed to accommodate small (SPP), multiple (X) or large (SPG) grommets for cables with and without connectors.

With all combinations of grommets, single, double, quadruple, big, the IP66 and NEMA 4X are guaranteed.

The overmolded gasket guarantees faster installation times and the complete V0 self-extinguishing of the system.

**Material:** PP+GF, halogen-free, silicone-free

**Flammability:** self-extinguishing acc. to UL94-V0

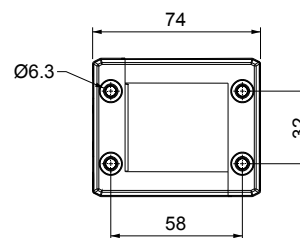
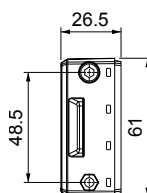
**Temperature:** -40°C... +155°C (static)

Model	Code	Some possible configurations	Cut-out (mm)	Pcs (/pack)
DES Q	1731010008		40 x 36	10
Upon request	1731991020	Set of 4 mounting screws in AISI304 with Black Geomet finishing		

### RELATED PRODUCTS

- SPP grommets (from page 65)
- SPG grommets (from page 71)
- DES Cover (page 36)
- DES Flap (page 37)
- HY360 hydraulic punch driver (page 179)
- Intumescent gasket (page 178)
- EMCZ (page 167)

### Dimensions (mm)



IP66

NEMA 12, 4X

UL TYPE 12, 4X\*  
\*Indoor only



IK10





# DES L1 / L2 / L3



Splittable frame for cables with and without connectors

## FEATURES

- For 1, 2 or 3 small SPP grommets
- Frame screws in AISI304 Stainless Steel
- IP66 and NEMA 4X certified with all configurations of grommets
- Strain relief according to EN 62444
- Sturdy construction IK10
- Overmolded gasket acc. to UL94-V0
- ATEX version on request (Group 7)
- Threaded inserts version on request



The DES L1, L2, L3 cable entry system consists of a splittable frame designed to accommodate small (SPP) grommets for cables with or without connectors. With all combinations of grommets, single, double, quadruple, the IP66 and NEMA 4X are guaranteed. The overmolded gasket guarantees faster installation times and the complete V0 self-extinguishing of the system.

**Material:** PP+GF, halogen-free, silicone-free

**Flammability:** self-extinguishing acc. to UL94-V0

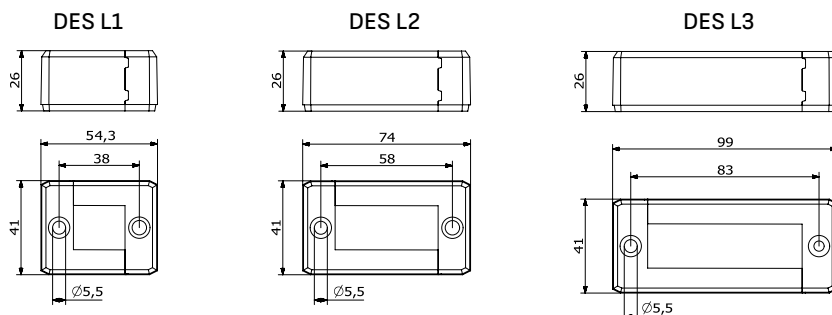
**Temperature:** -40°C... +155°C (static)

## RELATED PRODUCTS

- SPP grommets (from page 65)
- HY360 hydraulic punch driver (page 179)

Model	Code	Some possible configurations	Max. cut-out (mm)	Pcs (/pack)
DES L1	1731010001		21 x 18	10
DES L2	1731010002		40 x 18	
DES L3	1731010003		63 x 18	
Upon request	1731991010	Set of 2 mounting screws in AISI304 with Black Geomet finishing		

## Dimensions (mm)



IP66

NEMA 12, 4X

UL TYPE 12, 4X\*  
\*Indoor only



ECOLAB

UL94-V0



RoHS COMPLIANT

IK10





# DES L4 / L5



## Splittable frame for cables with and without connectors

### FEATURES

- For 4 or 5 small SPP grommets
- Frame screws in AISI304 Stainless Steel
- IP66 and NEMA 4X certified with all configurations of grommets
- Strain relief according to EN 62444
- Sturdy construction IK10
- Overmolded gasket acc. to UL94-V0
- ATEX version on request (Group 7)
- Threaded inserts version on request

The DES L4 / L5 cable entry system consists of a splittable frame designed to accommodate small (SPP) grommets for cables with or without connectors. With all combinations of grommets, single, double, quadruple, the IP66 and NEMA 4X are guaranteed. The overmolded gasket guarantees faster installation times and the complete V0 self-extinguishing of the system.

**Material:** PP+GF, halogen-free, silicone-free

**Flammability:** self-extinguishing acc. to UL94-V0

**Temperature:** -40°C... +155°C (static)

### RELATED PRODUCTS

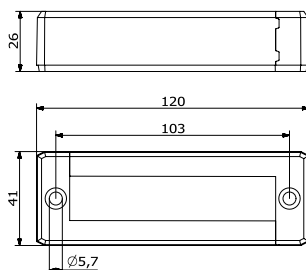
- SPP grommets (from page 65)
- HY360 hydraulic punch driver (page 179)



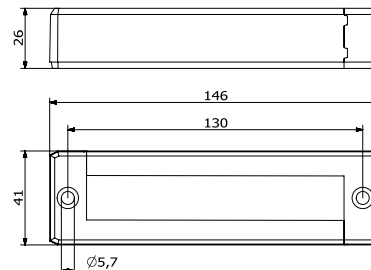
Model	Code	Some possible configurations	Max. cut-out (mm)	Pcs (/pack)
DES L4	1731010004		86 x 18	10
DES L5	1731010005		112 x 18	
Upon request	1731991010	Set of 2 mounting screws in AISI304 with Black Geomet finishing		

### Dimensions (mm)

DES L4



DES L5



IP66

NEMA 12, 4X

UL TYPE 12, 4X\*  
\*Indoor only



ECOLAB



RoHS COMPLIANT

IK10





# DES FT



## Splittable frame with threaded inserts

### FEATURES

- Flat surface without dirt deposit
- **Rear installation with M4 threaded inserts**
- IP66 and NEMA 4X certified with all configurations of grommets
- Strain relief according to EN 62444
- Sturdy construction IK10
- Overmolded gasket acc. to UL94-V0

The DES FT splittable frames are equipped with threaded inserts and with front taps which allow the installation on the rear part of the panel and keep the front part clean avoiding dirt accumulation.

All the other technical data of the DES FT frames are exactly the same of DES Series.

**Material:** PP+GF, halogen-free, silicone-free

**Flammability:** self-extinguishing acc. to UL94-V0

**Temperature:** -40°C... +155°C (static)

### RELATED PRODUCTS

- SPP grommets (from page 65)
- SPG grommets (from page 71)
- DES Cover (page 36)
- DES Flap (page 37)
- HY360 hydraulic punch driver (page 179)
- PF/PFX cable entry system plates (from page 181)
- DES caps (page 80)
- Intumescent gasket (page 178)
- EMCZ (page 167)



M4 threaded inserts

Model	Code	Some possible configurations	Max. cut-out (mm)	Pcs (/pack)
DES L1 FT	1731410001		21 x 18	10
DES L2 FT	1731410002		40 x 18	50
DES L3 FT	1731410003		63 x 18	
DES L4 FT	1731410004		86 x 18	
DES L5 FT	1731410005		112 x 18	
DES Q FT	1731410008		40 x 36	
DES 10 FT	1731410010		63 x 36	
DES 16 FT	1731410016		86 x 36	
DES 24 FT	1731410024		112 x 36	



IP66

NEMA 12, 4X

UL TYPE 12, 4X\*  
\*indoor only



ECOLAB



RoHS COMPLIANT

IK10





# DES 24-90



## Splittable frame for cables with and without connectors

### FEATURES

- 90° cable entry
- Multiple configurations in the same frame
- Frame screws in AISI304 Stainless Steel
- IP54
- Strain relief according to EN 62444
- Sturdy construction IK10
- Max 40 cables

The 90° cable entry system DES-90 is used when the machinery construction does not allow the straight cables entrance, or when a clean design is requested.

This cable entry system is suitable for both cables with or without connectors and corrugated conduits, or a mix of them.

The grommets can be freely accommodated into the frame.

**Material:** PP+GF, halogen-free, silicone-free

**Flammability:** self-extinguishing

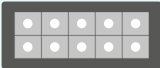
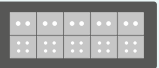
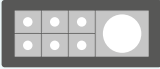
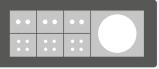


acc. to UL94-V0

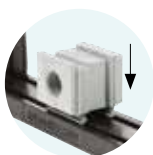
**Temperature:** -40°C... +155°C (static)

### RELATED PRODUCTS

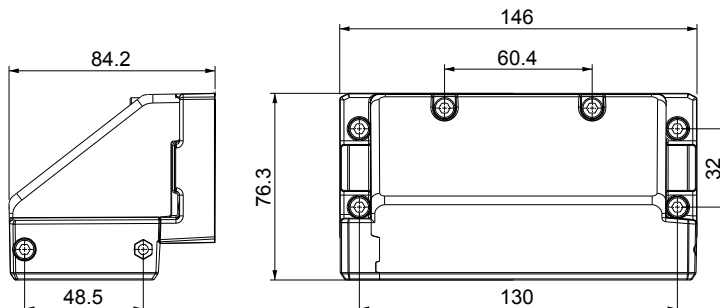
- SPP grommets (from page 65)
- SPG grommets (from page 71)
- DES Cover (page 36)
- HY360 hydraulic punch driver (page 179)



Model	Code	Some possible configurations	Cut-out (mm)	Pcs (/pack)
DES 24-90	1731010124	     	112 x 36	1



### Dimensions (mm)



IP54

NEMA 12

UL TYPE 12



ECOLAB

UL94-V0



RoHS COMPLIANT

IK10



# DES 24M



Splittable frame for cables with and without connectors

## FEATURES

- Multiple configurations with small and big grommets
- Frame screws in AISI304 Stainless Steel
- External gasket included
- Strain relief according to EN 62444
- Sturdy construction IK10
- IP54
- Max 40 cables

The DES 24M splittable frame allows up to 40 cables with or without connectors or one or two cables up to 35mm diameter to be routed through electrical cabinets or machine panels.

The small and big grommets can be placed inside the frame in any position. The DES 24M frame is the base structure for the modular MX version.

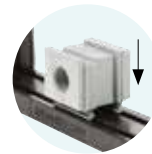
**Material:** PP+GF, halogen-free, silicone-free

**Flammability:** self-extinguishing acc. to UL94-V0

**Temperature:** -40°C... +155°C (static)

## RELATED PRODUCTS

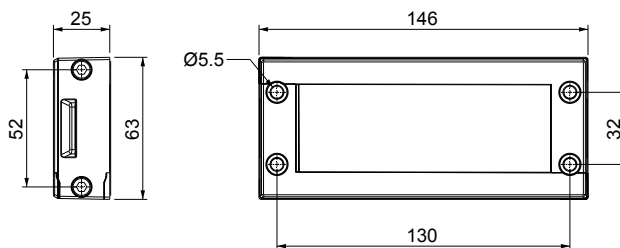
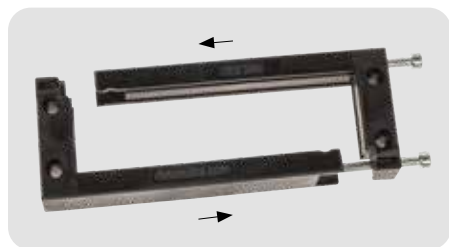
- SPP grommets (from page 65)
- SPG grommets (from page 71)
- DES Cover (page 36)
- HY360 hydraulic punch driver (page 179)
- PF/PFX cable entry system plates (from page 181)
- Intumescent gasket (page 178)
- EMCZ (page 167)



Model	Code	Some possible configurations	Cut-out (mm)	Pcs (/pack)
DES 24M	1731010224		112 x 36	10
Upon request	1731991020	Set of 4 mounting screws in AISI304 with Black Geomet finishing		

## Dimensions (mm)

## Tutorial



IP54

NEMA 12



ECOLAB



IK10



# DES 24MX15



Splittable frame for cables with and without connectors

## FEATURES

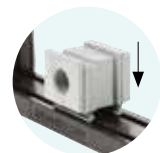
- Multiple configurations in the same frame
- Frame screws in AISI304 Stainless Steel
- IP54
- Strain relief acc. to EN 62444
- Sturdy construction IK10
- External gasket included


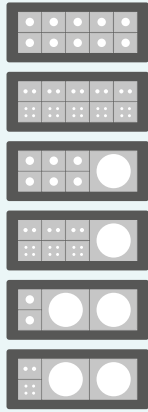
The DES 24MX15 splittable frame allows up to 60 cables with or without connectors or one or two cables up to 35mm to be routed through electrical cabinets or machines walls. The small and big grommets can be freely positioned inside the frame. The DES 24MX15 is tightened thanks to three stainless steel screws on the right side.

**Material:** PP+GF, halogen-free, silicone-free  
**Flammability:** self-extinguishing acc. to UL94-V0  
**Temperature:** -40°C... +155°C (static)

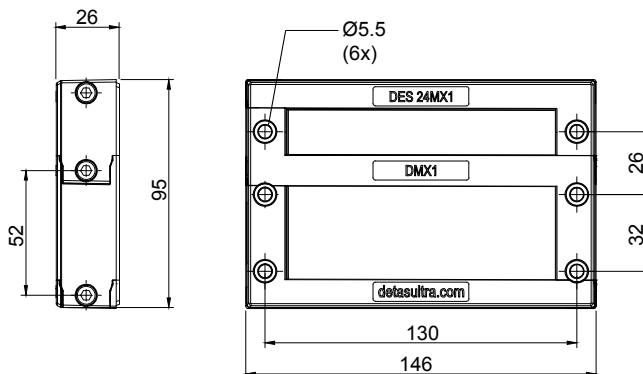
## RELATED PRODUCTS

- SPP grommets (from page 65)
- SPG grommets (from page 71)



Model	Code	Some possible configurations for lower module	Dimensions (mm)	Max. cut-out (mm)	Pcs (/pack)
 DES 24MX15	1731010215		146 x 95,4	114 X 70	10
Upon request	1731991020	Set of 4 mounting screws in AISI304 with Black Geomet finishing			

## Dimensions (mm)



1



IP54

NEMA 12



ECOLAB



RoHS COMPLIANT

IK10



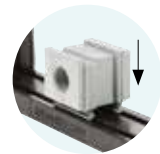
# DES 24MX



Modular frame for cables with and without connectors

## FEATURES

- Modular, limitless solution
- Multiple configurations with small and big grommets
- Frame screws in AISI304 Stainless Steel
- IP54
- Strain relief according to EN 62444
- Sturdy construction IK10
- External gasket included



The DES 24MX splittable frames family is a modular solution for installations where a large number of cables need to be routed through electrical cabinets walls or panels. This solution is modular and can be used as a main cable entry systems in the cabinets. Both cables with or without connectors can be routed (40 for each module) and future updates can be easily organized in the quickly and cost-effectively.


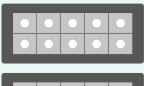

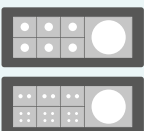

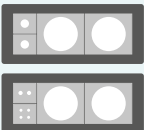
**Material:** PP+GF, halogen-free, silicone-free

**Flammability:** self-extinguishing acc. UL94-V0

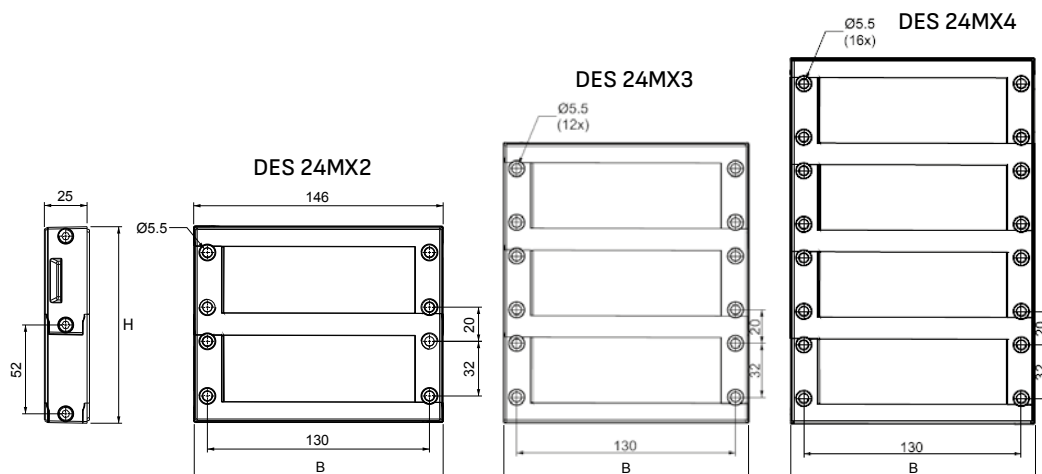
**Temperature:** -40°C... +155°C (static)

## RELATED PRODUCTS

- SPP grommets (from page 65)
- SPG grommets (from page 71)

Model	Code	Some possible configurations for each module	Dimensions B x H (mm)	Max. cut-out (mm)	Pcs (/pack)
 <b>DES 24MX2</b>	1731010252		146 x 115	114 x 92	1
 <b>DES 24MX3</b>	1731010253		146 x 167	114 x 144	
 <b>DES 24MX4</b>	1731010254		146 x 219	114 x 196	
<b>Other models upon request</b>					
<b>Upon request</b>	1731991020	Set of 4 mounting screws in AISI304 with Black Geomet finishing			

## Dimensions (mm)



## Tutorial



IP54

NEMA 12



ECOLAB



RoHS COMPLIANT

IK10



# DES 16M



## Splittable frame for cables with and without connectors

### FEATURES

- Multiple configurations with small and big grommets
- Frame screws in AISI304 Stainless Steel
- External gasket included
- Strain relief according to EN 62444
- Sturdy construction IK10
- IP54

The DES 16M splittable frame allow up to 32 cables with or without connectors or one or two cables up to 35mm diameter to be routed through electrical cabinets or machine panels. The small and big grommets can be placed inside the frame in any position. The DES 16M frame is the base structure for the modular MX version.

**Material:** PP+GF, halogen-free, silicone-free  
**Flammability:** self-extinguishing acc. to UL94-V0 including gasket  
**Temperature:** -40°C... +155°C (static)

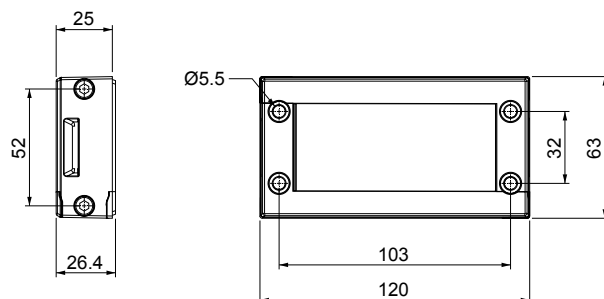
### RELATED PRODUCTS

- SPP grommets (from page 65)
- SPG grommets (from page 71)
- DES Cover (page 36)
- HY360 hydraulic punch driver (page 179)



Model	Code	Some possible configurations	Cut-out (mm)	Pcs (/pack)
DES 16M	1731010216		86 x 36	10
Upon request	1731991020	Set of 4 mounting screws in AISI304 with Black Geomet finishing		

### Dimensions (mm)



IP54

NEMA 12



ECOLAB



RoHS COMPLIANT

IK10



# DES 16MX



Modular frames for cables with and without connectors

## FEATURES

- Modular, limitless solution
- Multiple configurations with small and big grommets
- Frame screws in AISI304 Stainless Steel
- IP54
- Strain relief according to EN 62444
- Sturdy construction IK10
- External gasket included


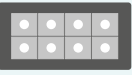

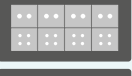




The DES 16MX splittable frames family is a modular solution for installations where a large number of cables need to be routed through electrical cabinets walls or panels. This solution is modular and can be used as a main cable entry systems in the cabinets. Both cables with or without connectors can be routed (32 for each module) and future updates can easily be organized in the quickly and cost-effectively.

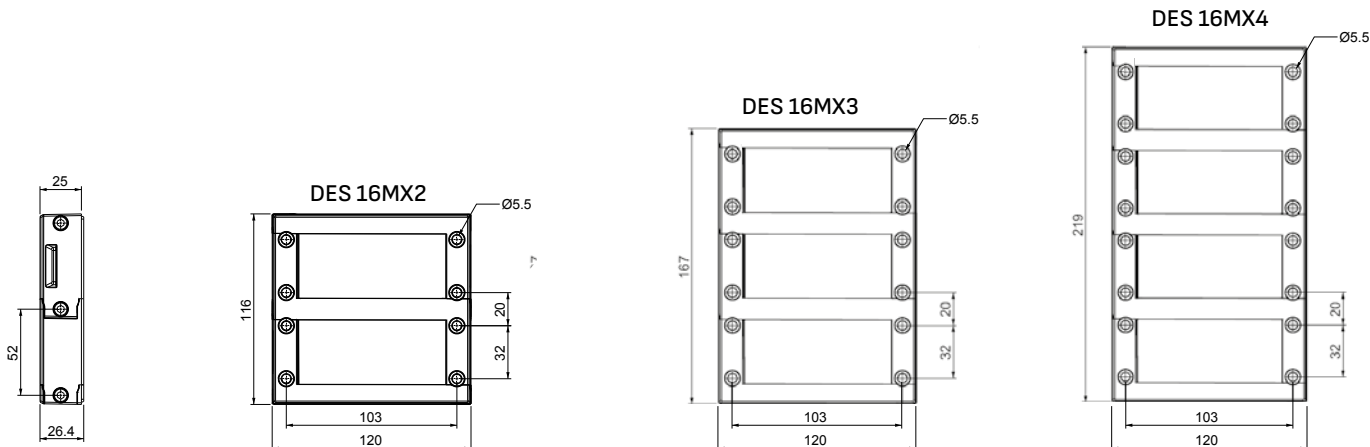
**Material:** PP+GF, halogen-free, silicone-free  
**Flammability:** self-extinguishing acc. to UL94-V0 including gasket  
**Temperature:** -40°C... +155°C (static)

## RELATED PRODUCTS

- SPP grommets (from page 65)
- SPG grommets (from page 71)
- DES Cover (page 36)

Model	Code	Some possible configurations for each module	Dimensions (mm)	Max. cut-out (mm)	Pcs (/pack)
 DES 16MX2	1731010262		120 x 115	86 x 92	1
 DES 16MX3	1731010263		120 x 167	86 x 144	
 DES 16MX4	1731010264		120 x 219	86 x 196	
<b>Other models upon request</b>					
<b>Upon request</b>	1731991020	Set of 4 mounting screws in AISI304 with Black Geomet finishing			

## Dimensions (mm)



IP54

NEMA 12



ECOLAB



RoHS COMPLIANT

IK10



## Splittable frame for cables with and without connectors

### FEATURES

- For SPC and SPN grommets
- Stainless steel screws
- Strain relief according to EN 62444
- IP54
- Integrated UL94-V0 gasket
- Removable divider for small or large grommets in the same frame

The DES LC24 is a split cable entry frame designed for quick and flexible routing of cables with or without connectors. It supports both small and large grommets of the SPC and SPN ranges, allowing multiple cable configurations. The frame features a pre-assembled gasket for direct mounting onto the cabinet, and is secured using stainless steel screws.

**Material:** PP+GF, halogen-free, silicone-free  
**Flammability:** self-extinguishing acc. to UL94-V0 including gasket  
**Temperature:** -40°C... +130°C (static)

### RELATED PRODUCTS

- SPC grommets (from page 58)
- SPN grommets (from page 63)
- DES FLAP CLICK (page 38)
- HY360 hydraulic punch driver (page 179)

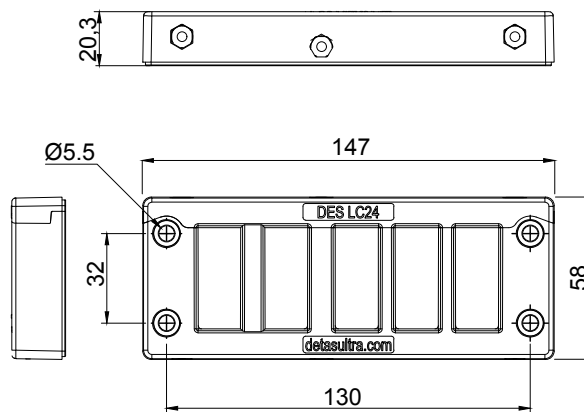


Model	Code	Some possible configurations	Cut-out (mm)	Pcs (/pack)
NEW DES LC24	1731010340		112 x 36	10
DES LC24/2	1731010342		112 x 36	

### ON REQUEST

Mounting screws	1731991020	Set of 4 mounting screws in AISI304 with Black Geomet finishing
-----------------	------------	---

### Dimensions (mm)



IP54

NEMA 12



IK10



**NEW**

# DES LC16

Splittable frame for cables with and without connectors

## FEATURES

- For SPC and SPN grommets
- Stainless steel screws
- Strain relief according to EN 62444
- IP54
- Integrated UL94-V0 gasket
- Removable divider for small or large grommets in the same frame

The DES LC16 is a split cable entry frame designed for quick and flexible routing of cables with or without connectors. It supports both small and large grommets of the SPC and SPN ranges, allowing multiple cable configurations. The frame features a pre-assembled gasket for direct mounting onto the cabinet, and is secured using stainless steel screws.

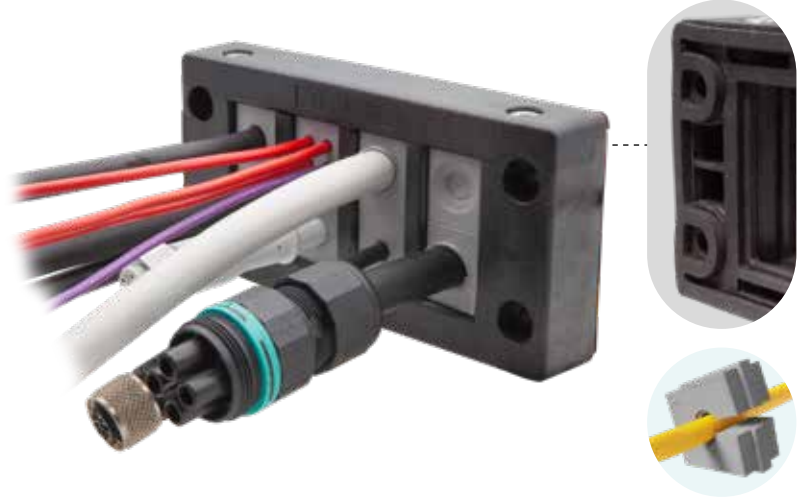
**Material:** PP+GF, halogen-free, silicone-free

**Flammability:** self-extinguishing acc. to UL94-V0 including gasket

**Temperature:** -40°C... +130°C (static)

## RELATED PRODUCTS

- SPC grommets (from page 58)
- SPN grommets (from page 63)
- HY360 hydraulic punch driver (page 179)



Model	Code	Some possible configurations	Cut-out (mm)	Pcs (/pack)
-------	------	------------------------------	--------------	-------------

NEW	DES LC16	1731010344		86 x 36	10
	DES LC16/2	1731010346		86 x 36	

## ON REQUEST

Mounting screws	1731991020	Set of 4 mounting screws in AISI304 with Black Geomet finishing
-----------------	------------	---

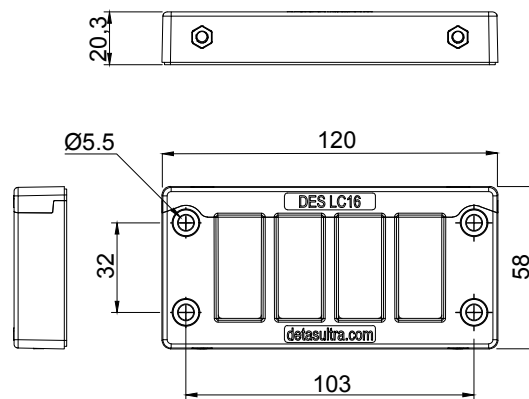
DES LC16



DES LC16/2



## Dimensions (mm)



IP54

NEMA 12



IK10

# DES LC10

NEW



Splittable frame for cables with and without connectors

## FEATURES

- For SPC and SPN grommets
- Stainless steel screws
- Strain relief according to EN 62444
- IP54
- Integrated UL94-V0 gasket
- Removable divider for small or large grommets in the same frame

The DES LC10 is a split cable entry frame designed for quick and flexible routing of cables with or without connectors. It supports both small and large grommets of the SPC and SPN ranges, allowing multiple cable configurations. The frame features a pre-assembled gasket for direct mounting onto the cabinet, and is secured using stainless steel screws.

**Material:** PP+GF, halogen-free, silicone-free  
**Flammability:** self-extinguishing acc. to UL94-V0 including gasket  
**Temperature:** -40°C... +130°C (static)

## RELATED PRODUCTS

- SPC grommets (from page 58)
- SPN grommets (from page 63)
- HY360 hydraulic punch driver (page 179)



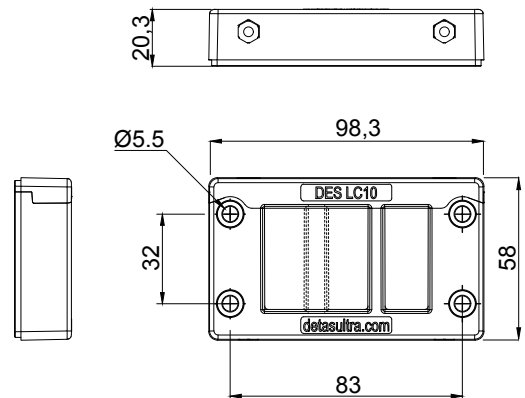
Model	Code	Some possible configurations	Cut-out (mm)	Pcs (/pack)
-------	------	------------------------------	--------------	-------------

NEW	DES LC10	1731010348		65 x 36	10
-----	----------	------------	--	---------	----

## ON REQUEST

Mounting screws	1731991020	Set of 4 mounting screws in AISI304 with Black Geomet finishing
-----------------	------------	---

## Dimensions (mm)



IP54

NEMA 12



IK10



# DES LCQ

## Splittable frame for cables with and without connectors

### FEATURES

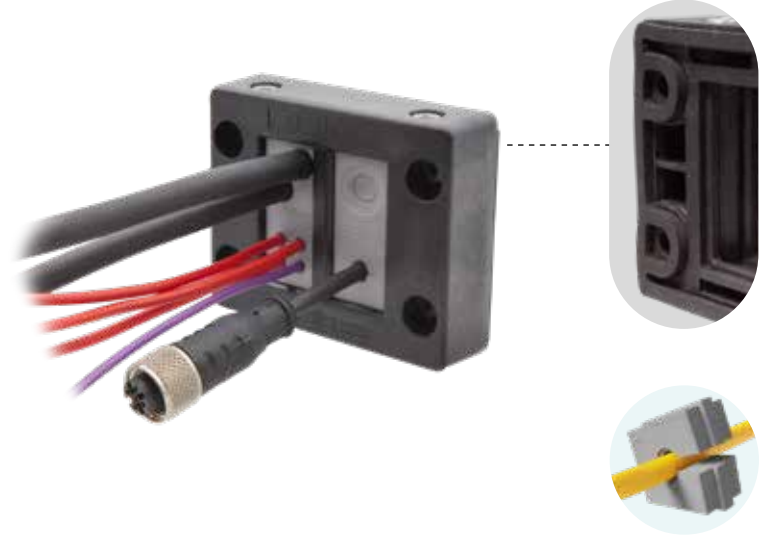
- For SPC and SPN grommets
- Stainless steel screws
- Strain relief according to EN 62444
- IP54
- Integrated UL94-V0 gasket
- Removable divider for small or large grommets in the same frame

The DES LCQ is a split cable entry frame designed for quick and flexible routing of cables with or without connectors. It supports both small and large grommets of the SPC and SPN ranges, allowing multiple cable configurations. The frame features a pre-assembled gasket for direct mounting onto the cabinet, and is secured using stainless steel screws.

**Material:** PP+GF, halogen-free, silicone-free  
**Flammability:** self-extinguishing acc. to UL94-V0 including gasket  
**Temperature:** -40°C... +130°C (static)

### RELATED PRODUCTS

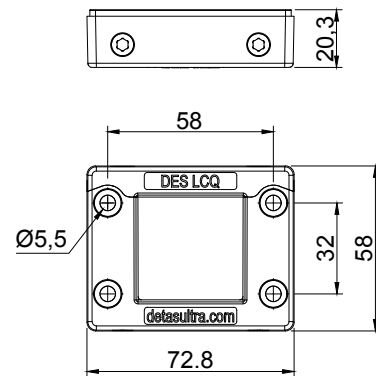
- SPC grommets (from page 58)
- SPN grommets (from page 63)
- HY360 hydraulic punch driver (page 179)



Model	Code	Some possible configurations	Cut-out (mm)	Pcs (/pack)
DES LCQ	1731010350		40 x 36	10

ON REQUEST		
Mounting screws	1731991020	Set of 4 mounting screws in AISI304 with Black Geomet finishing

### Dimensions (mm)



IP54

NEMA 12



IK10



# DES LC2 / LC3 / LC4 / LC5



## Splittable frame for cables with and without connectors

### FEATURES

- For SPC grommets
- Stainless steel screws
- Strain relief according to EN 62444
- IP54
- Integrated UL94-V0 gasket

The DES LC2, LC3, LC4 and LC5 splittable frames family are compatible with single, double and quadruple SPC grommets and they can accommodate up to 20 cables with or without connectors with diameters from 1 to 15 mm. The frame is firmly closed with screws while the nuts are overmolded. There's no need to install a separate gasket.

**Material:** PC+GF, halogen-free, silicone-free  
**Flammability:** self-extinguishing acc. to UL94-V0 including gasket  
**Temperature:** -40°C... +130°C (static)

### RELATED PRODUCTS

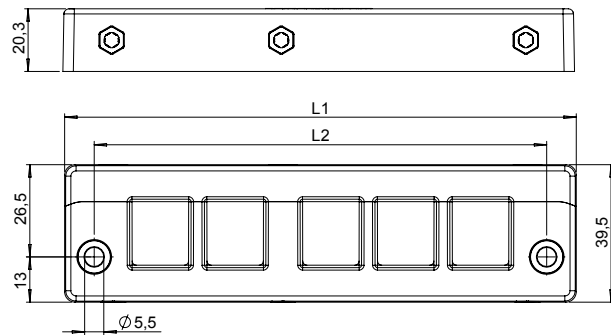
- SPC grommets (from page 58)



Model	Code	Some possible configurations	L1 (mm)	L2 (mm)	Cut-out (mm)	Pcs (/pack)
DES LC5	1731010335		147	130	110 x 20	10
DES LC4	1731010334		120	103	83 x 20	
DES LC3	1731010333		98,3	83	62 x 20	
DES LC2	1731010332		72,8	58,25	40 x 20	



### Dimensions (mm)



Model (upon request)	Code	Description
Mounting screws	1731991010	Set of 2 mounting screws in AISI304 with Black Geomet finishing



IP54

NEMA 12



IK10

1



# DES 24 CLICK



Splittable frame for cables with and without connectors

## FEATURES

- For SPC and SPL grommets
- Without screws, snap closing
- Strain relief according to EN 62444
- Compact size
- IP54
- External gasket acc. to UL94-V0
- Removable divider for small or large grommets in the same frame

The DES 24 CLICK splittable frame allows to accommodate up to 40 cables with or without connectors with diameters from 1 to 31 mm. The frame is firmly closed with two side hooks. The frame can hold 10 small grommets or 1 big grommet and 6 small grommets.

**Material:** PC+GF, halogen-free, silicone-free

**Flammability:** self-extinguishing acc. to UL94-V0 including gasket

**Temperature:** -40°C... +130°C (static)

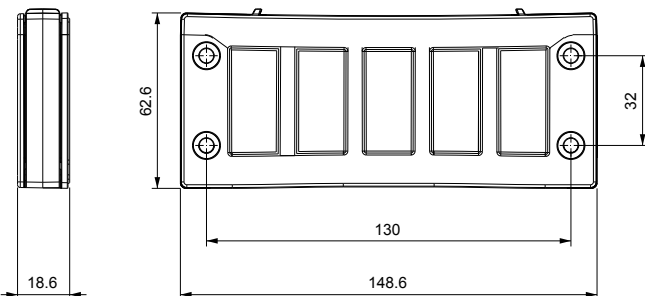
## RELATED PRODUCTS

- SPC grommets (from page 58)
- SPL grommets (from pages 61)
- HY360 hydraulic punch driver (page 179)
- DES FLAP CLICK (page 38)



Model	Code	Some possible configurations	Cut-out (mm)	Pcs (/pack)
DES 24 CLICK	1731010324		112 x 36	10
DES 24/2 CLICK	1731010326			
Upon request	1731991020	Set of 4 mounting screws in AISI304 with Black Geomet finishing		

## Dimensions (mm)



## Tutorial



DES 24/2 CLICK



IP54

NEMA 12



IK10



# DES 16 CLICK



Splittable frame for cables with and without connectors

## FEATURES

- For SPC and SPL grommets
- Without screws, snap closing
- Strain relief according to EN 62444
- Compact size
- IP54
- External gasket acc. to UL94-V0 included
- Removable divider for small or large grommets in the same frame



The DES 16 CLICK splittable frame allows to accommodate up to 32 cables with or without connectors with diameters from 1 to 32 mm. The frame is firmly closed with two side hooks. The frame can hold 8 small grommets or 1 big grommet and 4 small grommets.

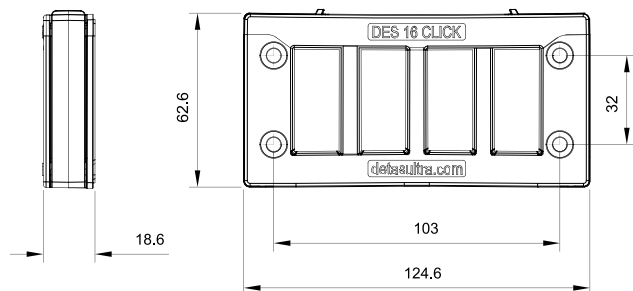
**Material:** PC+GF, halogen-free, silicone-free  
**Flammability:** self-extinguishing acc. to UL94-V0 including gasket  
**Temperature:** -40°C... +130°C (static)

## RELATED PRODUCTS

- SPC grommets (from page 58)
- SPL grommets (from pages 61)
- HY360 hydraulic punch driver (page 179)
- DES FLAP CLICK (page 38)

Model	Code	Some possible configurations	Cut-out (mm)	Pcs (/pack)
DES 16 CLICK	1731010316		86 x 36	10
DES 16/2 CLICK	1731010317			
Upon request	1731991020	Set of 4 mounting screws in AISI304 with Black Geomet finishing		

## Dimensions (mm)



## Tutorial



DES 16/2 CLICK



IP54

NEMA 12



IK10



# DES 10 CLICK



Splittable frame for cables with and without connectors

## FEATURES

- For SPC and SPL grommets
- Without screws, snap closing
- Strain relief according to EN 62444
- Compact size
- IP54
- External gasket acc. to UL94-V0 included
- Removable divider for small or large grommets in the same frame

The DES 10 CLICK splittable frame allows to accommodate up to 24 cables with or without connectors with diameters from 1 to 32 mm. The frame is firmly closed with two side hooks.

The frame can hold 6 small grommets or 1 big grommet and 2 small grommets.

**Material:** PC+GF, halogen-free, silicone-free

**Flammability:** self-extinguishing acc. to UL94-V0 including gasket

**Temperature:** -40°C... +130°C (static)

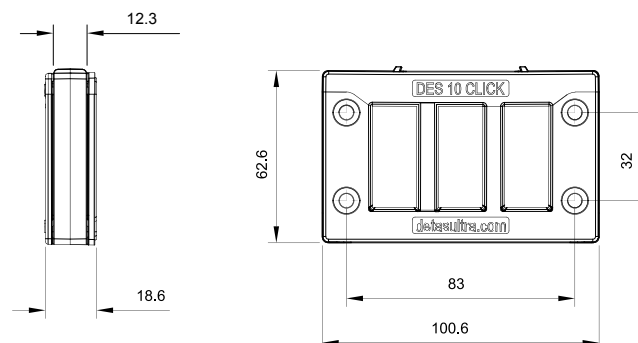
## RELATED PRODUCTS

- SPC grommets (from page 58)
- SPL grommets (from pages 61)
- HY360 hydraulic punch driver (page 179)
- DES FLAP CLICK (page 38)



Model	Code	Some possible configurations	Cut-out (mm)	Pcs (/pack)
DES 10 CLICK	1731010310		65 x 36	10
Upon request	1731991020	Set of 4 mounting screws in AISI304 with Black Geomet finishing		

## Dimensions (mm)



## Tutorial



IP54

NEMA 12



IK10



# DES Q CLICK



Splittable frame for cables with and without connectors

## FEATURES

- For SPC and SPL grommets
- Without screws, snap closing
- Strain relief according to EN 62444
- Compact size
- IP54
- External gasket acc. to UL94-V0 included
- Removable divider for small or large grommets in the same frame



The DES Q CLICK splittable frame allows to accommodate up to 16 cables with or without connectors with diameters from 1 to 32 mm. The frame is firmly closed with two side hooks. The same frame can hold 4 small grommets or 1 big grommet .

**Material:** PC+GF, halogen-free, silicone-free

**Flammability:** self-extinguishing acc. to UL94-V0 including gasket

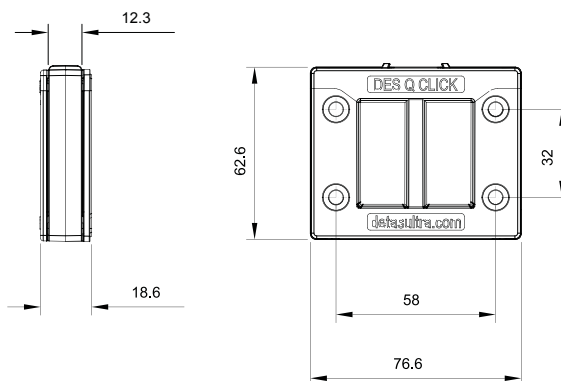
**Temperature:** -40°C... +130°C (static)

## RELATED PRODUCTS

- SPC grommets (from page 58)
- SPL grommets (from pages 61)
- HY360 hydraulic punch driver (page 179)
- DES FLAP CLICK (page 38)

Model	Code	Some possible configurations	Cut-out (mm)	Pcs (/pack)
DES Q CLICK	1731010308		40 x 36	10
Upon request	1731991020	Set of 4 mounting screws in AISI304 with Black Geomet finishing		

## Dimensions (mm)



## Tutorial



IP54

NEMA 12



IK10



# DES 380M



Modular frame for large-diameter cables or corrugated conduits

## FEATURES

- Fast and easy fixing of large-diameter cables and corrugated conduits
- Diameters from 36 to 65 mm
- Free installation on 4 sides
- IP54
- Sturdy construction IK10
- No need of gasket
- AISI 304 screws

The DES 380 splittable frame family includes the DES 380M and MX and it is a modular solution for big size cables and corrugated conduits installations on electrical cabinets or machinery.

The system allows cable or corrugated conduits with diameter from 36 to 65 mm diameter to be secured in the cabinet entrance with fast and strain relief fixing. The DES 380M is the base product for increasing the number of cables thanks to the modular capabilities of the 380 MX system.

**Material:** PP+GF, halogen-free, silicone-free


**Flammability:** self-extinguishing acc. to UL94-V0

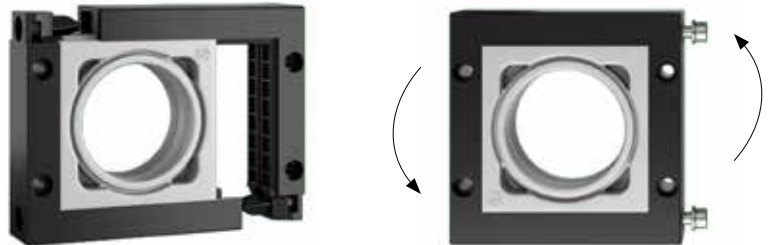
**Temperature:** -40°C... +155°C (static)

## RELATED PRODUCTS

- SPH grommets (page 79)
- PF/PFX cable entry system plates (from page 181)

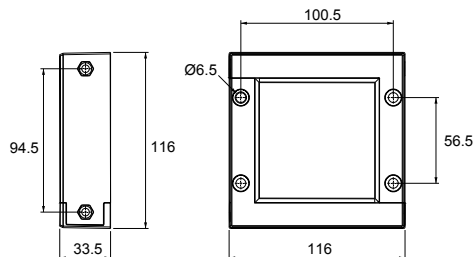


Model	Code	Dimensions L x H (mm)	Max. cut-out (mm)	Pcs (/pack)
 <b>DES 380M</b>	1731010270	116 x 116	72 x 72	1



## Dimensions (mm)

## Tutorial



IP54

NEMA 12



ECOLAB



IK10



# DES 380MX



Modular frame for large-diameter cables or corrugated conduits

## FEATURES

- Fast and easy fixing of large-diameter cables and corrugated conduits
- Modular, limitless solution
- Diameters from 36 to 65 mm
- Horizontal or vertical installation
- IP54
- No need of gasket
- AISI 304 screws

The splittable DES 380MX frames are used for routing large-diameter cables and corrugated conduits through electric, machinery or main cabinets.

The solution is modular meaning that the customer can buy the 4 frames solution for using them for 4 or less cables. Then he can add an accessory and increase easily the number of cables limitless.

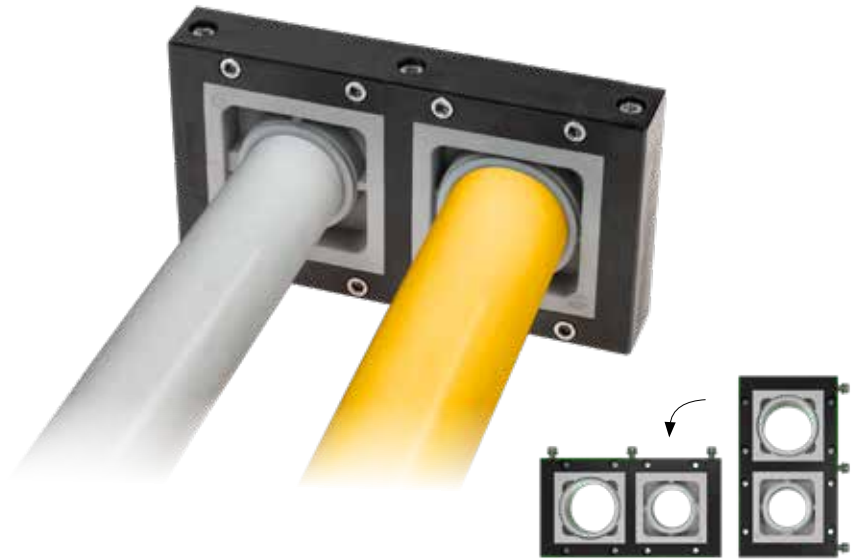
**Material:** PP+GF, halogen-free, silicone-free




**Flammability:** self-extinguishing acc. to UL94-V0

**Temperature:** -40°C... +155°C (static)

## RELATED PRODUCTS

- SPH grommets (page 79)
- PF/PFX cable entry system plates (from page 181)

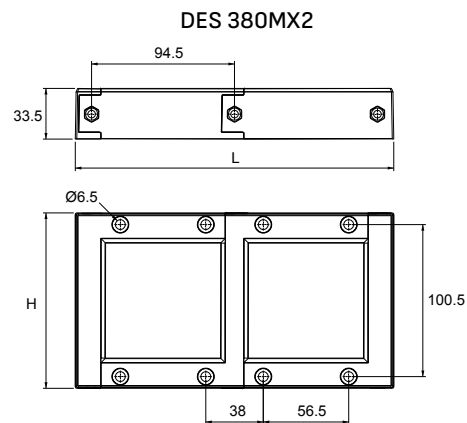


Model	Code	Dimensions L x H (mm)	Max. cut-out (mm)	Pcs (/pack)
DES 380MX2 	1731010272	210,5 x 116	166,5 x 72	
DES 380MX3 	1731010273	305 x 116	261 x 72	1
DES 380MX4 	1731010274	399,5 x 116	355,5 x 72	

Other models upon request



## Dimensions (mm)



## Tutorial



IP54

NEMA  
12



ECOLAB



RoHS  
COMPLIANT

IK10



# DES COVER



Sealing plates for DES series



## FEATURES

- Fast installation
- Gasket acc. to UL94-V0 included
- Same holes position of the DES Systems
- IP66

The DES COVER plates allow to protect the unused gaps in the cabinet, avoiding contact with the outer environment.

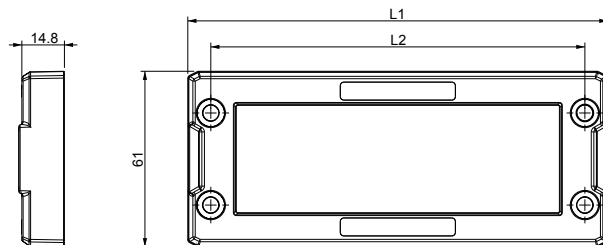
**Material:** PC, halogen-free, silicone-free  
**Flammability:** self-extinguishing acc. to UL94-V0  
**Temperature:** -40°C... +155°C (static)

## RELATED PRODUCTS

- DES 24
- DES 16
- DES 10
- DES Q

Model	Code	Dimensions (mm)		Pcs (/pack)
		L1	L2	
DES COVER 24	1731032024	146	130	10
DES COVER 16	1731032016	120	103	
DES COVER 10	1731032010	99	83	
DES COVER Q	1731032008	74	58	
Upon request	1731991020	Set of 4 mounting screws in AISI304 with Black Geomet finishing		

## Dimensions (mm)



IP66

NEMA 12

UL94-V0

UV ISO 4892-2A

RoHS COMPLIANT



# DES FLAP



Fast fixing solution for DES splittable frames



## FEATURES

- Snap fixing for the DES Series
- Gasket included
- Same holes position of the DES Systems
- IP54

The DES FLAP series enables DES 24, 16, 10 and Q frames to be snap-fitted and it is particularly recommended in cases where cable replacement is frequently expected, speeding up assembly operations.

**Material:** PP+GF, halogen-free, silicone-free

**Flammability:** self-extinguishing acc. to UL94-V0

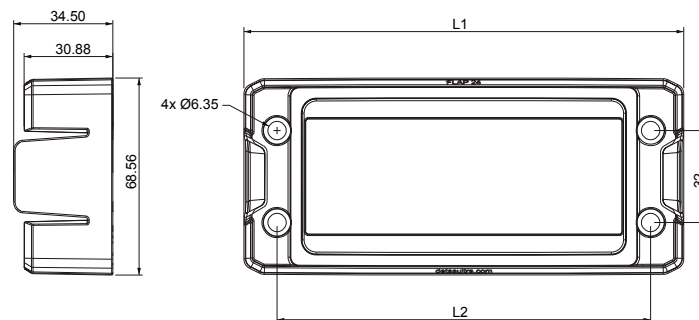
**Temperature:** -40°C... +155°C (static)

## RELATED PRODUCTS

- DES 24
- DES 16
- DES 10
- DES Q
- DES Cover (page 36)
- PF cable entry system plates (page 181)

Model	Code	Dimensions (mm)		Max. cut-out (mm)	Pcs (/pack)
		L1	L2		
DES FLAP 24	1731031024	153	130	112 x 36	10
DES FLAP 16	1731031016	127	103	86 x 36	
DES FLAP 10	1731031010	106	83	65 x 36	
DES FLAP Q	1731031008	81	58	40 x 36	

## Dimensions (mm)



## Tutorial



IP54

NEMA 12

UL TYPE 12



UL94-V0





# DES FLAP CLICK



Fast fixing solution for DES CLICK and DES LC split frames



## FEATURES

- Snap fixing for the DES CLICK and DES LC Series
- Gasket acc. to UL94-V0 included
- Same holes position of the DES Systems
- IP54

The DES FLAP CLICK series allows DES CLICK and LC frames (24, 16, 10, Q) to be snap-fitted, and is particularly recommended in applications where frequent cable replacement is expected, thereby speeding up assembly operations.

**Material:** PC+GF, halogen-free, silicone-free

**Flammability:** self-extinguishing acc. to UL94-V0

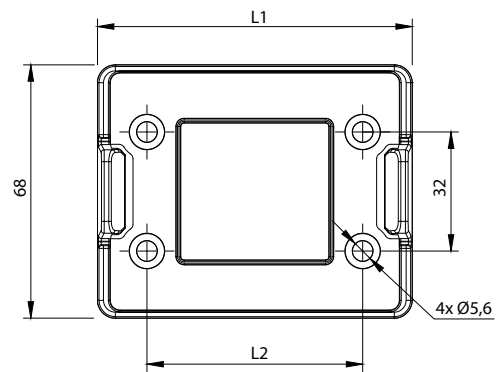
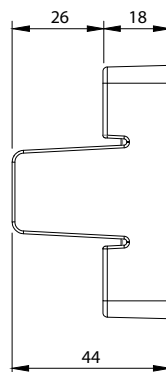
**Temperature:** -40°C... +155°C (static)

Model	Code	Dimensions (mm)		Max. cut-out (mm)	Pcs (/pack)
		L1	L2		
DES FLAP 24 CLICK	1731010424	156,6	130	112 x 36	10
DES FLAP 16 CLICK	1731010416	132,6	103	86 x 36	
DES FLAP 10 CLICK	1731010410	109	83	65 x 36	
DES FLAP Q CLICK	1731010408	84,6	58	40 x 36	

## RELATED PRODUCTS

- DES 24 CLICK
- DES 16 CLICK
- DES 10 CLICK
- DES Q CLICK
- DES LC24
- DES LC16
- DES LC10
- DES LCQ

## Dimensions (mm)



IP54

NEMA 12

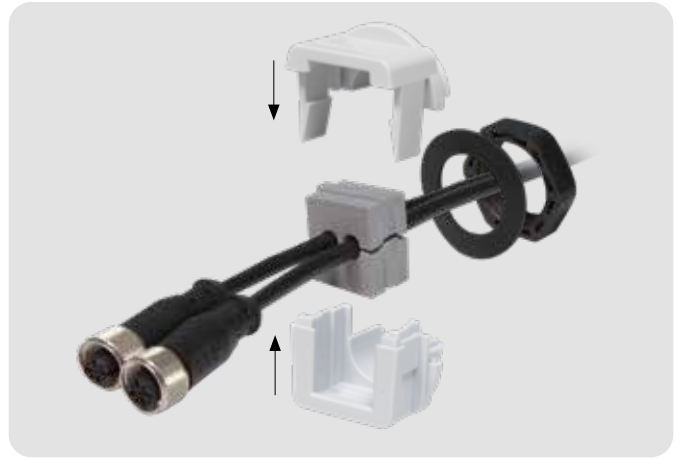
UL TYPE 12



# DIVISIBLE CABLE GLANDS

## OSF

- Snap mounting, no screws
- Versions with or without locknuts, with 90° cable entry
- M16, M20, M25, M32, M40, M50 and M63
- IP54
- For SPC & SPL grommets



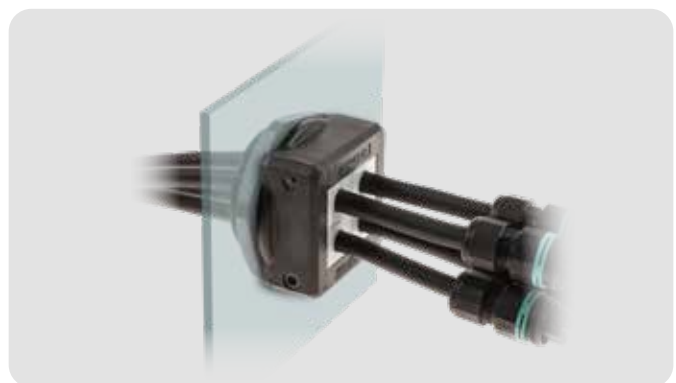
## DESCCLICK

- Snap mounting, no screws
- With Locknut
- M20, M25, M32, M32, M50
- IP54
- For SPP & SPG grommets



## DESPRED

- SS304 screws with geomet finishing
- With Locknut
- Up to 16 Cables
- M25 / M32 / M63
- IP66
- For SPP & SPG grommets





## Divisible cable glands with locknut

### FEATURES

- Metric sizes
- Without screws
- IP54
- Locknut and gasket included
- Available colors: grey and black

OSF is a divisible cable glands family with metric thread especially designed for cables with connectors.

The compact size and clean design are just a few of the countless advantages of the OSF Family.

OSF 16, 20, 25 and 32 can be equipped with SPC grommets with single or multiple holes.

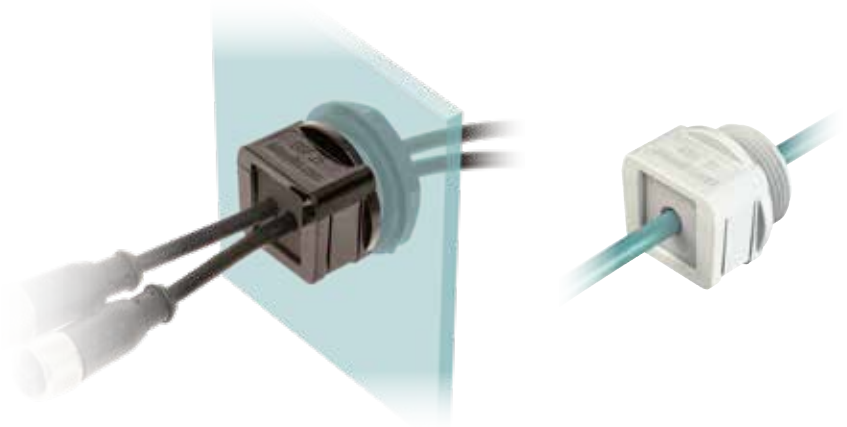
**Material:** PC, halogen-free, silicone-free

**Flammability:** self-extinguishing acc. to UL94-V0

**Temperature:** -40°C... +130°C (static)

### RELATED PRODUCTS

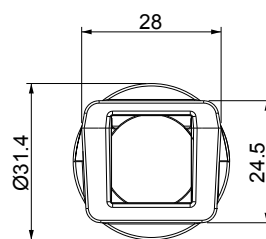
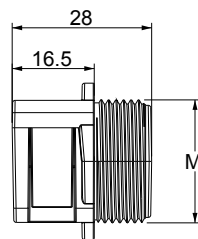
- Divisible locknuts (page 49)
- SPC grommets (from page 58)
- BROSF (page 166)
- HY360 hydraulic punch driver (page 179)



Model	Code	Max. grommet size			Max. cut-out (Ø mm)	Pcs (/pack)
<b>OSF 16G</b>	1731052316	SPC 10	SPC 2x4	SPC 4x4	16,5	10
<b>OSF 20G</b>	1731052320	SPC 14	SPC 2x5	SPC 4x5	20,5	
<b>OSF 25G</b>	1731052325	SPC 14	SPC 2x7	SPC 4x6	25,5	
<b>OSF 32G</b>	1731052332	SPC 14	SPC 2x7	SPC 4x6	32,5	
<b>OSF 16B</b>	1731052416	SPC 10	SPC 2x4	SPC 4x4	16,5	
<b>OSF 20B</b>	1731052420	SPC 14	SPC 2x5	SPC 4x5	20,5	
<b>OSF 25B</b>	1731052425	SPC 14	SPC 2x7	SPC 4x6	25,5	
<b>OSF 32B</b>	1731052432	SPC 14	SPC 2x7	SPC 4x6	32,5	



### Dimensions (mm)



### Tutorial



IP54

NEMA 12



IK10



# OSF 40



## Divisible cable glands with locknut

### FEATURES

- M40 metric size
- Without screws
- IP54
- Locknut and gasket included
- Available colors: grey and black

OSF 40 is a divisible cable gland with metric thread especially designed for cables with connectors. It can be equipped with SPC grommets with single or multiple holes. Is it possible to route up to 8 cables with connectors.

**Material:** PC, halogen-free, silicone-free

**Flammability:** self-extinguishing

acc. to UL94-V0

**Temperature:** -40°C... +130°C (static)

### RELATED PRODUCTS

- Divisible locknuts (page 49)
- SPC grommets (from page 58)
- HY360 hydraulic punch driver (page 179)



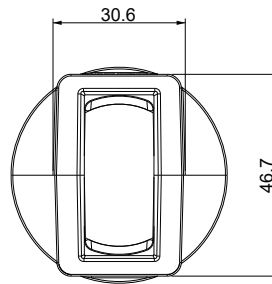
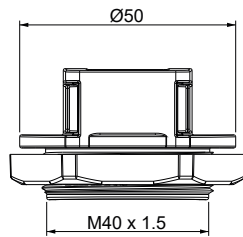
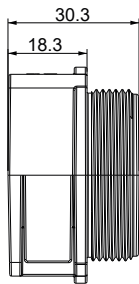
Model	Code	Max. grommet size			Max. cut-out (mm)	Pcs (/pack)
-------	------	-------------------	--	--	-------------------	-------------

		● ●	● ● ● ●	● ● ● ● ● ●		
<b>OSF 40G</b>	1731052340	SPC 14	SPC 2x7	SPC 4x6	40,5	10
<b>OSF 40B</b>	1731052440	SPC 14	SPC 2x7	SPC 4x6		

### Some possible configurations



### Dimensions (mm)



### Tutorial



IP54

NEMA 12



IK10



# OSF 50/63



## Divisible cable glands with locknut

### FEATURES

- M50 and M63 metric size
- Without screws
- IP54
- Locknut and gasket included
- Suitable for small or big grommets
- Available colors: grey and black



OSF 50 and OSF 63 are divisible cable glands with metric thread especially designed for cables with connectors.

They allow to route up to 16 cables with connectors.

OSF 50 and OSF 63 can hold in the same frame SPC grommets with single or multiple holes from 1 to 14 mm diameter or SPL grommets from 12 to 29 mm diameter.

**Material:** PC, halogen-free, silicone-free

**Flammability:** self-extinguishing acc. to UL94-V0

**Temperature:** -40°C... +130°C (static)

### RELATED PRODUCTS

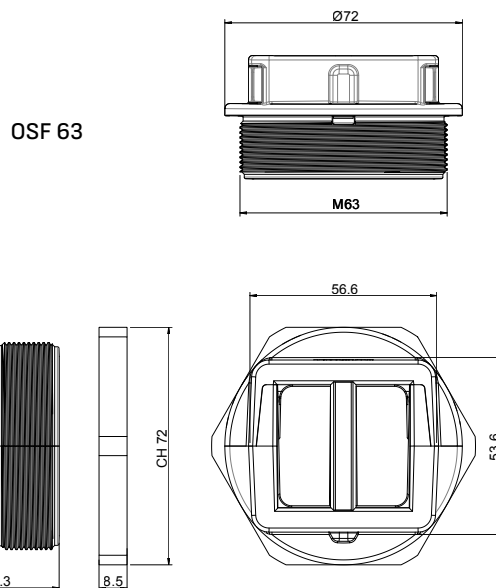
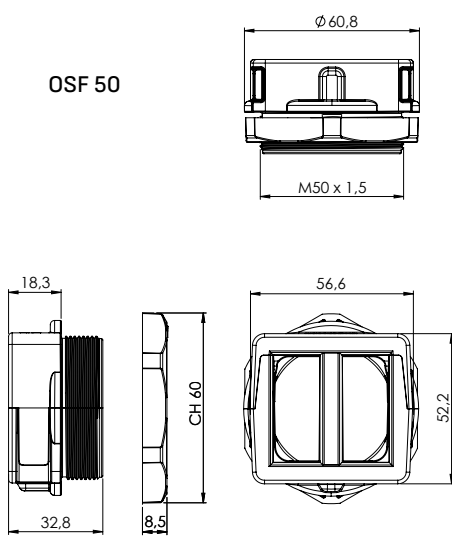
- SPC grommets (from page 58)
- SPL grommets (from page 61)
- HY360 hydraulic punch driver (page 179)
- Divisible locknuts (page 49)

Model	Code	Max. cut-out (mm)	Max. grommet size				Pcs (/pack)
OSF 50G	1731052350	50,5	SPC 14	SPC 2 x 6	SPC 4 x 6	SPL 29	10
OSF 63G	1731052363	63,5	SPC 14	SPC 2 x 6	SPC 4 x 6	SPL 29	
OSF 50B	1731052450	50,5	SPC 14	SPC 2 x 6	SPC 4 x 6	SPL 29	
OSF 63B	1731052460	63,5	SPC 14	SPC 2 x 6	SPC 4 x 6	SPL 29	

**Some possible configurations**

### Dimensions (mm)

### Tutorial



IP54

NEMA 12



IK10

### FEATURES

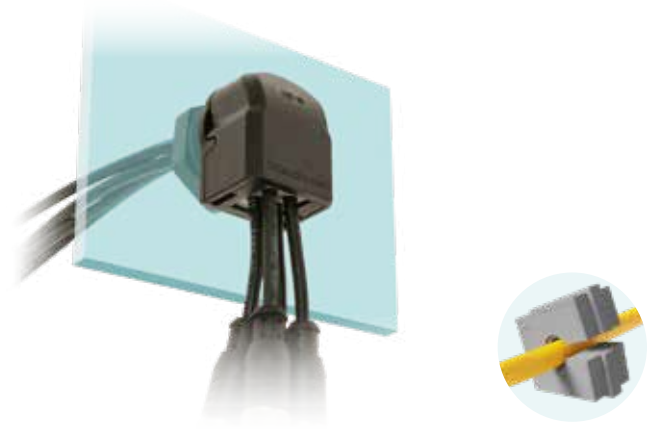
- 90° cable entry system
- Without screws
- IP54
- Locknut included
- Available colors: grey and black

OSF90 is a 90° divisible cable gland with metric thread especially designed for cables with connectors. The 90° entry systems protects the cables from frontal damage and provides an elegant design. OSF 90 can be equipped with SPC grommets with single or multiple holes for both black and grey UL94V0 colors.

**Material:** PC, halogen-free, silicone-free  
**Flammability:** self-extinguishing acc. to UL94-V0  
**Temperature:** -40°C... +130°C (static)

### RELATED PRODUCTS

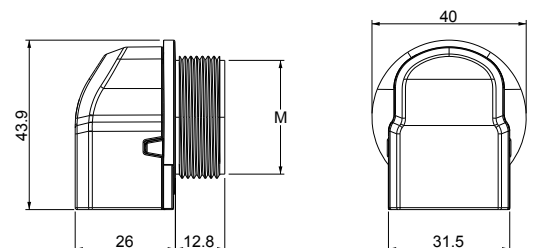
- SPC grommets (from page 58)
- HY360 hydraulic punch driver (page 179)
- Divisible locknuts (page 49)



Model	Code	Max. grommet size			Max. cut-out (Ø mm)	Pcs (/pack)
		● ●	● ● ●	● ● ● ●		
OSF90 16G	1731052916	SPC 10	SPC 2x4	SPC 4x4	16,5	10
OSF90 20G	1731052920	SPC 13	SPC 2x5	SPC 4x5	20,5	
OSF90 25G	1731052925	SPC 13	SPC 2x7	SPC 4x6	25,5	
OSF90 32G	1731052932	SPC 13	SPC 2x7	SPC 4x6	32,5	
OSF90 16B	1731052917	SPC 10	SPC 2x4	SPC 4x4	16,5	
OSF90 20B	1731052921	SPC 13	SPC 2x5	SPC 4x5	20,5	
OSF90 25B	1731052926	SPC 13	SPC 2x7	SPC 4x6	25,5	
OSF90 32B	1731052933	SPC 13	SPC 2x7	SPC 4x6	32,5	

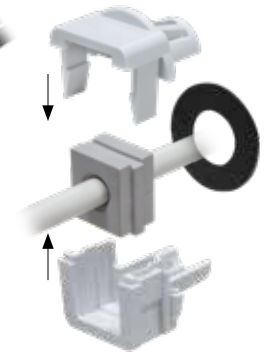
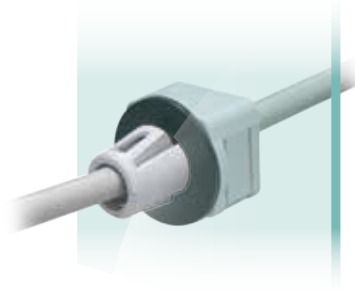
### Dimensions (mm)

Cable bend radius max. 10 mm





## Divisible cable glands with snap mounting



### FEATURES

- Without screws
- Snap mounting without locknut
- Wall thickness from 1,2 to 3 mm
- Gasket included
- IP54
- Grey or black version

OSF ZIP is a divisible cable glands family for metric holes especially designed for cables with connectors. The installation can be only frontal since no locknut is required. OSF ZIP can be equipped with SPC grommets with single, double or quadruple holes from 1 to 14 mm diameter. The product can be disassembled without tools.

**Material:** PC, halogen-free, silicone-free

**Flammability:** self-extinguishing acc. to UL94-V0

**Temperature:** -40°C... +130°C (static)

### RELATED PRODUCTS

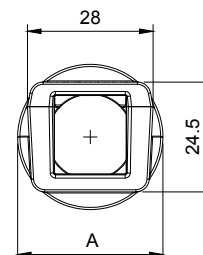
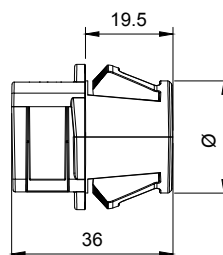
- SPC grommets (from page 58)
- HY360 hydraulic punch driver (page 179)

Model	Code	Max. grommet size	Ø (mm)	A (mm)	Max. cut-out (Ø mm)	Pcs (/pack)
-------	------	-------------------	--------	--------	---------------------	-------------



<b>OSF ZIP N16G</b>	1731052860	SPC 10	SPC 2x4	SPC 4x3	16	31,4	16,5	10
<b>OSF ZIP N20G</b>	1731052862	SPC 14	SPC 2x5	SPC 4x5	20	31,4	20,5	
<b>OSF ZIP N25G</b>	1731052864	SPC 14	SPC 2x7	SPC 4x6	25	32,4	25,5	
<b>OSF ZIP N32G</b>	1731052866	SPC 14	SPC 2x7	SPC 4x6	32	40,6	32,5	
<b>OSF ZIP N16B</b>	1731052870	SPC 10	SPC 2x4	SPC 4x3	16	31,4	16,5	
<b>OSF ZIP N20B</b>	1731052872	SPC 14	SPC 2x5	SPC 4x5	20	31,4	20,5	
<b>OSF ZIP N25B</b>	1731052874	SPC 14	SPC 2x7	SPC 4x6	25	32,4	25,5	
<b>OSF ZIP N32B</b>	1731052876	SPC 14	SPC 2x7	SPC 4x6	32	40,6	32,5	

### Dimensions (mm)



### Tutorial



IP54

NEMA 12



IK10



# DESCCLICK



## Divisible cable glands with locknut

### FEATURES

- Without screws
- Metric sizes: M20, M25 and M32
- Strain relief according to EN 62444
- Sturdy construction IK10
- IP54
- Locknut and gasket included
- Grey or black version

DESCCLICK is a metric, divisible cable glands family for cables with and without connectors.

DESCCLICK models can be equipped with SPP grommets with single, double or quadruple holes from 2 to 16 mm diameter.

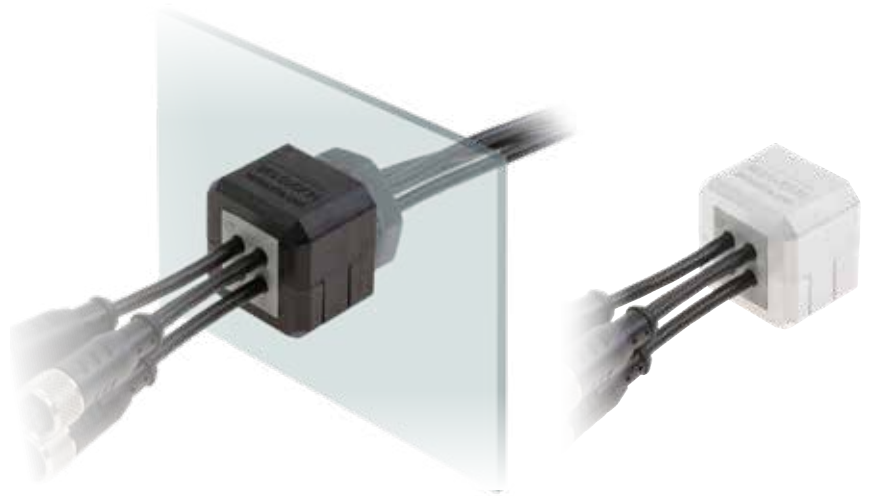
**Material:** PC, halogen-free, silicone-free

**Flammability:** self-extinguishing acc. to UL94-V0

**Temperature:** -40°C... +130°C (static)

### RELATED PRODUCTS

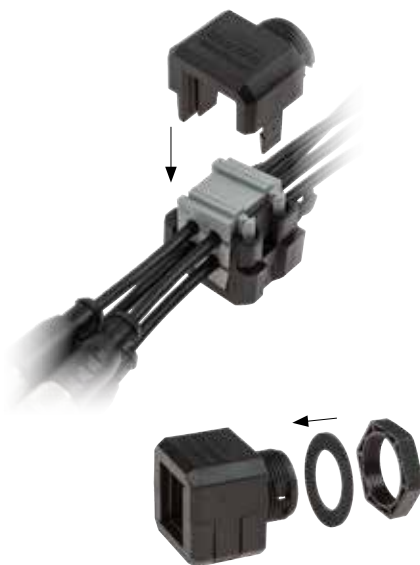
- SPP grommets (from page 65)
- HY360 hydraulic punch driver (page 179)
- Divisible locknuts (page 49)



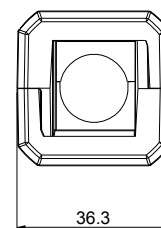
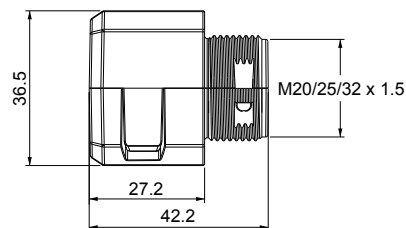
Model	Code	Max. grommet size	Max. cut-out (Ø mm)	Pcs (/pack)
-------	------	-------------------	---------------------	-------------



<b>DESCCLICK 20B</b>	1731051020	SPP 12	SPP 2x5	SPP 4x2	20,5	10
<b>DESCCLICK 25B</b>	1731051025	SPP 16	SPP 2x6	SPP 4x4	25,5	
<b>DESCCLICK 32B</b>	1731051032	SPP 16	SPP 2x7	SPP 4x6	32,5	
<b>DESCCLICK 20G</b>	1731051320	SPP 12	SPP 2x5	SPP 4x2	20,5	
<b>DESCCLICK 25G</b>	1731051325	SPP 16	SPP 2x6	SPP 4x4	25,5	
<b>DESCCLICK 32G</b>	1731051332	SPP 16	SPP 2x7	SPP 4x6	32,5	



### Dimensions (mm)



### Tutorial



IP54

NEMA 12

UL TYPE 12

UL94-V0



RoHS COMPLIANT

IK10



# DESCCLICK 50

Divisible cable glands with locknut



## FEATURES

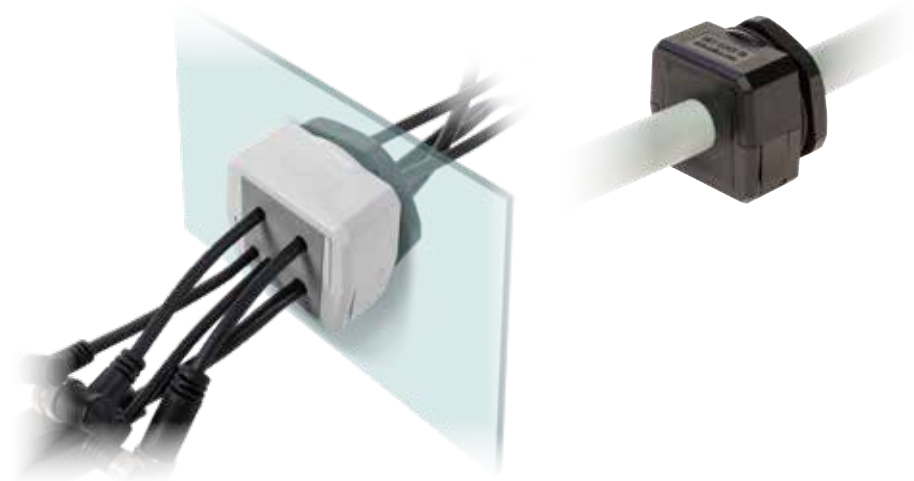
- Without screws
- Strain relief according to EN 62444
- M50 metric size
- Sturdy construction IK10
- IP54

DESCCLICK 50 is a divisible cable gland with M50 thread. It includes the M50 nut. DESCCLICK 50 can be equipped with SPP and SPG grommets in all available versions.

**Material:** PC, halogen-free, silicone-free  
**Flammability:** self-extinguishing acc. to UL94-V0  
**Temperature:** -40°C... +130°C (static)

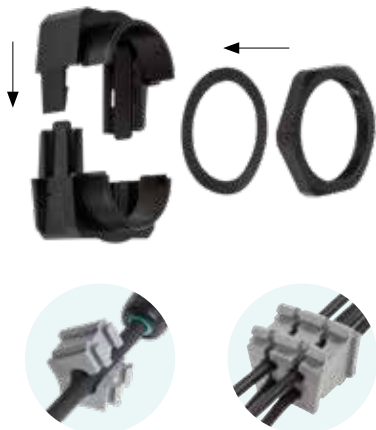
## RELATED PRODUCTS

- SPP grommets (from page 65)
- SPG grommets (from page 71)
- HY360 hydraulic punch driver (page 179)
- Divisible locknuts (page 49)

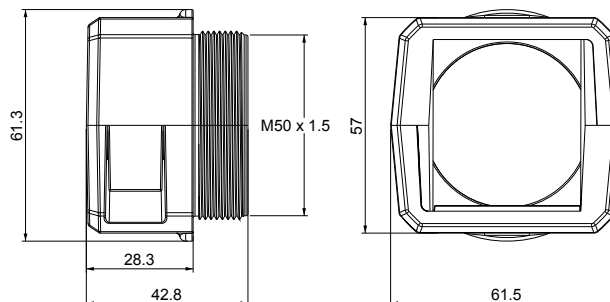


Model	Code	Max. grommet size				Max. cut-out (Ø mm)	Pcs (/pack)
<b>DESCCLICK 50B</b>	1731051050					50,5	10
<b>DESCCLICK 50G</b>	1731051350	SPP 15	SPP 2 x 6	SPP 4 x 3	SPG 34		

### Some possible configurations



## Dimensions (mm)



## Tutorial



IP54

NEMA 12

UL TYPE 12

UL94-V0



IK10



### FEATURES

- Frame screws in AISI304 Stainless Steel with Black Dacromet finishing
- M25, M32 and M63 metric sizes
- IP66 and NEMA 4X certified
- Strain relief according to EN 62444
- Sturdy construction IK10
- Integrated gasket
- ATEX version on request (Group 7)

The DESPRED series are divisible cable glands with metric thread.

The DESPRED 25 and 32 can be equipped with SPP grommets while the 63 can hold SPP and SPG grommets for cables up to to 34 mm diameter.

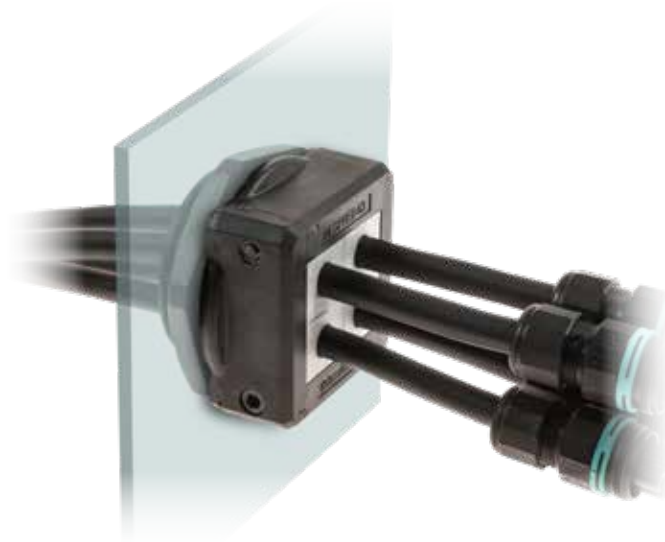
**Material:** PP+GF, halogen-free, silicone-free

**Flammability:** self-extinguishing acc. to UL94-V0

**Temperature:** -40°C... +155°C (static)

### RELATED PRODUCTS

- SPP grommets (from page 65)
- SPG grommets (from page 71)
- HY360 hydraulic punch driver (page 179)
- Divisible locknuts (page 49)
- EMCZ-M (pag. 168)

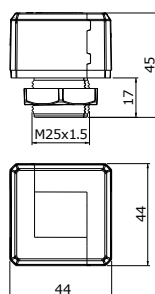


Model	Code	Some possible configurations	Max cut-out (Ø mm)	Pcs (/pack)
DESPRED 25	1731050025		25,5	10
DESPRED 32	1731050032		32,5	
DESPRED 63	1731050063		63,5	

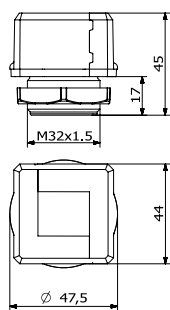
### Dimensions (mm)



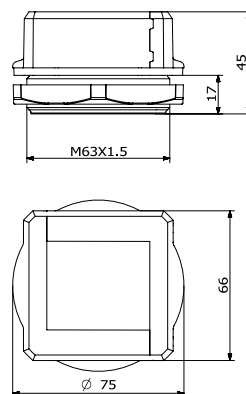
DESPRED 25



DESPRED 32



DESPRED 63



IP66

NEMA 12, 4X

UL TYPE 12, 4X\*  
\*indoor only



ECOLAB



RoHS COMPLIANT

IK10





# DESPRED 50-90



Divisible cable glands with locknut - 90° entry

## FEATURES

- Without screws
- Metric size
- Strain relief according to EN 62444
- IP54
- Sturdy construction IK10

DESPRED 50-90 is a M50 metric, divisible cable gland with a 90° entry. It works with small, multiple and large grommets for cables ranging from 2 to 17 mm diameter. The multiple grommets allow to accommodate up to 16 cables. Large grommets are used with corrugated conduits.

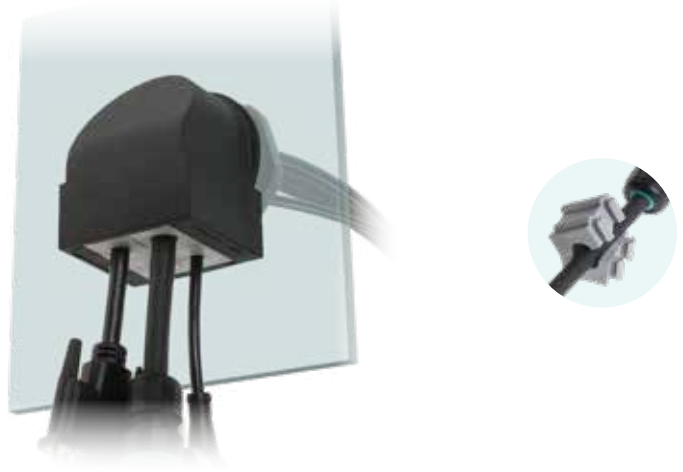
**Material:** PA+PC, halogen-free, silicone-free

**Flammability:** self-extinguishing acc. to UL94-V0

**Temperature:** -40°C... +130°C (static)

## RELATED PRODUCTS

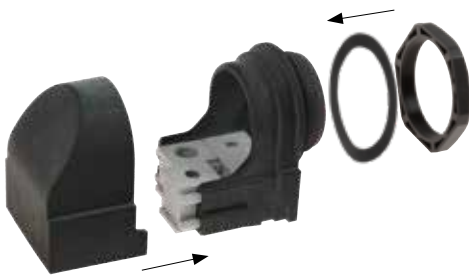
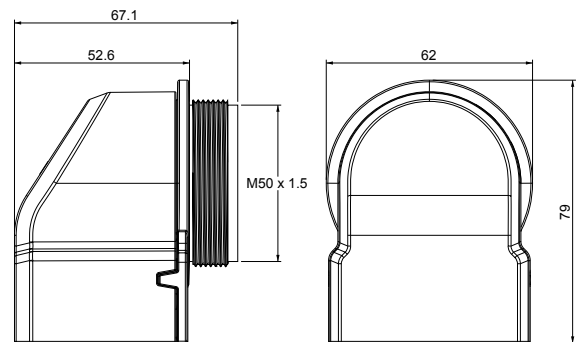
- SPP grommets (from page 65)
- SPG grommets (from page 71)
- HY360 hydraulic punch driver (page 179)
- Divisible locknuts (page 49)



Model	Code	Some possible configurations	Max. cut-out (Ø mm)	Pcs (/pack)
DESPRED 50-90	1731050250		50,5	10

## Dimensions (mm)

Cable bending radius:  
max. 10 mm



IP54

NEMA 12

UL TYPE 12



IK10



### FEATURES

- Divisible metric thread locknuts
- UL94-V0
- Black colour
- Recommended tightening torque 7 Nm

The DDMD divisible locknuts allow the pass through of connectors which are dimensionally larger than the conventional locknuts to be used with the original divisible cable gland. Six sizes are available, all for metric threads.

**Material:** PA66, halogen-free, silicone-free

**Flammability:** self-extinguishing acc. to UL94-V0

**Temperature:** -40°C... +120°C (static)

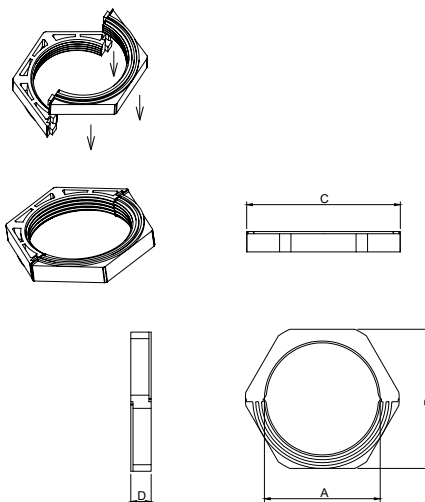
### RELATED PRODUCTS

- OSF
- OSF40
- OSF 90
- DESPRED
- DESPRED ZZ
- DESCCLICK
- DESCCLICK 50
- DESCCLICK Z



Model	Code	Thread	Pcs (/pack)
DDMD M20	1731253020	M20	1
DDMD M25	1731253025	M25	
DDMD M32	1731253032	M32	
DDMD M40	1731253040	M40	
DDMD M50	1731253050	M50	
DDMD M63	1731253063	M63	

### Dimensions (mm)



IK10



# DDM SUB-D9



## SUB-D9 locknut

### FEATURES

- Divisible metric thread locknuts, suitable to SUB-D9 connector (DVI, Profibus)
- UL94-V0
- Black colour
- Recommended tightening torque 8 Nm

This locknut allows the pass through of SUB-D9 connectors (DVI or PROFIBUS), in the case of using a M32 cable gland, simplify machinery wiring.

It is suitable for: DESCLICK 32, DESPRED 32, DESPRED ZZ 32, OSF 32.

**Material:** PA66, halogen-free, silicone-free

**Flammability:** self-extinguishing acc. to UL94-V0

**Temperature:** -40°C... +120°C (static)

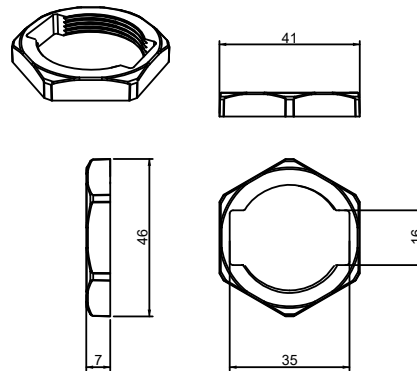
### RELATED PRODUCTS

- OSF
- OSF 90
- DESPRED
- DESPRED ZZ
- DESCLICK
- DESCLICK Z



Model	Code	Thread	Pcs (/pack)
DDM SUB-D9	1731052032	M32 locknut for SUB-D9	10

### Dimensions (mm)



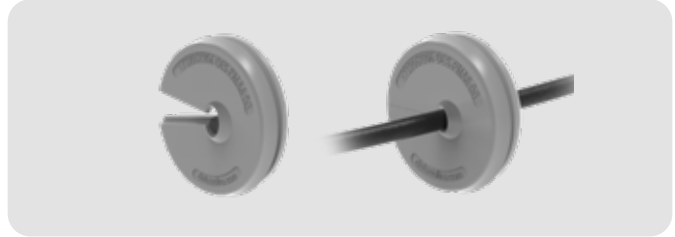
IK10

**NEW**

# DES PMA SERIES

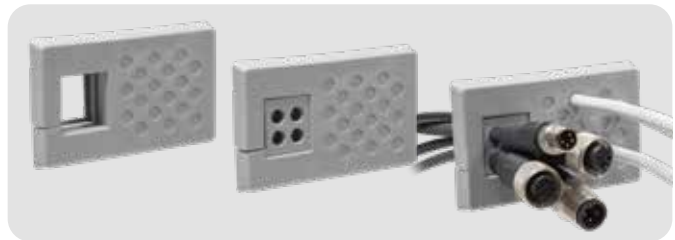
## DES PMA

- Snap mounting, no screws
- Multi-range cable grommet
- M32
- IP54



## DES PMA 10

- Snap mounting, no screws
- Entry plate for cables with or without connectors
- IP54



## DES PMAC 32

- Snap mounting, no screws
- Entry grommet for cables with connectors
- IP54



## DES PMAC 50

- Snap mounting, no screws
- Entry grommet for cables with connectors
- IP54



## DES PMAQ

- Snap mounting, no screws
- Entry grommet for cables with connectors
- IP54





NEW

# DES PMA

Round multi-range grommets for single cable with double membrane

## FEATURES

- For cable with or without connectors
- Multi range
- Cost-efficient solution
- IP54

The DES PMA is a multi-range cable grommet designed to route preterminated cables through walls with M32 metric cut-outs. The part is molded open and returns to its closed position after the cable has been inserted, while the simultaneous wall mounting guarantees mechanical and liquid tightness.

**Material:** TPE, halogen-free, silicone-free

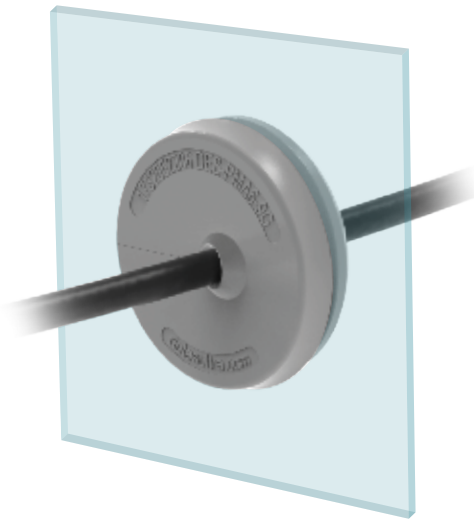
**Flammability:** self-extinguishing acc. to UL94-V0

**Temperature:** -40°C... +110°C (static)

**Wall thickness:** from 1,5 to 2,5 mm

## RELATED PRODUCTS

- ISP plugs (page 80)
- HY360 hydraulic punch driver (page 179)



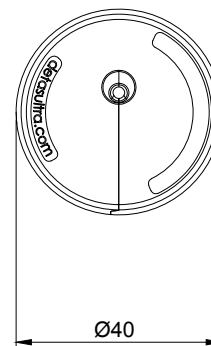
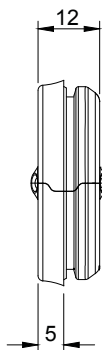
	Model	Code	Cut-out	Max Nr. Cables	Ø Cable min - max	Pcs (/pack)
NEW	DES PMA32 3-6	1732052203	M32	1	3 - 6	10
	DES PMA32 6-9	1732052206	M32	1	6 - 9	10

1

**NC:** Number of cables

**ØC:** Diameter of cables - max (mm)

## Dimensions (mm)



IP54



ECOLAB



RoHS COMPLIANT

# DES PMA 10

**NEW**



Cable entry plate for cables with and without connectors

## FEATURES

- For cables with and without connectors
- Quick installation
- Cost-effective solution
- IP54

The DES PMA 10 is a multiple cable grommet designed to route cables with and without connectors through walls with 10 poles connector opening. The part includes a slot for inserting an SPC grommet and also allows the routing of up to 18 cables with a diameter of 5 mm without connectors.



Model	Code	Cut-out (mm)	Max number of cables and layout		Pcs (/pack)
<b>DES PMA 10E</b>	1732052230	65x36	18	for cables without connectors	10
			4	for cable with connectors (check SPC grommets)	
<b>DES PMA 10D</b>	1732052235	65x36	6	for cables without connectors	
			8	for cable with connectors (check SPC grommets)	

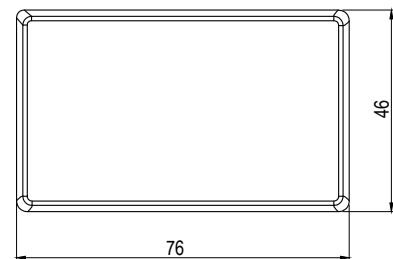
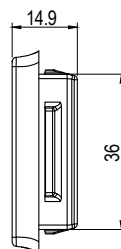
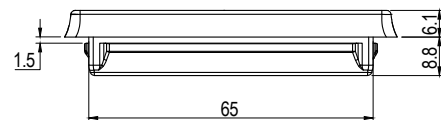


**Material:** TPE, halogen-free, silicone-free  
**Flammability:** self-extinguishing acc. to UL94-V0  
**Temperature:** -40°C... +110°C (static)  
**Wall thickness:** from 1,5 to 2,5 mm

## RELATED PRODUCTS

- SPC grommets (from page 58)
- ISP plugs (page 80)

## Dimensions (mm)



IP54



ECOLAB





NEW

# DES PMAC 32

Splittable grommet for cables with connectors

## FEATURES

- For single, double or quadruple SPC grommets
- Compact size
- Quick installation
- IP54

The PMAC 32 cable grommet system is designed to route preterminated cables through walls with M32 metric cut-outs. The PMAC 32 frame accommodates one single, double, or quadruple SPC grommets, allowing flexible cable configurations. The PMAC design simplifies installation, and once mounted, the front projection is only 6 mm.

**Material:** TPE, halogen-free, silicone-free

**Flammability:** self-extinguishing acc. to UL94-V0

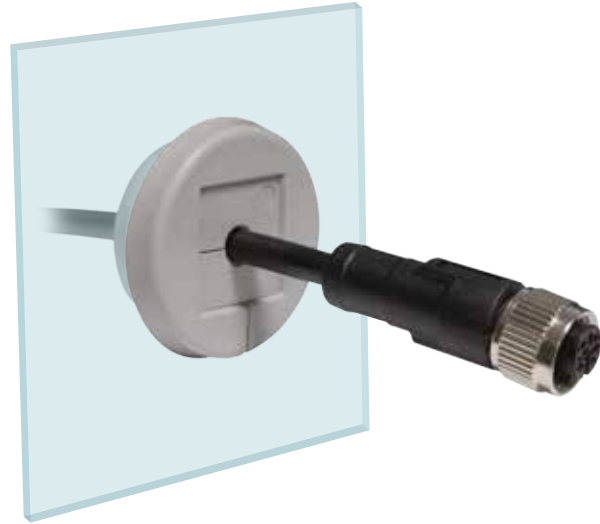
**Temperature:** -40°C... +110°C (static)

**Wall thickness:** from 1,5 to 2,5 mm

## RELATED PRODUCTS

- SPC grommets (from page 58)
- ISP plugs (page 80)
- HY360 hydraulic punch driver (page 179)

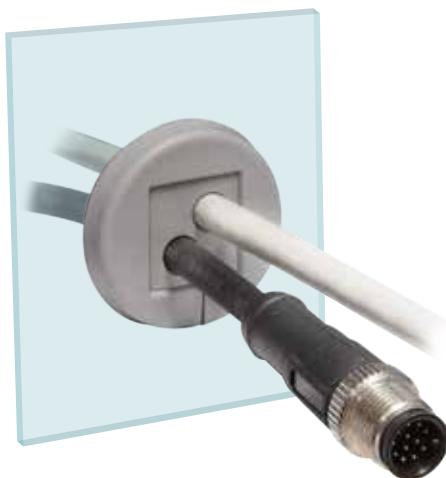
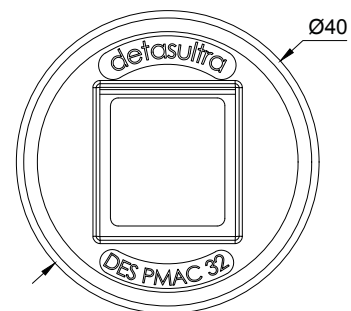
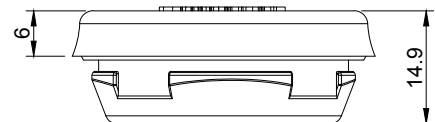
SPC grommets are sold separately



Model	Code	Cut-out	Max Nr. Cables	Ø Cable min - max	Pcs (/pack)
DES PMAC 32	1732052210	M32	4	1 - 15	10

NEW

## Dimensions (mm)



IP54



ECOLAB



RoHS COMPLIANT

# DES PMAC 50

NEW



Splittable grommet for cables with connectors

## FEATURES

- For 2 single, double or quadruple SPC grommets
- Compact size
- Quick installation
- IP54

The PMAC 50 cable grommet system is designed to route preterminated cables through walls with M50 metric cut-outs. The PMAC frame accommodates 2 single, double, or quadruple SPC grommets, allowing flexible cable configurations. The PMAC design simplifies installation, and once mounted, the front projection is only 6 mm.

**Material:** TPE, halogen-free, silicone-free

**Flammability:** self-extinguishing acc. to UL94-V0

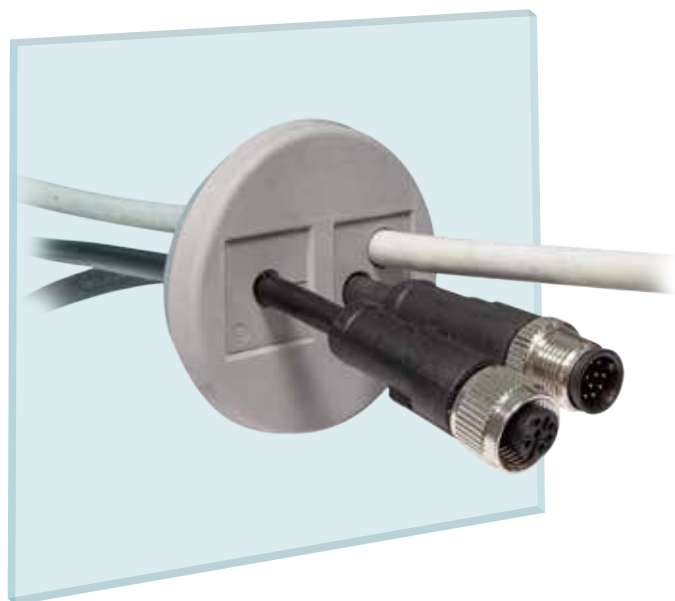
**Temperature:** -40°C... +110°C (static)

**Wall thickness:** from 1,5 to 2,5 mm

## RELATED PRODUCTS

- SPC grommets (page 58)
- ISP plugs (page 80)
- HY360 hydraulic punch driver (page 179)

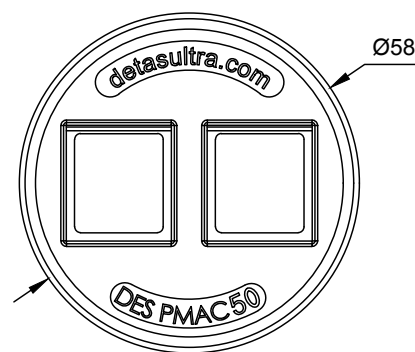
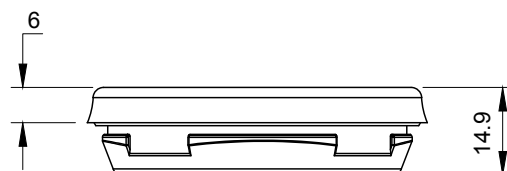
SPC grommets are sold separately



Model	Code	Cut-out	Max Nr. Cables	Ø Cable min - max	Pcs (/pack)
DES PMAC 50	1732052215	M50	8	1 - 15	10



## Dimensions (mm)



IP54



ECOLAB



RoHS COMPLIANT



NEW

# DES PMAQ

Splittable grommet for cables with connectors

## FEATURES

- For 4 single, double or quadruple SPC grommets
- Compact size
- Quick installation
- IP54

The PMAQ cable grommet system is designed to route preterminated cables through walls with squared cut-outs. The PMAQ frame accommodates 4 single, double, or quadruple SPC grommets, allowing flexible cable configurations. The PMAQ design simplifies installation, and once mounted, the front projection is only 6,6mm.

**Material:** TPE, halogen-free, silicone-free

**Flammability:** self-extinguishing acc. to UL94-V0

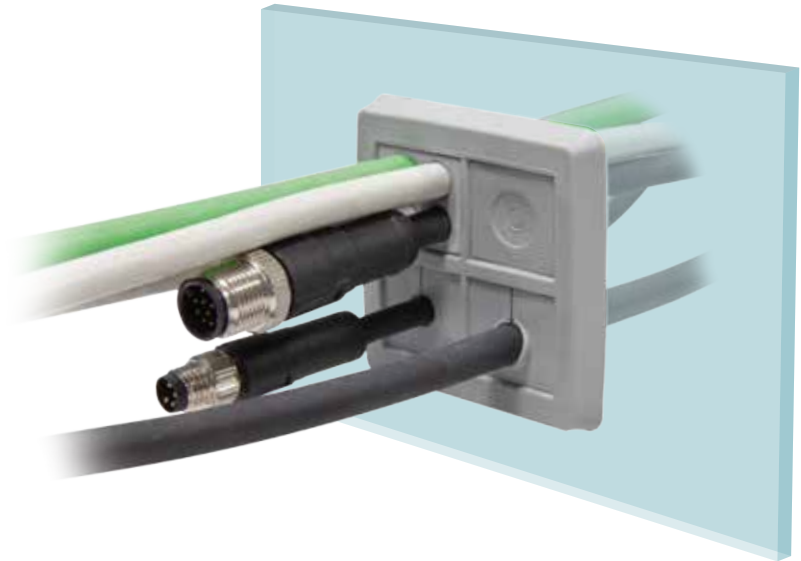
**Temperature:** -40°C... +105°C (static)

**Wall thickness:** from 1,5 to 2,5 mm

## RELATED PRODUCTS

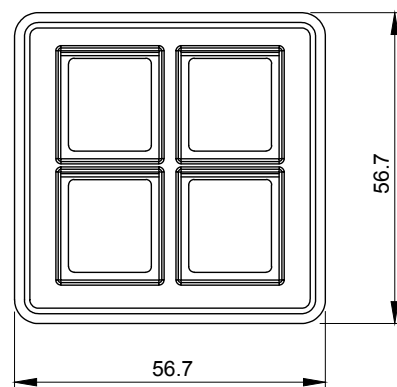
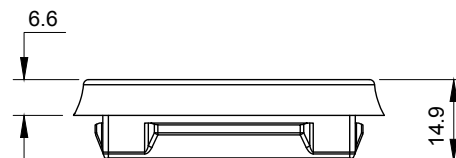
- SPC grommets (page 58)
- ISP plugs (page 80)
- HY360 hydraulic punch driver (page 179)

SPC grommets are sold separately



Model	Code	Cut-out (mm)	Max Nr. Cables	Ø Cable min - max	Pcs (/pack)
DES PMAQ	1732052220	46 x 46	16	1 - 15	10

## Dimensions (mm)



IP54



ECOLAB



RoHS COMPLIANT

# COMPATIBILITY BETWEEN GROMMETS AND FRAMES



	SPC	SPN	SPL	SPP	SPG	SPH
DES 24				●	●	
DES 16				●	●	
DE 10				●	●	
DES Q				●	●	
DES L1				●		
DES L2				●		
DES L3				●		
DES L4				●		
DES L5				●		
DES FT				●	●	
DES 24/90				●	●	
DES 24 CLEAN				●	●	
DES Q CLEAN				●	●	
DES LC24 - DES LC16	●	●				
DES LC10 - DES LCQ						
DES LC2 - DES LC3	●					
DES LC4 - DES LC5						
DES 24 CLICK	●		●			
DES 24/2 CLICK	●		●			
DES 16 CLICK	●		●			
DES 16/2 CLICK	●		●			
DES 10 CLICK	●		●			
DES Q CLICK	●		●			
DES 24M				●	●	
DES 24MX				●	●	
DES 24MX15				●	●	
DES 16M				●	●	
DES 16MX				●	●	
DES 380M						●
DES 380MX						●
OSF 16	●					
OSF 20	●					
OSF 25	●					
OSF 32	●					
OSF 40	●					
OSF 50	●		●			
OSF 63	●		●			
OSF90 16	●					
OSF90 20	●					
OSF90 25	●					
OSF90 32	●					
OSF ZIP 16	●					
OSF ZIP 20	●					
OSF ZIP 25	●					
OSF ZIP 32	●					
DESCCLICK 20				●		
DESCCLICK 25				●		
DESCCLICK 32				●		
DESCCLICK 50				●	●	
DESPRED 25				●		
DESPRED 32				●		
DESPRED 63				●	●	
DESPRED 50-90				●	●	

1



## Grommets single, double, quadruple for OSF, DES CLICK and DES LC



### FEATURES

- Openable cable grommets for diameters from 1 to 15 mm
- "Blind" version available
- Grey and black versions
- UL94-V0 for both colors

The SPC cable grommets are openable grommets which can be used into the OSF or DES "XX" CLICK and DES LC series to route preterminated cables with diameters from 1 to 15 mm.

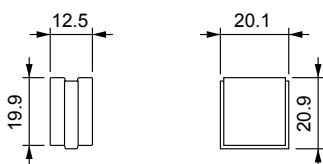
The 2x and 4x models can be used to significantly increase the cables quantity in the frame.

**Material:** TPE, halogen-free, silicone-free  
**Flammability:** self-extinguishing acc. to UL94-V0 (grey or black)  
**Temperature:** -40°C... +110°C (static)

### RELATED PRODUCTS

- OSF
- OSF 90
- OSF ZIP
- DES 24 CLICK
- DES 16 CLICK
- DES 10 CLICK
- DES Q CLICK
- DES LC

### Dimensions (mm)



Model	Code	Model	Code	Ø Cable (mm)	Pcs (/pack)
-------	------	-------	------	--------------	-------------

□		■			
	<b>SPC 0G</b>	1731052500	<b>SPC 0B</b>	1731052600	"Blind"
N	<b>SPC 1G</b>	1731052501	<b>SPC 1B</b>	1731052601	1-2
	<b>SPC 2G</b>	1731052502	<b>SPC 2B</b>	1731052602	2-3
	<b>SPC 3G</b>	1731052503	<b>SPC 3B</b>	1731052603	3-4
	<b>SPC 4G</b>	1731052504	<b>SPC 4B</b>	1731052604	4-5
	<b>SPC 5G</b>	1731052505	<b>SPC 5B</b>	1731052605	5-6
	<b>SPC 6G</b>	1731052506	<b>SPC 6B</b>	1731052606	6-7
	<b>SPC 7G</b>	1731052507	<b>SPC 7B</b>	1731052607	7-8
	<b>SPC 8G</b>	1731052508	<b>SPC 8B</b>	1731052608	8-9
	<b>SPC 9G</b>	1731052509	<b>SPC 9B</b>	1731052609	9-10
	<b>SPC 10G</b>	1731052510	<b>SPC 10B</b>	1731052610	10-11
	<b>SPC 11G</b>	1731052511	<b>SPC 11B</b>	1731052611	11-12
	<b>SPC 12G</b>	1731052512	<b>SPC 12B</b>	1731052612	12-13
	<b>SPC 13G</b>	1731052513	<b>SPC 13B</b>	1731052613	13-14
	<b>SPC 14G</b>	1731052514	<b>SPC 14B</b>	1731052614	14-15

□□		■■			
	<b>SPC 2x2G</b>	1731052522	<b>SPC 2x2B</b>	1731052622	2
	<b>SPC 2x3G</b>	1731052523	<b>SPC 2x3B</b>	1731052623	3
	<b>SPC 2x4G</b>	1731052524	<b>SPC 2x4B</b>	1731052624	4
	<b>SPC 2x5G</b>	1731052525	<b>SPC 2x5B</b>	1731052625	5
	<b>SPC 2x6G</b>	1731052526	<b>SPC 2x6B</b>	1731052626	6
	<b>SPC 2x7G</b>	1731052527	<b>SPC 2x7B</b>	1731052627	7

□□□		■■■			
	<b>SPC 4x2G</b>	1731052532	<b>SPC 4x2B</b>	1731052632	2
	<b>SPC 4x3G</b>	1731052533	<b>SPC 4x3B</b>	1731052633	3
	<b>SPC 4x4G</b>	1731052534	<b>SPC 4x4B</b>	1731052634	4
	<b>SPC 4x4,5G</b>	1731052537	<b>SPC 4x4,5B</b>	1731052637	4,5
	<b>SPC 4x5G</b>	1731052535	<b>SPC 4x5B</b>	1731052635	5
	<b>SPC 4x6G</b>	1731052536	<b>SPC 4x6B</b>	1731052636	6



IP54

NEMA 12



## SPC grommets with extended range

### FEATURES

- Multi-Range grommets for cables from 3 to 14 mm diameter
- IP54
- Grey and black colours available
- UL94-V0 for both colours

The SPC R family's extended range grommets allow cables with and without connectors to be routed through DES xx CLICK and OSF frames. Only three models are covering the diameters from 3 to 14 mm (R1...R4).

Thanks to the SPC R grommets, warehouse costs are minimised and installation times significantly reduced.

**Material:** TPE, halogen-free, silicone-free

**Flammability:** self-extinguishing acc. to UL94-V0 (grey or black)

**Temperature:** -40°C... +110°C (static)

### RELATED PRODUCTS

- OSF
- OSF 90
- OSF ZIP
- DES 24 CLICK
- DES 16 CLICK
- DES 10 CLICK
- DES Q CLICK
- DES LC

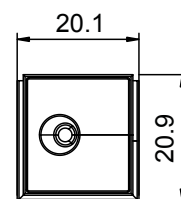
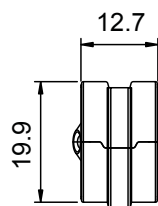


Model	Code	Model	Code	Ø Cable max (mm)	Pcs (/pack)
SPC R1G	1731053101	SPC R1B	1731053106	3-6	10
SPC R2G	1731053102	SPC R2B	1731053107	6-9	
SPC R3G	1731053103	SPC R3B	1731053108	9-12	
<b>NEW</b> SPC R4G	1731053104	<b>NEW</b> SPC R4B	1731053109	12-14	



**NEW SPC R4**

### Dimensions (mm)





# SPC K



## SPC grommets with extended range for cables without connectors

### FEATURES

- For cables without connectors with diameter from 2,5 to 14 mm
- "Blind" pierceable grommets
- Grey and black colours available
- UL94-V0 for both colours
- IP54



The SPC K grommets have a dual function: they can be used as single grommets for a cable without connector (cable diameter from 2.5 to 14mm depending on the model) or as "blind" grommet for future applications of cables without connectors. The double membrane guarantees high protection from water and dust together with a high strain relief function.

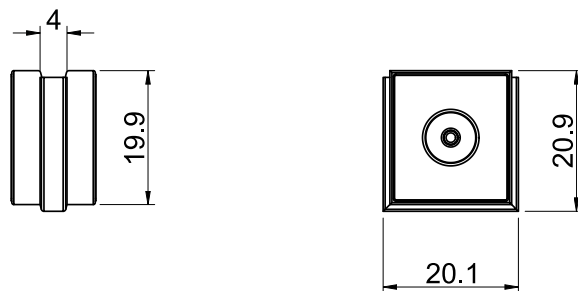
**Material:** TPE, halogen-free, silicone-free  
**Flammability:** self-extinguishing acc. to UL94-V0 (grey or black)  
**Temperature:** -40°C... +110°C (static)

### RELATED PRODUCTS

- DES 24 CLICK
- DES 16 CLICK
- DES 10 CLICK
- DES Q CLICK
- OSF
- OSF 90
- OSF ZIP
- DES LC
- UltraTray 4

Model	Code	Model	Code	Ø Cable max (mm)	Pcs (/pack)
SPC K1G	1731052550	SPC K1B	1731052650	8	10
SPC K2G	1731052555	SPC K2B	1731052652	11	
SPC K3G	1731052560	SPC K3B	1731052654	13	
SPC K4G	1731052565	SPC K4B	1731052656	14	

### Dimensions (mm)



IP54

NEMA 12



UL TYPE 12

## SPL grommets - large with extended range

### FEATURES

- Large grommets for cables from 11,5 to 31 mm diameter
- Suitable for OSF 50/63 and DES CLICK Frames
- "Blind" version available
- Grey and black colours available
- UL94-V0 for both colours
- IP54



The SPL grommets are used to route cables with or without connectors (diameter 11.5 to 31 mm) inside the DES 24, 16, 10, Q CLICK split frames and OSF 50/63 divisible cable glands.

**Material:** TPE, halogen-free, silicone-free

**Flammability:** self-extinguishing acc. to UL94-V0 (grey or black)

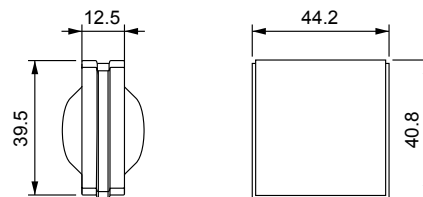
**Temperature:** -40°C... +110°C (static)

### RELATED PRODUCTS

- DES 24 CLICK
- DES Q CLICK
- DES 16 CLICK
- OSF 50/63
- DES 10 CLICK
- UltraTray 4

Model	Code	Model	Code	Ø Cable (mm)	Pcs (/pack)
<b>SPL 0G</b>	1731053000	<b>SPL 0B</b>	1731053001	"Blind"	10
<b>SPL 13G</b>	1731053005	<b>SPL 13B</b>	1731053025	11,5-16	
<b>SPL 17G</b>	1731053010	<b>SPL 17B</b>	1731053030	16-20	
<b>SPL 21G</b>	1731053013	<b>SPL 21B</b>	1731053033	20-24	
<b>SPL 25G</b>	1731053015	<b>SPL 25B</b>	1731053035	24-28	
<b>SPL 29G</b>	1731053020	<b>SPL 29B</b>	1731053040	28-31	

### Dimensions (mm)





### FEATURES

- Multiple large grommets for high number of cables (Ø max 16 mm) without connectors
- Grey and black colours available
- UL94-V0 for both colors
- Strain relief according to EN 62444

The SPL M grommets allow multiple non-terminated cables to be routed through the OSF 50/63 and DES CLICK Family frames, saving a significant amount of space compared to conventional cable glands.

After slightly perforating the front membrane, the cable is pushed through the opening, where the second membrane ensures perfect mechanical retention and liquid tightness.

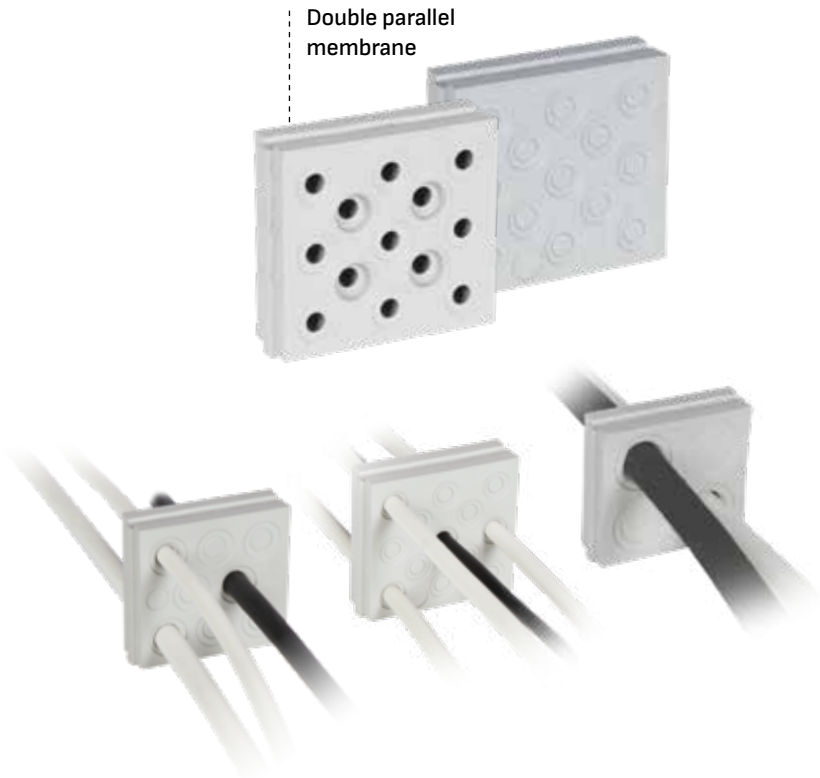
**Material:** TPE, halogen-free, silicone-free

**Flammability:** self-extinguishing acc. to UL94-V0 (grey or black)

**Temperature:** -40°C... +110°C (static)

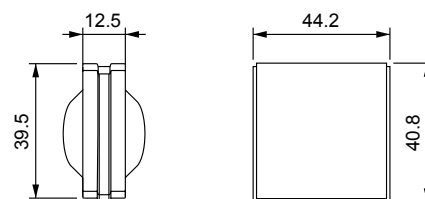
### RELATED PRODUCTS

- DES 24 CLICK
- DES 16 CLICK
- DES 10 CLICK
- DES Q CLICK
- OSF 50/63
- UltraTray 4



Model	Code	Model	Code	Nr. cables	Ø Cable max (mm)	Pcs (/pack)
<b>SPL M4G</b>	1731053050	<b>SP M4B</b>	1731053060	4	16	
<b>SPL M8G</b>	1731053055	<b>SPL M8B</b>	1731053065	8	10	10
<b>SPL M13G</b>	1731053058	<b>SPL M13B</b>	1731053068	13	6,5	

### Dimensions (mm)



IP54

NEMA 12

ECOLAB



RoHS COMPLIANT



## SPN grommets – large with extended range

### FEATURES

- Large grommets for cables from 11,5 to 31 mm diameter
- Suitable for DES LC24, LC16, LC10 and LCQ frames only
- “Blind” version available
- Grey and black colours available
- UL94-V0 for both colours
- IP54

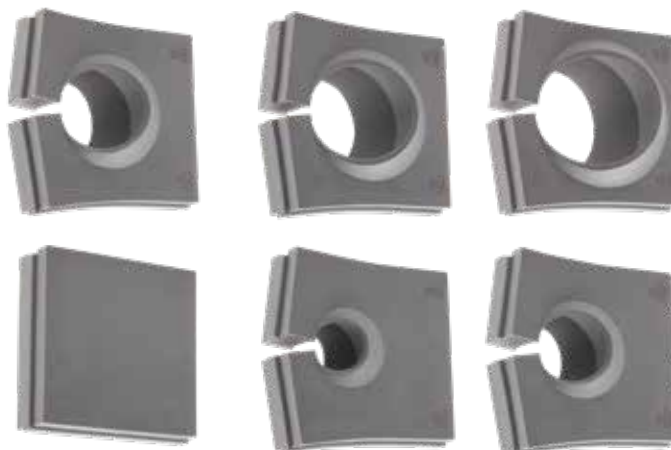
SPN is the new family of large multi-range grommets designed for the DES LC24, LC16, LC10 and LCQ frames. The range covers cable diameters from 11,5 mm to 31 mm with only five models.

The SPN 2R1 can accommodate two cables with a diameter of 16–17 mm.

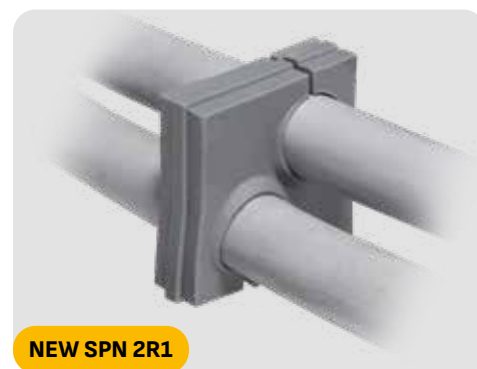
**Material:** TPE, halogen-free, silicone-free  
**Flammability:** self-extinguishing acc. to UL94-V0 (grey or black)  
**Temperature:** -40°C... +110°C (static)

### RELATED PRODUCTS

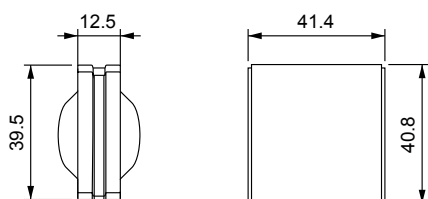
- DES LC24
- DES LC10
- DES LC16
- DES LCQ



Model	Code	Model	Code	Ø Cable (mm)	Pcs (/pack)
<b>SPN 0G</b>	1731053110	<b>SPN 0B</b>	1731053140	“Blind”	10
<b>SPN 13G</b>	1731053115	<b>SPN 13B</b>	1731053145	11,5-16	
<b>SPN 17G</b>	1731053120	<b>SPN 17B</b>	1731053150	16-20	
<b>SPN 21G</b>	1731053125	<b>SPN 21B</b>	1731053155	20-24	
<b>SPN 25G</b>	1731053130	<b>SPN 25B</b>	1731053160	24-28	
<b>SPN 29G</b>	1731053135	<b>SPN 29B</b>	1731053165	28-31	



### Dimensions (mm)



Model	Code	Cable diameter range (mm)	Pcs (/pack)
<b>SPN 2R1G</b>	1731053137	(2x) 16-17	10
<b>SPN 2R1B</b>	1731053167	(2x) 16-17	



**IP54**

**NEMA 12**



**ECOLAB**





# SPN M

## Multiple large grommets for cables without connectors

### FEATURES

- Large grommets for cables from 11,5 to 31 mm diameter
- Suitable for DES LC24, LC16, LC10 and LCQ frames only
- Grey and black colours available
- UL94-V0 for both colours
- IP54



The SPN M grommets allow multiple non-terminated cables to be routed through the DES LC24, LC16, LC10 and LCQ frames, saving a significant amount of space compared to conventional cable glands. After slightly perforating the front membrane, the cable is pushed through the opening, where the second membrane ensures perfect mechanical retention and liquid tightness.

**Material:** TPE, halogen-free, silicone-free  
**Flammability:** self-extinguishing acc. to UL94-V0 (grey or black)  
**Temperature:** -40°C... +110°C (static)

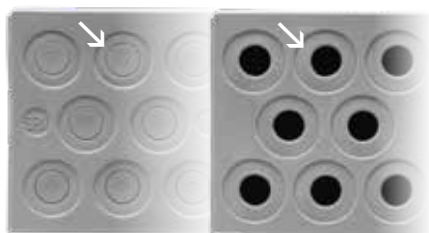
### RELATED PRODUCTS

- DES LC24
- DES LC16
- DES LC10
- DES LCQ

Model	Code	Nr. Cables	Ø Cable max (mm)	Pcs (/pack)
■ SPN M7G	1731053170	7	4x 13,5 1x 9,5 2x 5	10
■ SPN M7B	1731053185			
■ SPN M8G	1731053175	8	8x 10	
■ SPN M8B	1731053190			
■ SPN M13G	1731053180	13	4x 10 9x 6,5	
■ SPN M13B	1731053195			

NEW

1

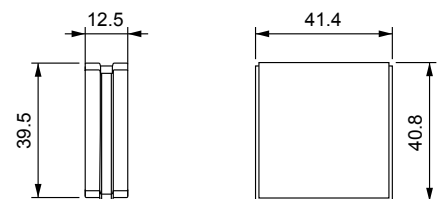


Double parallel membrane



NEW SPN M13G

### Dimensions (mm)



IP54

NEMA 12



ECOLAB





## SPP grommets - small: single, double and quadruple



### FEATURES

- Grommets for cables from 2 to 17 mm diameter
- "Blind" version available
- Grey and black colours available
- UL94-V0 for both colours
- ATEX version on request (Group 7)

The SPP grommets allow several cables with or without connectors from 2 to 17 mm diameter to be routed in the DES splittable frame. The 2x and 4x models can be used to significantly increase the cables quantity in the frame.

**Material:** TPE, halogen-free, silicone-free

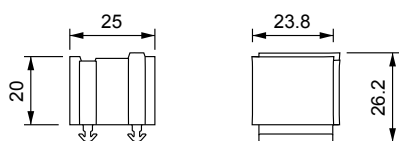
**Flammability:** self-extinguishing acc. to UL94-V0 (grey or black)

**Temperature:** -40°C... +110°C (static)

### RELATED PRODUCTS

- DES 24
- DES 16
- DES 10
- DES Q
- DESPRED
- DESCLICK
- DES 24M
- DES 24MX
- DES 16M
- DES 16MX
- UltraTray 4

### Dimensions (mm)



Model	Code	Model	Code	Ø Cable (mm)	Pcs (/pack)
□		■			
SPP 0G	1731020100	SPP 0B	1731020200	"Blind"	10
SPP 2G	1731020102	SPP 2B	1731020202	2-3	
SPP 3G	1731020103	SPP 3B	1731020203	3-4	
SPP 4G	1731020104	SPP 4B	1731020204	4-5	
SPP 5G	1731020105	SPP 5B	1731020205	5-6	
SPP 6G	1731020106	SPP 6B	1731020206	6-7	
SPP 7G	1731020107	SPP 7B	1731020207	7-8	
SPP 8G	1731020108	SPP 8B	1731020208	8-9	
SPP 9G	1731020109	SPP 9B	1731020209	9-10	
SPP 10G	1731020110	SPP 10B	1731020210	10-11	
SPP 11G	1731020111	SPP 11B	1731020211	11-12	
SPP 12G	1731020112	SPP 12B	1731020212	12-13	
SPP 13G	1731020113	SPP 13B	1731020213	13-14	
SPP 14G	1731020114	SPP 14B	1731020214	14-15	
SPP 15G	1731020115	SPP 15B	1731020215	15-16	
SPP 16G	1731020116	SPP 16B	1731020216	16-17	
••		••			
SPP 2x2G	1731020304	SPP 2x2B	1731020404	2 x 2	10
SPP 2x3G	1731020306	SPP 2x3B	1731020406	2 x 3	
SPP 2x4G	1731020308	SPP 2x4B	1731020408	2 x 4	
SPP 2x5G	1731020310	SPP 2x5B	1731020410	2 x 5	
SPP 2x6G	1731020312	SPP 2x6B	1731020412	2 x 6	
SPP 2x7G	1731020314	SPP 2x7B	1731020414	2 x 7	
SPP 2x8G	1731020316	SPP 2x8B	1731020416	2 x 8	
•••		•••			
SPP 4x2G	1731020318	SPP 4x2B	1731020418	4 x 2	10
SPP 4x3G	1731020320	SPP 4x3B	1731020420	4 x 3	
SPP 4x4G	1731020322	SPP 4x4B	1731020422	4 x 4	
SPP 4x5G	1731020324	SPP 4x5B	1731020424	4 x 5	
SPP 4x6G	1731020326	SPP 4x6B	1731020426	4 x 6	
•••		•••			
SPP 2x3+2x4,5G	1731020330	SPP 2x3+2x4,5B	1731020332	2x3 2x4,5	10
□		□			
SPP ASI G	1731021130	-	-	1 x ASI	
SPP ASI2 G	1731021140	-	-	2 x ASI	

1



IP66  
IP69K

NEMA  
12, 4X

UL TYPE  
12, 4X  
\*Indoor only



ECOLAB

UL94-V0



RoHS  
COMPLIANT





## SPP grommets with extended range

### FEATURES

- For cables with or without connectors
- Multi-Range grommets for cables from 3 to 15 mm diameter
- Only 4 models covering the entire range
- Grey and black colours available
- UL94-V0 for both colours



The openable extended range grommets of the SPP R family allow cables with or without connectors to be routed through all DES frames. Only four models are covering the diameters from 3 to 15 mm (R1... R4). Thanks to the SPP R grommets, warehouse costs are minimised and installation times significantly reduced.

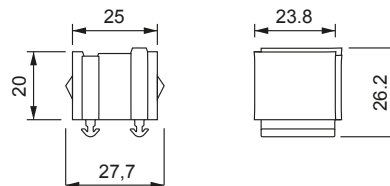
**Material:** TPE, halogen-free, silicone-free  
**Flammability:** self-extinguishing acc. to UL94-V0 (grey or black)  
**Temperature:** -40°C... +110°C (static)

### RELATED PRODUCTS

- DES 24
- DES 16
- DES 10
- DES Q
- DESPRED
- DESCLICK
- DES 24M
- DES 24MX
- DES 24MX15
- DES 16M
- DES 16MX
- UltraTray 4

Model	Code	Model	Code	Ø Cable min/max (mm)	Pcs (/pack)
<b>SPP R1G</b>	1731021200	<b>SPP R1B</b>	1731021210	3 - 6	10
<b>SPP R2G</b>	1731021202	<b>SPP R2B</b>	1731021212	6 - 9	
<b>SPP R3G</b>	1731021204	<b>SPP R3B</b>	1731021214	9 - 12	
<b>SPP R4G</b>	1731021206	<b>SPP R4B</b>	1731021216	12 - 15	

### Dimensions (mm)



IP66

NEMA 12, 4X

UL TYPE 12, 4X\*  
\*indoor only



ECOLAB



RoHS COMPLIANT



# SPP K



## Blind pierceable small grommets with extended range for cables without connectors



### FEATURES

- Diameters from 2,5 to 16,5 mm
- "Blind" pierceable grommets
- Grey and black colours available
- UL94-V0 for both colours
- IP66 - NEMA 4X

The SPP K grommets have a dual function: they can be used as "blind" grommets for future application of single cable without connector or they can be used as single grommet for one cable without connector. The size can be chosen between 4 models from 2,5 a 16,5 mm diameter. The double membrane ensures the best water and dust protection together with a great strain relief function.

**Material:** TPE, halogen-free, silicone-free

**Flammability:** self-extinguishing acc. to UL94-V0 (grey or black)

**Temperature:** -40°C... +110°C (static)

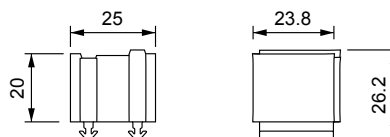
### RELATED PRODUCTS

- DES 24
- DES 16
- DES 10
- DES Q
- DESPRED
- DESCLICK
- DES 24M
- DES 24MX15
- DES 24MX
- DES 16M
- DES 16MX
- UltraTray 4

Model	Code	Model	Code	Ø Cable min/max (mm)	Pcs (/pack)
<b>SPP K0G</b>	1731021100	<b>SPP K0B</b>	1731023100	"Blind"	10
<b>SPP K1G</b>	1731021110	<b>SPP K1B</b>	1731023110	2,5 - 7	
<b>SPP K2G</b>	1731021115	<b>SPP K2B</b>	1731023115	4,5 - 10	
<b>SPP K3G</b>	1731021120	<b>SPP K3B</b>	1731023120	7,5 - 12,5	
<b>SPP K4G</b>	1731021125	<b>SPP K4B</b>	1731023125	9 - 14	
<b>SPP K5G</b>	1731021127	<b>SPP K5B</b>	1731023127	12 - 16,5	



### Dimensions (mm)



IP66

NEMA 12, 4X

UL TYPE 12, 4X\*  
\*indoor only



ECOLAB

UL94-V0



RoHS COMPLIANT



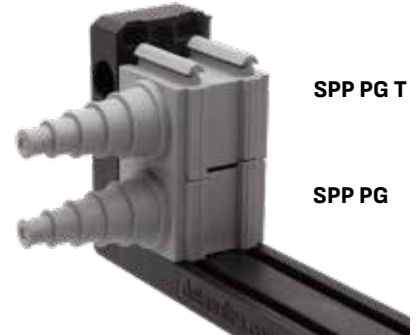
## SPP multi-range grommets with pyramidal shape



SPP PG



SPP PG T



SPP PG T

SPP PG

### FEATURES

- Universal solution for cables without connectors from 3 to 14mm diameter
- Can be used on all DES Frames and divisible cable glands
- IP66
- UL94-V0 for both grey and black colors

The SPP P grommets are suitable for cables without connectors. They are used cutting the cone corresponding to the diameter of the cable. The cable is then routed into the grommet where the internal shape is increasing the strain relief. It is also possible to secure the cable with a cable tie.

The T version can be installed in the upper line of the DES series.

**Material:** TPE, halogen-free, silicone-free

**Flammability:** self-extinguishing acc. to UL94-V0

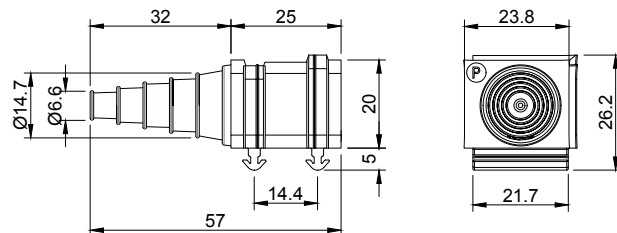
**Temperature:** -40°C... +110°C (static)

### RELATED PRODUCTS

- DES 24
- DES 16
- DES 10
- DES Q
- DESPRED
- DESCLICK
- DES 24M
- DES 24MX15
- DES 24MX
- DES 16M
- DES 16MX

Model	Code	Ø Cable min/max (mm)	Pcs (/pack)
SPP PG	1731020650	3 - 14	10
SPP PB	1731020652		
SPP PG T	1731020651		
SPP PB T	1731020653		

### Dimensions (mm)



IP66

NEMA 12, 4X

UL TYPE 12, 4X\*  
\*indoor only



ECOLAB

UL94-V0



RoHS COMPLIANT





# SPP M



## Multiple small grommets for cables without connectors

### FEATURES

- Cable diameter max. 7 mm
- "Blind" pierceable grommets
- Grey and black colours available
- UL94-V0 for both colours
- IP66 - NEMA 4X

The SPP M grommets have a dual function: they can be used as "blind" grommets for future application of multiple cables without connector or they can be used in the DES splittable frame as multi grommets for non terminated cables. The double membrane ensures the highest water and dust protection.

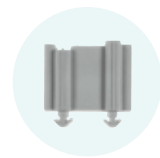
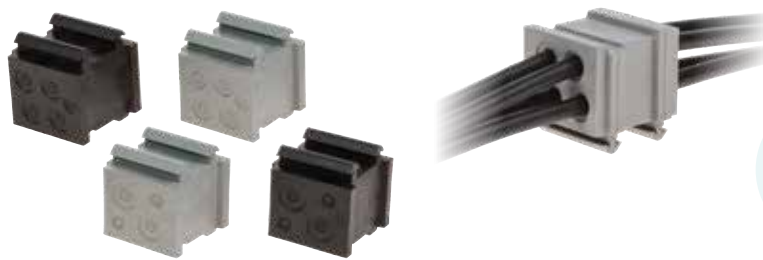
**Material:** TPE, halogen-free, silicone-free

**Flammability:** self-extinguishing acc. to UL94-V0 (grey or black)

**Temperature:** -40°C... +110°C (static)

### RELATED PRODUCTS

- DES 24
- DES 16
- DES 10
- DES Q
- DESPRED
- DESCLICK
- DES 24M
- DES 24MX15
- DES 24MX
- DES 16M
- DES 16MX



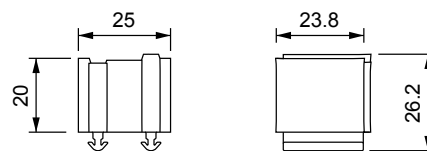
Model	Code	Model	Code	Nr. Cables	Ø Cable (mm)	Pcs (/pack)
<b>SPP M4G</b>	1731020504	<b>SPP M4B</b>	1731020604	4	max. 6	10
<b>SPP M4bG</b>	1731020505	<b>SPP M4bB</b>	1731020605	2 2	max. 3 max. 7	

Double parallel membrane



\* Indoor only

### Dimensions (mm)



IP66

NEMA 12, 4X

UL TYPE 12, 4X\*  
\*Indoor only



ECOLAB



# SPP Z



## Flat cables grommets

### FEATURES

- Up to 65mm large flat cables
- No need of special frames, suitable for all DES family frames
- Same size of 3 SPP

SPP Z3 is a grommet for flat cables designed to accommodate different sizes. The pierceable membrane has multiple sections. It works with the existing DES frames without the need of a dedicated frame. When the cable perforates the membrane it crosses the wall and it is protected from dust and water and offers a very good strain relief. It is particularly recommended for dynamic applications in industrial automation, robotics and cable chains, where flat cables are subject to frequent and continuous movements, to ensure protection against dust and water and effective strain relief at the entry point.

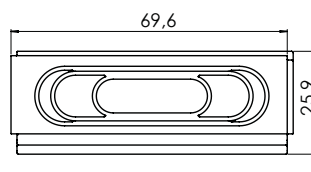
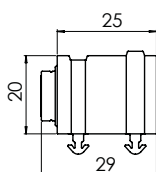


**Material:** TPE, halogen-free, silicone-free

**Flammability:** self-extinguishing acc. to UL94-V0

**Temperature:** -40°C... +110°C (static)

Model	Code	Pcs (/pack)
<b>SPP Z3</b>	1731020730	1



### RELATED PRODUCTS

- DES 24
- DES 16
- DES 10
- DES 24 MX15
- DES 24M, MX
- DES 16M, MX
- DES L5, L4, L3

up to IP66

NEMA 12, 4X

UL TYPE 12, 4X\*  
\*Indoor only





# SPP F



## Small grommets with threaded inserts

### FEATURES

- Grommet with thread for pneumatic connection sleeve and other connectors
- Continuous thread for 1/4" and 1/8" models, only front on M8 / M12
- SS304 inserts available on request

Thanks to the integrated thread, the SPP F series can be used as terminals for sensors, pneumatics, etc.

**Material:** TPE, brass insert, halogen-free, silicone-free

**Flammability:** self-extinguishing acc. to UL94-V0

**Temperature:** -40°C... +110°C (static)

### RELATED PRODUCTS

- DES 24
- DES 16
- DES 10
- DES Q
- DESPRED
- DESCCLICK
- DES 24M
- DES 16M
- DES 16MX
- DES 24MX15



M8 x 0,5



M12 x 1



SPP F1/8G



M16 x 1,5



SPP F1/4G



Model	Code	Thread	Pcs (/pack)
SPP F8G	1731020708	M8 x 0,5	1
SPP F12G	1731020712	M12 x 1	
SPP F16G	1731020716	M16 x 1,5	
SPP F1/4G	1731020725	1/4"	
SPP F1/8G	1731020728	1/8"	

IP66

NEMA 12, 4X

UL TYPE 12, 4X\*  
\*indoor only

ECOLAB

UL94-V0

UV  
ISO 4892-2A

RoHS  
COMPLIANT

1



# SPP VENT

## Small grommet with pressure compensation valve

### FEATURES

- Quick assembly
- M12 thread

SPP VENT is a grommet with a pressure-compensating valve, recommended for environments requiring uniform pressure. The depressurising grommet is inserted into DES splittable frames and thanks to its valve, it compensates for the pressure of the environment and thus avoiding temperature differences and consequent condensation. The ventilation element has an M12x1 thread which can be removed to use threaded connectors and sensors.

### RELATED PRODUCTS

- DES 24
- DES 16
- DES 10
- DES Q
- DES L
- DESPRED
- DESCCLICK

**Material:** TPE, brass insert, PP valve, halogen-free, silicone-free

**Flammability:** self-extinguishing acc. UL94-V0

**Temperature** -40°C... +110°C



Model	Code	Thread	Pcs (/pack)
SPP VENT G	1731020720	M12	1

IP66

NEMA 12, 4X

UL TYPE 12, 4X\*  
\*indoor only

ECOLAB

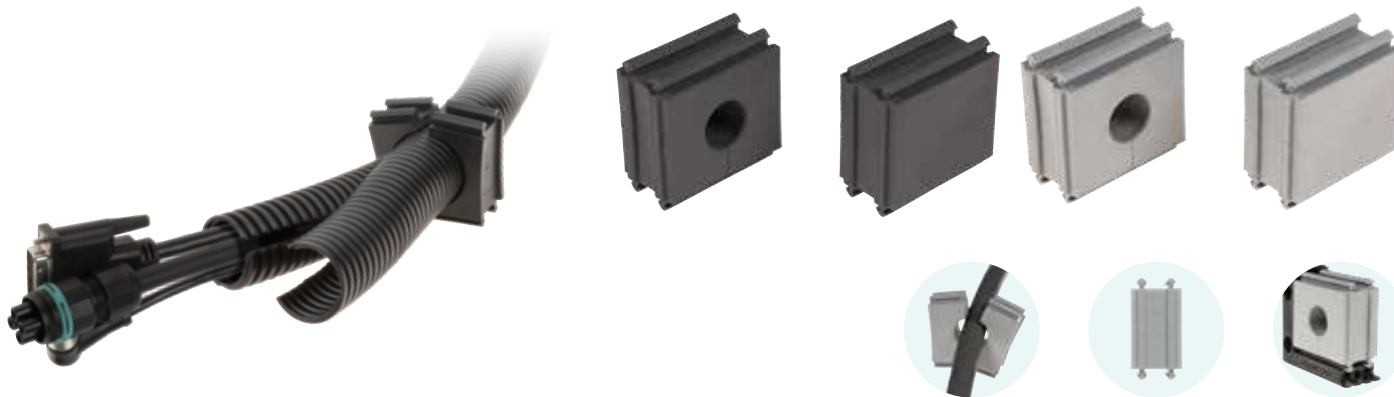
UL94-V0

UV  
ISO 4892-2A

RoHS  
COMPLIANT



## SPG grommets – large



### FEATURES

- Grommets for cables with and without connectors or for corrugated conduits from 17 to 35 mm diameter
- UL94-V0 for both grey and black
- ATEX version on request (Group 7)

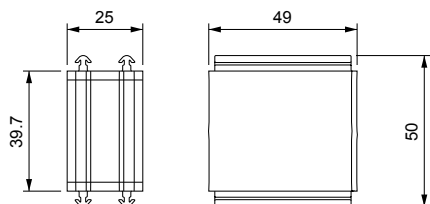
The SPG grommets are designed for cables with or without connectors or for corrugated conduits with diameter from 17 to 35 mm.

**Material:** TPE, halogen-free, silicone-free  
**Flammability:** self-extinguishing acc. to UL94-V0 (grey and black)  
**Temperature:** -40°C... +110°C (static)

### RELATED PRODUCTS

- DES 24
- DES 16
- DES 10
- DES Q
- DESPREL
- DESCLICK
- DES 24M
- DES 24MX
- DES 16M
- DES 16MX
- UltraTray 4

### Dimensions (mm)



Model	Code	Model	Code	Ø Cable min/max (mm)	Pcs (/pack)
<b>SPG 0G</b>	1731022000	<b>SPG 0B</b>	1731022020	"Blind"	
<b>SPG 17G</b>	1731022117	<b>SPG 17B</b>	1731022217	17-18	
<b>SPG 18G</b>	1731022118	<b>SPG 18B</b>	1731022218	18-19	
<b>SPG 19G</b>	1731022119	<b>SPG 19B</b>	1731022219	19-20	
<b>SPG 20G</b>	1731022120	<b>SPG 20B</b>	1731022220	20-21	
<b>SPG 21G</b>	1731022121	<b>SPG 21B</b>	1731022221	21-22	
<b>SPG 22G</b>	1731022122	<b>SPG 22B</b>	1731022222	22-23	
<b>SPG 23G</b>	1731022123	<b>SPG 23B</b>	1731022223	23-24	
<b>SPG 24G</b>	1731022124	<b>SPG 24B</b>	1731022224	24-25	
<b>SPG 25G</b>	1731022125	<b>SPG 25B</b>	1731022225	25-26	10
<b>SPG 26G</b>	1731022126	<b>SPG 26B</b>	1731022226	26-27	
<b>SPG 27G</b>	1731022127	<b>SPG 27B</b>	1731022227	27-28	
<b>SPG 28G</b>	1731022128	<b>SPG 28B</b>	1731022228	28-29	
<b>SPG 29G</b>	1731022129	<b>SPG 29B</b>	1731022229	29-30	
<b>SPG 30G</b>	1731022130	<b>SPG 30B</b>	1731022230	30-31	
<b>SPG 31G</b>	1731022131	<b>SPG 31B</b>	1731022231	31-32	
<b>SPG 32G</b>	1731022132	<b>SPG 32B</b>	1731022232	32-33	
<b>SPG 33G</b>	1731022133	<b>SPG 33B</b>	1731022233	33-34	
<b>SPG 34G</b>	1731022134	<b>SPG 34B</b>	1731022234	34-35	

1



IP66  
IP69K

NEMA  
12, 4X

UL TYPE  
12, 4X  
\*indoor only



ECOLAB



RoHS  
COMPLIANT





NEW

# SPG 2R

SPG grommets with extended range



## FEATURES

- Large grommets for cables from 18 to 20 mm diameter
- IP66
- Grey and black colors
- UL94-V0 for both colors

The multi-range, openable grommets of the SPG 2R Series allow the use of cables with or without connectors. They are suitable for cables with diameters from 18 to 20 mm. SPG 2R grommets enable routing of two cables simultaneously, even with different diameters, ensuring significant savings in terms of cost, time, and space compared to traditional solutions.

**Material:** TPE, halogen-free, silicone-free

**Flammability:** self-extinguishing acc. to UL94-V0 (gray and black)

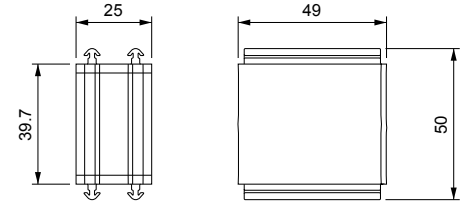
**Temperature:** -40°C... +110°C (static)



## RELATED PRODUCTS

- DES 24
- DES 16
- DES 10
- DES Q
- DESPRED
- DESCLICK
- DES 24M
- DES 24MX
- DES 16M
- DES 16MX
- DESPRED 63

## Dimensions (mm)



	Model	Code	Cable diameter range (mm)	Pcs (/pack)
NEW	SPG 2R1G	1731022140	18 - 20	10
	SPG 2R1B	1731022240	18 - 20	

IP66



ECOLAB



1



# SPG Y

SPG to SPP adapter grommet



## FEATURES

- Large grommet which can be used as adapter for one small grommet
- Grey and black colors
- UL94-V0 for both colors

The SPG Y are large grommets that have space inside for mounting a single or multiple small grommet. They are used to avoid blind grommets or when a reduction in the number of grommets is required.

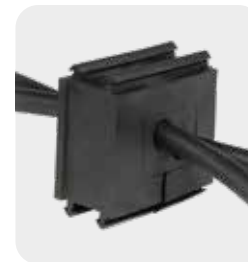
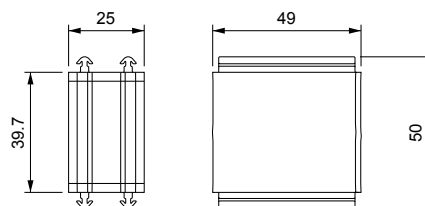
**Material:** TPE, halogen-free, silicone-free

**Flammability:** self-extinguishing acc. to UL94-V0

**Temperature:** -40°C... +110°C (static)

	Model	Code	Pcs (/pack)
	SPG YG	1731022030	10
	SPG YG	1731022035	10

## Dimensions (mm)



## RELATED PRODUCTS

- DES 24
- DES 16
- DES 10
- DES Q
- DESPRED
- DESCLICK
- DES 24M
- DES 24MX
- DES 16M
- DES 16MX

IP54

NEMA 12

ECOLAB





# SPG K



## Blind pierceable large grommets with extended range for cables without connectors

### FEATURES

- K1, K2 e K3 for cables without connectors with diameters from 16 to 30 mm
- IP66 for SPG K1, K2 and K3



The SPG K are blind grommets which can be used for cables without connectors with diameter from 16 to 30mm. The SPG K0 can be perforated but the IP protection is not guaranteed. Thanks to the double membrane in the SPG K1-K2-K3 grommets, an optimal protection against dust and water is achieved.

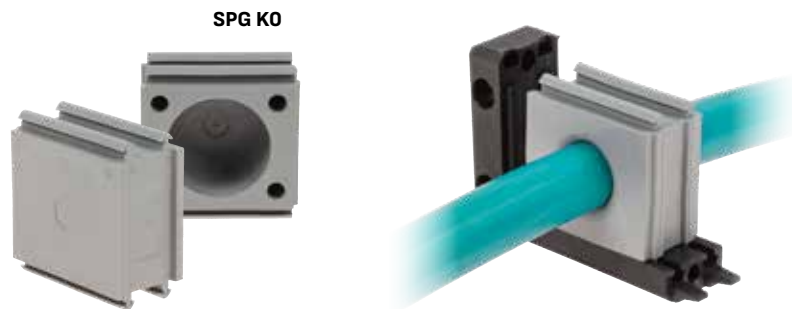
**Material:** TPE, halogen-free, silicone-free  
**Flammability:** self-extinguishing acc. to UL94-V0 (grey and black)  
**Temperature:** -40°C... +110°C (static)

### RELATED PRODUCTS

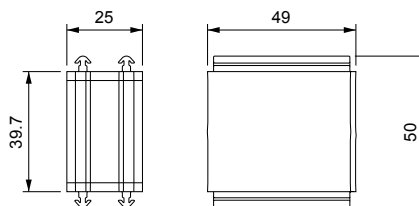
- DES 24
- DES 16
- DES 10
- DES Q
- DESPRED
- DESCLICK
- DES 24M
- DES 24MX
- DES 16M
- DES 16MX
- UltraTray 4



Model	Code	Model	Code	Ø Cable min/max (mm)	Pcs (/pack)
					
SPG K0G	1731022300	SPG K0B	1731022400	max. 32	10
SPG K1G	1731022310	SPG K1B	1731022410	16 - 22	
SPG K2G	1731022320	SPG K2B	1731022420	23 - 26	
SPG K3G	1731022330	SPG K3B	1731022430	26 - 30	



### Dimensions (mm)



IP66

NEMA 12, 4X



ECOLAB



RoHS COMPLIANT

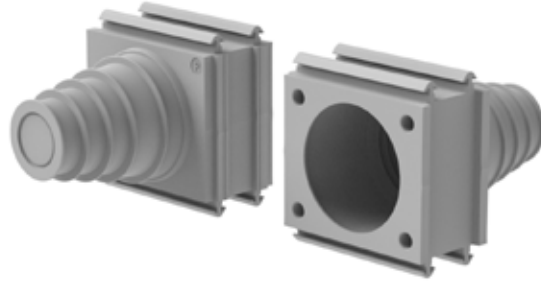




## SPG multi-range grommets with pyramidal shape

### FEATURES

- Universal solution for cables without connectors from 17 to 33 mm diameter
- Can be used on all DES Frames and divisible cable glands
- IP66
- UL94-V0 for both grey and black colors



The SPG P grommets are suitable for cables without connectors. They are used cutting the cone corresponding to the diameter of the cable. The cable is then routed into the grommet where the internal shape is increasing the strain relief.



Is it also possible to secure the cable with a cable tie.

**Material:** TPE, halogen-free, silicone-free

**Flammability:** self-extinguishing

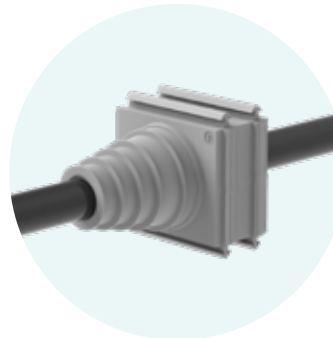
acc. to UL94-V0

**Temperature:** -40°C... +110°C (static)

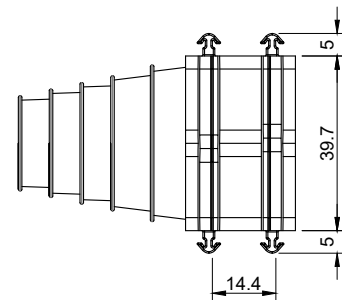
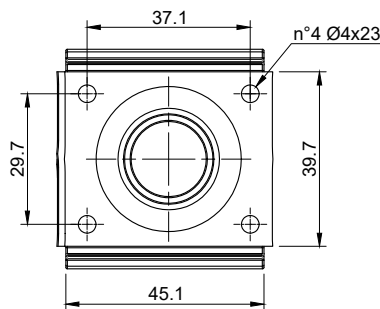
Model	Code	Cable diameter range (mm)	Pcs (/pack)
 <b>SPG PG</b>	1731020745	17 - 33	10
 <b>SPG PB</b>	1731020748		10

### RELATED PRODUCTS

- DES FRAMES
- DESPRED
- DESCLICK 50



### Dimensions (mm)



IP66

NEMA 12, 4X



ECOLAB



RoHS COMPLIANT





# SPG M



## Multiple large grommets for cables without connectors

Double parallel membrane



### FEATURES

- Multiple grommets for high number of cables without connectors
- Grey and black colours available
- UL94-V0 for both colours
- Strain relief according to EN 62444

The SPG M grommets enable a high number of cables without connectors to be routed into the DES splittable frames.

The cable is pushed through the front membrane, whilst the second membrane increases the strain relief and liquid tightness

**Material:** TPE, halogen-free, silicone-free

**Flammability:** self-extinguishing acc. to UL94-V0 (grey or black)

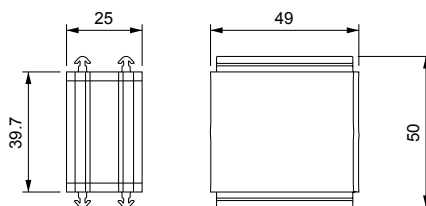
**Temperature:** -40°C... +110°C (static)

### RELATED PRODUCTS

- DES 24
- DES 16
- DES 10
- DES Q
- DESPRED
- DESCLICK
- DES 24M
- DES 24MX
- DES 16M
- DES 16MX
- UltraTray 4

Model	Code	Nr. Cables	Ø Cable (mm)	Pcs (/pack)
SPG M2G	1731022302	2	max. 18	10
SPG M2B	1731022402			
SPG M3G	1731022303	3	max. 16	
SPG M3B	1731022403			
SPG M4G	1731022304	4	max. 14	
SPG M4B	1731022402			
SPG M7G	1731022307			
SPG M7B	1731022407	4 2 1	max. 13,5 max. 5 max. 9,5	
SPG M9G	1731022309			
SPG M9B	1731022409	9	max. 8	
SPG M14G	1731022314			
SPG M14B	1731022414	12 2	max. 6,5 max. 12	
SPG M15G	1731022315			
SPG M15B	1731022415	15	max. 7	

### Dimensions (mm)



IP66

NEMA 12, 4X

UL TYPE 12, 4X  
\*indoor only



ECOLAB

UL94-V0



RoHS COMPLIANT



# SPG W



## Large grommets for drives and service connectors



SPG WFP23



SPG WFQ20



SPG WFQ27



SPG W12x1



SPG W25x1,5



SPG WD22



SPG WCK

### FEATURES

- Large grommets for panel connectors with diameters 20 and 22 mm, M12, M25, M23 flanges, square openable flanges, feedthrough, quick inserts for pneumatics, etc.
- Useful for quick connections without opening the electrical panel
- Customized solutions on request

The SPG W grommets allow the integration of panel connectors/sockets (Ø 20 and 22 mm, M12, M25, M23 flanges, openable square flanges, feedthrough, quick inserts for pneumatics, etc.) directly on the DES frames.

The advantage is the modularity of the system that allows quick connection and release of cables (data, power, pneumatics, etc.) without opening the machine panel. This plug-in system facilitates the design of increasingly modular machines.

**Material:** TPE, insert PP+GF, halogen-free, silicone-free

**Flammability:** self-extinguishing acc. to UL94-V0

**Temperature:** -40°C... +110°C (static)

### RELATED PRODUCTS

- DES 24
- DES 16
- DES 10
- DES Q
- DESPREL
- DESCLICK
- DES 24M
- DES 24MX15
- DES 24MX
- DES 16M
- DES 16MX

Model	Code	Application	Pcs (/pack)
SPG WFP23	1731020830	For M23 flanges	1
SPG WFQ20	1731020815	For squared openable flange □ 38 mm , hole Ø 20 mm (for M15 connectors)	
SPG WFQ27	1731020820	For squared openable flange □ 38 mm with hole Ø 27 mm (for M23 connectors)	
SPG W12x1	1731020840	For M12 metric threads	
SPG W25x1,5	1731020850	For M25 metric threads	
SPG WD22	1731020810	For Ø 22 mm Panel connectors	
SPG WCK	1731020970	for ILME CK and Harting HAN series connectors	

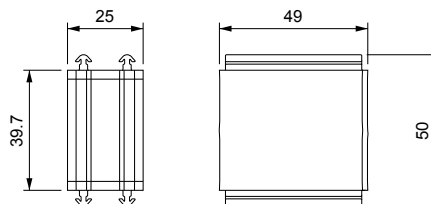
Compatible with a wide variety of panel sockets eg. sockets Ø 20/22 mm, M12, M25, M23 flanges, openable square flanges for M15 and M23 connectors, bulkheads and quick inserts for pneumatics, etc...



### Some possible configurations



### Dimensions (mm)



up to  
**IP66**

up to  
**NEMA 12, 4X**

**ECOLAB**

**UL94-V0**

**UV**  
ISO 4892-2A

**RoHS**  
COMPLIANT



# SPG W22



Large grommets for drives and service connectors



SPG W22 USB 3.0



SPG W22 USB-C



SPG W22 HDMI



SPG W22 RJ45 Cat.6



SPG W22 2xUSB 2.0

## FEATURES

- Large grommets with embedded panel connectors with diameter 22 mm
- Aluminum or plastic connectors 180° Female/Female or Female/Male
- Useful for quick connections without opening the electrical panel
- Metal or plastic panel sockets
- Degree of protection IP65



The SPG W22 grommets allow the integration of panel sockets (USB, RJ45 etc...) directly on the DES frame.

The advantage is the modularity of a system that allows the quick coupling and release of data cables without the need to open the machine panel, as well as the guarantee of maintaining a high degree of protection. This plug-in system facilitates the design of increasingly modular machines.

**Material:** TPE, insert PP+GF, sockets PA66 or aluminium, halogen-free, silicone-free

**Flammability:** self-extinguishing acc. to UL94-V0

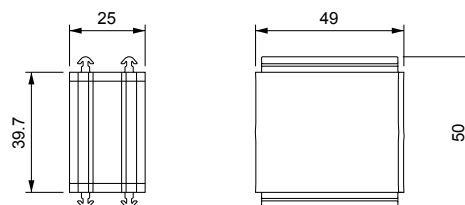
**Temperature:** -40°C... +55°C (static)

Model	Code	Application	Pcs (/pack)
SPG W22 USB 3.0	1731020905	With USB 3.0 (f/f) and IP65 cap	1
SPG W22 USB-C	1731020915	With USB-C (f/f) and IP65 cap	
SPG W22 RJ45 Cat.6	1731020930	With RJ45 Cat.6 (f/f) and IP65 cap	
SPG W22 HDMI	1731020935	With HDMI (f/f) and IP65 cap	
SPG W22 2xUSB 2.0	1731020940	With 2 USB 2.0 (f/f) and IP65 cap	

## RELATED PRODUCTS

- DES 24
- DES 16
- DES 10
- DES Q
- DESPRED
- DESCLICK
- DES 24M
- DES 24MX15
- DES 24MX
- DES 16M
- DES 16MX

## Dimensions (mm)



up to  
**IP65**

up to  
**NEMA  
12, 4X**

**ECOLAB**

**UL94-V0**

**UV  
ISO 4892-2A**

**RoHS  
COMPLIANT**



# SPG WP



Large grommets with connectors for service sockets



SPG WP20 USB 3.0



SPG WP16 USB-C



SPG WP20 RJ45 Cat.6



SPG WP20 HDMI

## FEATURES

- SPG grommets with panel sockets Ø 20 and 16 mm, USB, RJ45, HDMI and USB-C
- Female/Female 180°
- Useful for quick connections without opening the electrical panel
- Plastic socket with screw cap
- IP66

SPG WP grommets allow the integration of USB, RJ45 and HDMI panel sockets directly on the DES frames.

The advantage is the modularity of a system that allows the quick coupling and release of data cables without the need to open the machine panel, as well as the guarantee of maintaining a high degree of protection. This plug-in system facilitates the design of increasingly modular machines.

**Material:** TPE, insert PP+GF, socket PA66, halogen-free, silicone-free

**Flammability:** self-extinguishing acc. to UL94-V0

**Temperature:** -40°C... +55°C (static)

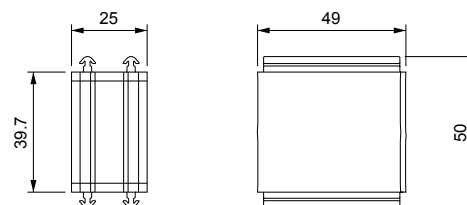
## RELATED PRODUCTS

- DES 24
- DES 16
- DES 10
- DES Q
- DESPRED
- DESCLICK
- DES 24M
- DES 24MX15
- DES 24MX
- DES 16M
- DES 16MX

Model	Code	Application	Pcs (/pack)
SPG WP20 USB 3.0	1731020907	With USB 3.0 (f/f) and cap	1
SPG WP16 USB-C	1731020913	With USB-C (f/f) and cap	
SPG WP20 RJ45 Cat.6	1731020933	With RJ45 Cat.6 (f/f) and cap	
SPG WP20 HDMI	1731020937	With HDMI (f/f) and cap	
SPG WP M12RJ	1731020939	M12 (4P) to RJ45	



## Dimensions (mm)



up to  
**IP66**

up to  
**NEMA  
12, 4X**

**ECOLAB**

**UL94-V0**

**UV  
ISO 4892-2A**

**RoHS  
COMPLIANT**



### FEATURES

- Grommets for large-diameter cables and corrugated conduits
- Cable diameters from 36 to 65 mm
- UL94-V0
- IP54

SPH grommets are used in DES380M and 380MX for cables or corrugated conduits from 36 to 65 mm diameter.

**Material:** TPE, halogen-free, silicone-free  
**Flammability:** self-extinguishing acc. to UL94-V0 (grey and black)  
**Temperature:** -40°C... +110°C (static)

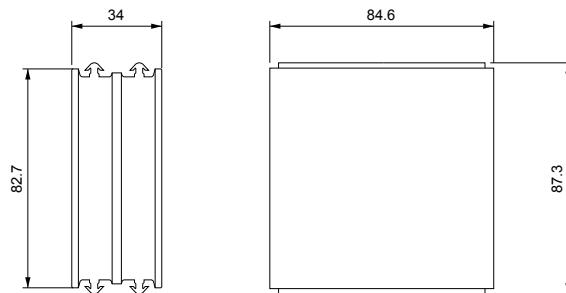
### RELATED PRODUCTS

- DES 380M
- DES 380MX

Model	Code	Ø Cable (mm)	Pcs (/pack)
SPH 0G	1731010278	0	1
SPH 38G	1731010281	36-39	
SPH 42G	1731010282	41-44	
SPH 46G	1731010283	43-48	
SPH 50G	1731010284	47-51	
SPH 54G	1731010285	52-56	
SPH 58G	1731010286	56-60	
SPH 62G	1731010287	60-65	



### Dimensions (mm)





### FEATURES

- Plastic plugs for grommets, from 2 to 34 mm diameter

The ISP series plugs are designed to fit into SPP, SPC and SPG grommets with diameters from 2 to 34 mm.

**Material:** PA66, halogen-free, silicone-free

**Flammability:** self-extinguishing acc. to UL94-V2

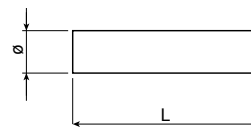
**Temperature:** -40°C... +120°C (static)

### RELATED PRODUCTS

- SPC grommets
- SPP grommets
- SPG grommets



### Dimensions (mm)



### ISP plugs for SPP and SPC grommets

Model	Code	Ø (mm)	L (mm)
ISP 2	1731040002	2	30
ISP 3	1731040003	3	
ISP 4	1731040004	4	
ISP 5	1731040005	5	
ISP 6	1731040006	6	
ISP 7	1731040007	7	
ISP 8	1731040008	8	
ISP 9	1731040009	9	
ISP 10	1731040010	10	
ISP 11	1731040011	11	
ISP 12	1731040012	12	
ISP 13	1731040013	13	
ISP 14	1731040014	14	
ISP 15	1731040015	15	
ISP 16	1731040016	16	

### ISP plugs for SPG grommets

Model	Code	Ø (mm)	L (mm)
ISP 18	1731040018	18	20
ISP 19	1731040019	19	
ISP 20	1731040020	20	
ISP 21	1731040021	21	
ISP 22	1731040022	22	
ISP 23	1731040023	23	
ISP 24	1731040024	24	
ISP 25	1731040025	25	
ISP 26	1731040026	26	
ISP 27	1731040027	27	
ISP 28	1731040028	28	
ISP 29	1731040029	29	
ISP 30	1731040030	30	
ISP 31	1731040031	31	
ISP 32	1731040032	32	
ISP 33	1731040033	33	
ISP 34	1731040034	34	

NEW

up to  
**IP66**

**UL94-V0**

**UV**  
ISO 4892-2A

**RoHS**  
COMPLIANT

# DES CAPS

## Caps for splittable frames

### FEATURES

- Caps with convex head
- Available with black color
- For DES splittable frames

The DES CAPS keeps the product clean from the front, preventing dirt from settling in the screw seats.

**Material:** PA66, halogens and silicones free

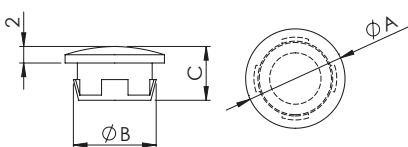
**Flammability:** self-extinguishing acc. to UL94-V2



### RELATED PRODUCTS

- DES FT

### Dimensions (mm)



Model	Code	Ø Hole (mm)	Dimensions (mm)			Pcs (/pack)
			A	B	C	
DES CAPS	1732019983	9,5	12	10	6,5	50

**RoHS**  
COMPLIANT

# UTILITY BOX SPCL



Box with SPC and SPL grommets

## FEATURES

- SPC single hole grommets
- SPC multiple hole grommets
- SPL multirange grommets
- Grey or black grommets



The SPCL engineering box contains 212 pcs small SPC and SPL grommets, grey or black. The full range of grommets is included.

## RELATED PRODUCTS

- DES XX CLICK
- DES LC
- OSF
- OSF ZIP
- OSF 90

	Model	Code	Dimensions (mm)	Pcs (/pack)
■	Utility box SPCL	1736999862	370 x 300 x 90	1
■	Utility box SPCL	1736999863		

### Grey grommets box contents

Model	Pcs	Model	Pcs	Model	Pcs
<b>SPC</b> ■					
0G	8				
R1G	6				
R2G	6				
R3G	6				
2G	8				
3G	8				
4G	8				
5G	8				
6G	8				
7G	8				
8G	8				
9G	8				
10G	8				
11G	8				
12G	4				
13G	4				
14G	4				
<b>SPC</b> ■■					
2x2G	4				
2x3G	8				
2x4G	8				
2x5G	8				
2x6G	4				
2x7G	4				
<b>SPC</b> ■■■					
4x2G	4				
4x3G	8				
4x4G	8				
4x5G	4				
4x6G	4				
<b>Model</b> <b>Pcs</b>					
<b>SPL</b> ■					
0G	4				
11,5-16G	4				
16-20G	4				
20-24G	4				
24-28G	2				
28-31G	2				
<b>Model</b> <b>Pcs</b>					
<b>SPC K</b> ■					
K1G	4				
K2G	4				
K3G	4				
K4G	4				

### Black grommets box contents

Model	Pcs	Model	Pcs	Model	Pcs
<b>SPC</b> ■●					
0B	8				
R1B	6				
R2B	6				
R3B	6				
2B	8				
3B	8				
4B	8				
5B	8				
6B	8				
7B	8				
8B	8				
9B	8				
10B	8				
11B	8				
12B	4				
13B	4				
14B	4				
<b>SPC</b> ■●●					
2x2B	4				
2x3B	8				
2x4B	8				
2x5B	8				
2x6B	4				
2x7B	4				
<b>Model</b> <b>Pcs</b>					
<b>SPC K</b> ■●					
K1B	4				
K2B	4				
K3B	4				
K4B	4				
<b>Model</b> <b>Pcs</b>					
<b>SPL</b> ■●					
0G	4				
11,5-16B	4				
16-20B	4				
20-24B	4				
24-28B	2				
28-31B	2				

1



# UTILITY BOX SPP

Box with SPP samples grommets

## FEATURES

- SPP single hole grommets
- SPP multiple hole grommets
- Pierceable grommets
- Grey or black grommets

This engineering box contains 168 pcs of small SPP grommets, grey or black.



## RELATED PRODUCTS

- DES FRAMES
- DESPREL
- DESCLICK

	Model	Code	Dimensions (mm)	Pcs (/pack)
■	Utility box SPPG	1736999860	370 x 300 x 90	1
■	Utility box SPPB	1736999861		

### Grey SPP grommets box contents

Model	Pcs	Model	Pcs	Model	Pcs		
SPP							
0G	4	SPP	2x2G	4	SPP K		
2G	4		2x3G	4		K0G	4
R1G	4		2x4G	4		K1G	4
R2G	4		2x5G	4		K2G	4
R3G	4		2x6G	4	K3G	4	
R4G	4		2x7G	4	K4G	4	
3G	4		2x8G	4	Model Pcs		
4G	4		SPP M				
5G	4	M4G				4	
6G	4	SPP					
7G	4	4x2G	4				
8G	4	4x3G	4				
9G	4	4x4G	4				
10G	4	4x5G	4				
11G	4	4x6G	4				
12G	4						
13G	4						
14G	4						
15G	4						
16G	4						

### Black SPP grommets box contents

Model	Pcs	Model	Pcs	Model	Pcs		
SPP							
0B	4	SPP	2x2B	4	SPP K		
2B	4		2x3B	4		K0B	4
R1B	4		2x4B	4		K1B	4
R2B	4		2x5B	4		K2B	4
R3B	4		2x6B	4	K3B	4	
R4B	4		2x7B	4	K4B	4	
3B	4		2x8B	4	Model Pcs		
4B	4		SPP M				
5B	4	M4B				4	
6B	4	SPP					
7B	4	4x2B	4				
8B	4	4x3B	4				
9B	4	4x4B	4				
10B	4	4x5B	4				
11B	4	4x6B	4				
12B	4						
13B	4						
14B	4						
15B	4						
16B	4						

# ULTRATRAY 4



## Stackable drawer for SP grommets

### FEATURES

- Organizer drawer for SP grommets
- Equipped with 4 compartments
- Dimensions 290x180x110mm
- Freely movable transparent internal compartment
- Ready for wall mounting

The practical drawer contains 120 grommets from the SPC R or SPP R series, divided into 4 internal adjustable compartments for easy organization. Equipped with slides on all four sides, it is easily stackable and can be placed side by side with other UltraTray 4 drawers, offering a modular and space-saving solution. Ideally suited for organizing and arranging DetasUltra grommets.

### RELATED PRODUCTS

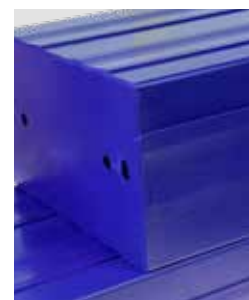
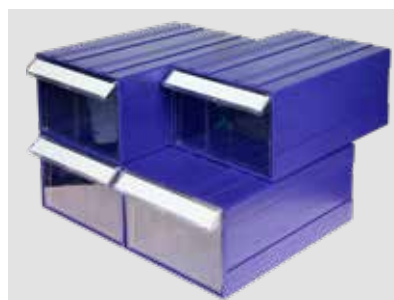
- All SP grommets series



Model	Code	Content	Dimensions (mm)	Pcs (/pack.)
UltraTray 4 SPC R	1736999851	SPC R Grommets	290 x 180 x 110	1
UltraTray 4 SPP R	1736999852	SPP R Grommets	290 x 180 x 110	1
UltraTray 4	1736999850	-	290 x 180 x 110	1

UltraTray 4 SPC R		
SPC R grommets drawer contents		
Model	Ø Cable (mm)	Pcs
OG	-	30
R1G	3 - 6	30
R2G	6 - 9	30
R3G	9 - 12	30

UltraTray 4 SPP R		
SPP R grommets drawer contents		
Model	Ø Cable (mm)	Pcs
R1G	3 - 6	30
R2G	6 - 9	30
R3G	9 - 12	30
R4G	12 - 15	30





# DES Z



## Cable frame with brush

### FEATURES

- Brush frame for cables with or without connectors
- Tidy and cost effective solution
- Available in three sizes (24, 16 and 10)

The DES Z series allows cables with or without connectors to pass through cabinets and electrical panels where no water protection or mechanical cable sealing is required. Thanks to its split frame, the DES HZ 24 model can be easily installed even when the cables have already been laid. This ensures a neat and orderly cable arrangement.

**Material:** PC, halogen-free, silicone-free  
**Flammability:** self-extinguishing acc. to UL94-V0  
**Temperature:** -25°C... +80°C (static)

### RELATED PRODUCTS

- DES Cover (page 36)
- HY360 hydraulic punch driver (page 179)
- PF cable entry system plates (page 181)
- EMCZ (page 167)

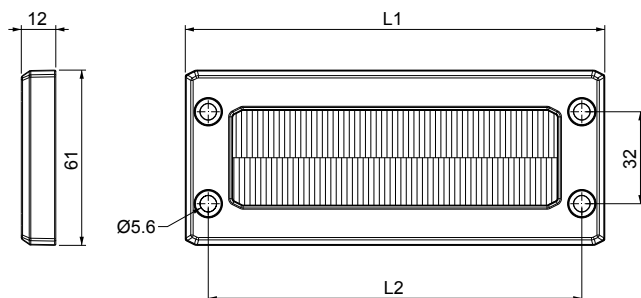


Model	Code	Dimensions (mm)		Max. cut-out (mm)	Pcs (/pack)
		L1	L2		
DES Z 24	1731060024	146	130	112 x 36	10
DES Z 16	1731060016	120	103	86 x 36	
DES Z 10	1731060010	99	83	65 x 36	
<b>NEW</b> DES HZ 24	1731060124	146	130	112 x 36	



DES HZ 24

### Dimensions (mm)



## Splittable frame with double brush

### FEATURES

- Brush frame for cables with or without connectors
- Double brush offering increased dust protection
- 8 different models (24, 16, 10, Q, L5, L4, L3 and L2)

The DES ZZ is a splittable frame with 2 rows of brushes.

The DES ZZ series can be used for cables with or without connectors, when there is no need for liquid tightness and strain relief. Effective protection against dust and dirt thanks to the double brush.

**Material:** PP+GF, halogen-free, silicone-free

**Flammability:** self-extinguishing acc. to UL94-V0

**Temperature:** -25°C... +80°C (static)

### RELATED PRODUCTS

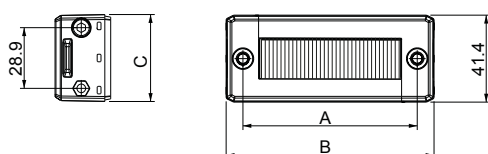
- DES Cover (page 36)
- DES Flap (page 37)
- HY360 hydraulic punch driver (page 179)
- PF cable entry system plates (page 181)
- EMCZ (page 167)



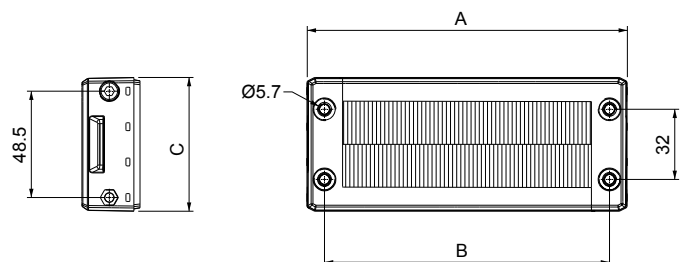
Model	Code	Dimensions (mm)			Max. cut-out (mm)	Pcs (/pack)
		A	B	C		
DES ZZ-24	1731060224	146	130	61	112 x 36	1
DES ZZ-16	1731060216	120	103	61	86 x 36	
DES ZZ-10	1731060210	99	83	61	65 x 36	
DES ZZ-Q	1731060208	74	58	61	40 x 36	
DES ZZ-L5	1731060205	146	130	41,4	108 x 18	
DES ZZ-L4	1731060204	120	103	41,4	86 x 18	
DES ZZ-L3	1731060203	99	83	41,4	63 x 18	
DES ZZ-L2	1731060202	74	58	41,4	40 x 18	
Upon request	1731991020	Set of 4 mounting screws in AISI304 with Black Geomet finishing				

### Dimensions (mm)

DES ZZ-L2 / DES ZZ-L3 / DES ZZ-L4 / DES ZZ-L5



DES ZZ-Q / DES ZZ-10 / DES ZZ-16 / DES ZZ-24





# DESCCLICK Z



## Divisible frame with single brush

### FEATURES

- Without screws
- Metric threads M32 and M50
- Cost-effective solution
- Black version

DESCCLICK Z is a divisible frame with a single brush providing protection against dust and dirt.

**Material:** PC, halogen-free, silicone-free

**Flammability:** self-extinguishing  
acc. to UL94-V0

**Temperature:** -25°C... +80°C (static)

### RELATED PRODUCTS

- HY360 hydraulic punch driver (page 179)
- Divisible locknuts (page 49)

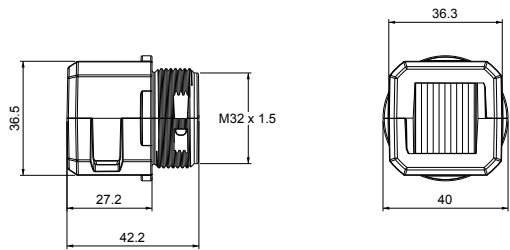


Model	Code	Metric thread	Ø Max. cut-out (mm)	Pcs (/pack)
DESCCLICK Z 32	1731060332	M32 x 1,5	32,5	10
DESCCLICK Z 50	1731060350	M50 x 1,5	50,5	

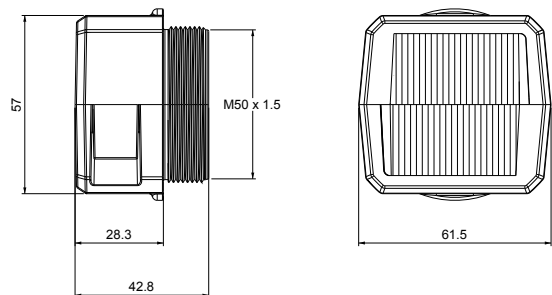
### Dimensions (mm)



DESCCLICK Z 32



DESCCLICK Z 50



### FEATURES

- Double brush frame for cables with and without connectors
- Frame screws in AISI304 Stainless Steel with Black Dacromet finishing
- Metric threads M32 and M63
- Double frame offering increased dust protection

DESPRED ZZ consists of a square frame with two rows of brushes. Excellent protection is offered against dust and dirt thanks to the double brush.

**Material:** PP+GF, halogen-free, silicone-free

**Flammability:** self-extinguishing

acc. to UL94-V0

**Temperature:** -25°C... +80°C (static)

### RELATED PRODUCTS

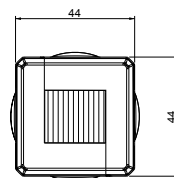
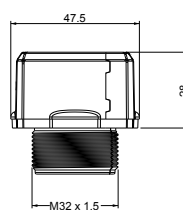
- HY360 hydraulic punch driver (page 179)
- Divisible locknuts (page 49)
- EMCZ-M (page 168)



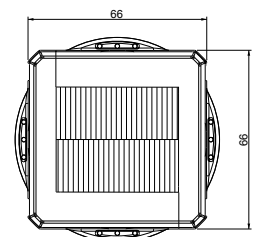
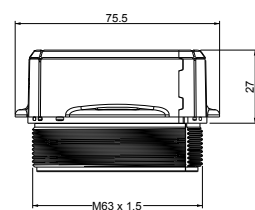
Model	Code	Metric thread	Ø Max. cut-out (mm)	Pcs (/pack)
DESPRED ZZ 32	1731060232	M32 x 1,5	32,5	1
DESPRED ZZ 63	1731060263	M63 x 1,5	63,5	

### Dimensions (mm)

DESPRED ZZ 32



DESPRED ZZ 63





# DES 24 CLEAN



Splittable frame "Hygienic Design" for cables with and without connectors

## FEATURES

- Easy to wash
- IP66 / IP69K with all configurations of grommets
- Strain relief according to EN 62444
- Without screw seats and sharp corners
- Overmolded gasket
- Rear installation with overmolded threaded screws



The DES 24 CLEAN splittable frame consists of the well-known DES 24 divisible frame and an FDA PC mask that fixed onto the frame via overmoulded inserts. Therefore, the final solution with the grommets installed is not only a frame with a different color, but it is a device which is in full compliance with the needs of the Hygienic Design in food&beverage machines. The absence of sharp corners, screw seats and the ease of cleaning and removing dirt makes DES 24 Clean an unique solution. The system allows the use of cables with and without connectors with diameters from 2 to 35 mm. The divisible grommets, also produced with FDA certified material, can be freely positioned inside the frame. IP66, IP69K protection rating is achieved with any grommets combination.

**Material:** FDA certified PC, halogen-free, silicone-free  
**Flammability:** acc. UL94-HB  
**Temperature:** -40°C... +80°C

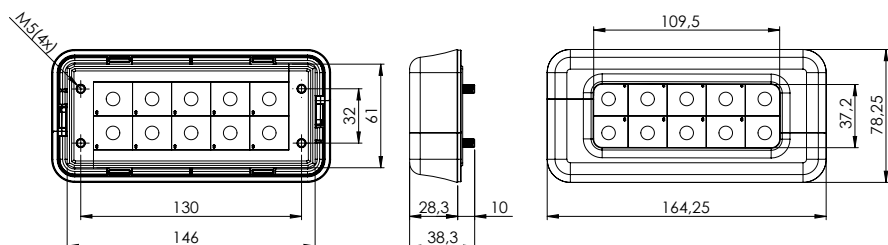
## RELATED PRODUCTS

- SPP C grommets (page 90)
- SPG C grommets (page 90)



Model	Code	Some possible configurations	Max. cut-out (mm)	Pcs (/pack)
DES 24 CLEAN	1731260024		112 x 36	1

## Dimensions (mm)



IP66  
IP69K

UL TYPE  
12, 4X\*  
\*indoor only





# DES Q CLEAN



## Splittable frame "Hygienic Design" for cables with and without connectors

### FEATURES

- Easy to wash
- IP66 / IP69K with all configurations of grommets
- Strain relief according to EN 62444
- Without screw seats and sharp corners
- Overmolded gasket
- Rear installation with overmolded threaded screws



The DES Q CLEAN splittable frame consists of the well-known DES Q divisible frame and an FDA PC mask that fixed onto the frame via overmolded inserts. Therefore, the final solution with the grommets installed is not only a frame with a different color, but it is a device which is in full compliance with the needs of the Hygienic Design in food&beverage machines. The absence of sharp corners, screw seats and the ease of cleaning and removing dirt make DES Q Clean an unique solution. The system allows the use of cables with and without connectors with diameters from 2 to 35 mm. The divisible grommets, also produced with FDA certified material, can be freely positioned inside the frame. IP66, IP69K protection rating is achieved with any grommets combination.

**Material:** FDA certified PC, halogen-free, silicone-free

**Flammability:** acc. UL94-HB

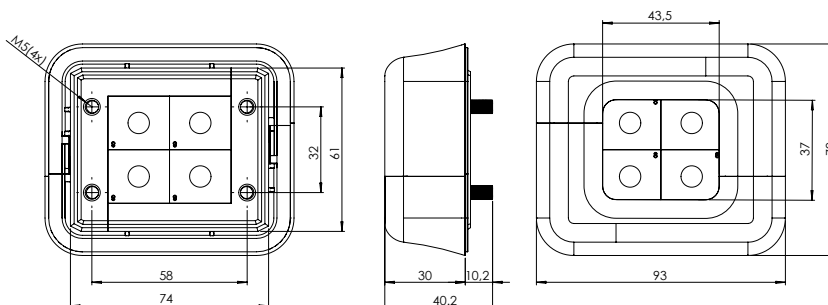
**Temperature:** -40°C... +80°C

### RELATED PRODUCTS

- SPP C grommets (page 90)
- SPG C grommets (page 90)

Model	Code	Some possible configurations	Max. cut-out (mm)	Pcs (/pack)
DES Q CLEAN	1731260008		40 x 36	1

### Dimensions (mm)

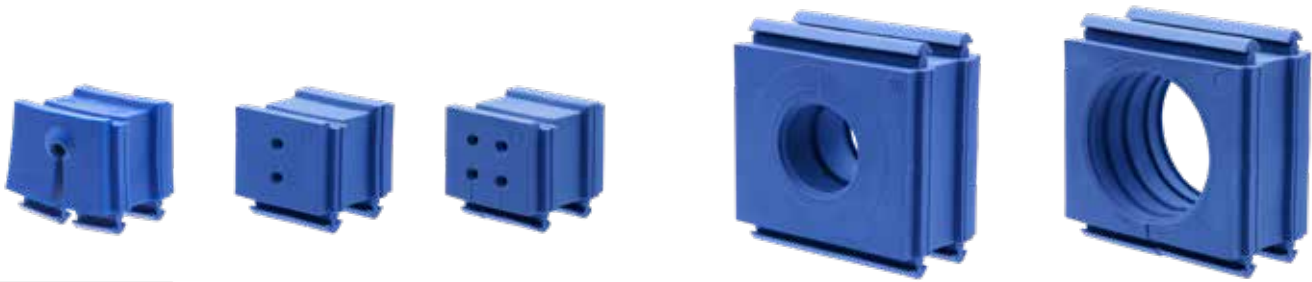




# SPP C / SPG C



FDA small and large grommets



## FEATURES

- Cable grommets for cables from 2 to 35 mm diameter
- Single hole, multi-range, double and quadruple
- "Blind" version available
- FDA certified material
- UL94-HB
- Blue color
- IP66 / IP69K

The FDA grommets SPP C and SPG C are mainly used in food machinery for routing cables with and without connectors with diameters from 2 to 35mm.

The SPP-C 2x and 4x are indicated to increase the number of cables in the same frame.

**Material:** FDA 21 CFR 177.2600 certified TPE, halogen-free, silicone-free

**Flammability:** acc. UL94-HB

**Temperature:** -40°C... +80°C

## RELATED PRODUCTS

- DES 24 CLEAN
- DES Q CLEAN

Model	Code	Ø Cable (mm)	Pcs (/pack)
-------	------	--------------	-------------



<b>SPP 0 C</b>	1731260100	"Blind"	10
<b>SPP 2 C</b>	1731260102	2-3	
<b>SPP R1C</b>	1731260103	3-6	
<b>SPP R2C</b>	1731260106	6-9	
<b>SPP R3C</b>	1731260109	9-12	
<b>SPP R4C</b>	1731260112	12-15	
<b>SPP 16 C</b>	1731260116	16-17	



<b>SPP 2x2 C</b>	1731260142	2 x 2	10
<b>SPP 2x3 C</b>	1731260143	2 x 3	
<b>SPP 2x4 C</b>	1731260144	2 x 4	
<b>SPP 2x5 C</b>	1731260145	2 x 5	
<b>SPP 2x6 C</b>	1731260146	2 x 6	
<b>SPP 2x7 C</b>	1731260147	2 x 7	
<b>SPP 2x8 C</b>	1731260148	2 x 8	



<b>SPP 4x2 C</b>	1731260152	4 x 2	10
<b>SPP 4x3 C</b>	1731260153	4 x 3	
<b>SPP 4x4 C</b>	1731260154	4 x 4	
<b>SPP 4x5 C</b>	1731260155	4 x 5	
<b>SPP 4x6 C</b>	1731260156	4 x 6	

Model	Code	Ø Cable (mm)	Pcs (/pack)
-------	------	--------------	-------------



<b>SPG 0 C</b>	1731260117	"Blind"	10
<b>SPG 18 C</b>	1731260118	18-19	
<b>SPG 19 C</b>	1731260119	19-20	
<b>SPG 20 C</b>	1731260120	20-21	
<b>SPG 21 C</b>	1731260121	21-22	
<b>SPG 22 C</b>	1731260122	22-23	
<b>SPG 23 C</b>	1731260123	23-24	
<b>SPG 24 C</b>	1731260124	24-25	
<b>SPG 25 C</b>	1731260125	25-26	
<b>SPG 26 C</b>	1731260126	26-27	
<b>SPG 27 C</b>	1731260127	27-28	
<b>SPG 28 C</b>	1731260128	28-29	
<b>SPG 29 C</b>	1731260129	29-30	
<b>SPG 30 C</b>	1731260130	30-31	
<b>SPG 31 C</b>	1731260131	31-32	
<b>SPG 32 C</b>	1731260132	32-33	
<b>SPG 33 C</b>	1731260133	33-34	
<b>SPG 34 C</b>	1731260134	34-35	



IP66  
IP69K



# GROUP 2

CABLE ENTRY PLATES FOR CABLES WITHOUT CONNECTORS



DetasUltra products related to Group 2 are mainly used to route cables without connectors inside electrical equipment, machinery or panels. These products are recommended to save time during the assembly phase and to save space compared to traditional cable glands. Many models are available, with round and rectangular shape, for single or multiple cables. The high quality of the proposed solutions is guaranteed by the several certifications and awards achieved by our products over the years.



# DES PDM 24



Cable entry plates with internal frame and double membrane

## FEATURES

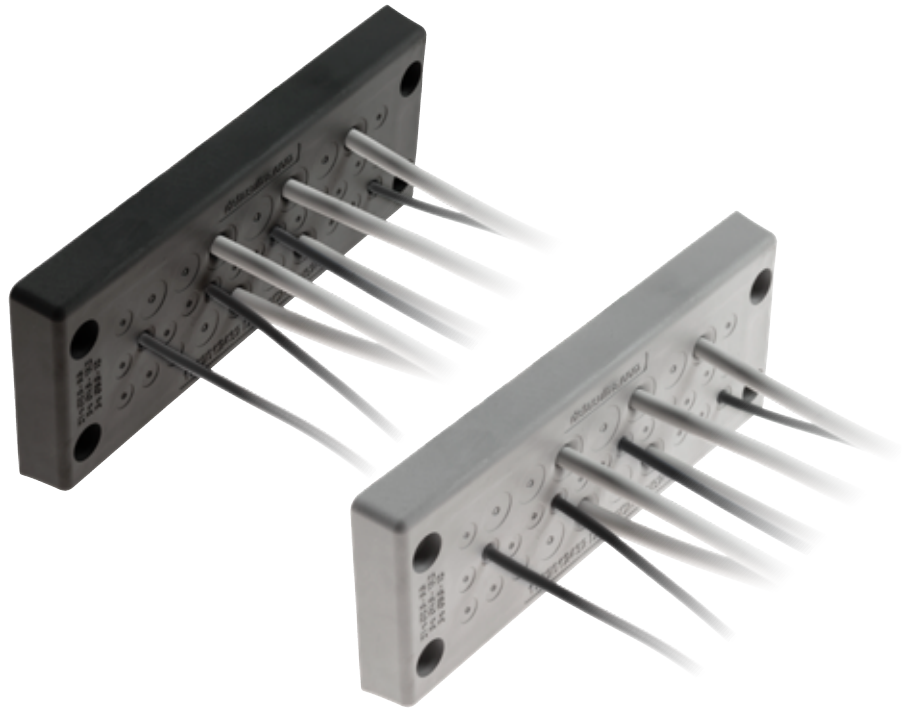
- For a large number of cables without connectors
- High strain relief thanks to the double membrane
- Cost-effective solution
- IP66 and NEMA 4X certified
- ATEX version on request (see group 7)
- Threaded inserts version on request

The DES PDM 24 is an innovative alternative to standard cable glands on electrical, electronic and telecommunication cabinets and equipment. The cable is pushed through the front membrane, whilst the second membrane increases the strain relief and liquid tightness.

**Material:** TPE+PA66, halogen-free, silicone-free

**Flammability:** self-extinguishing acc. to UL94-V0

**Temperature:** -40°C... +105°C (static)



## RELATED PRODUCTS

- IFP plugs (page 117)
- HY360 hydraulic punch driver (page 179)
- PF/PFX cable entry system plates (from page 181)
- EMCZ (page 167)
- Intumescent gasket (page 178)

**NC:** Number of cables

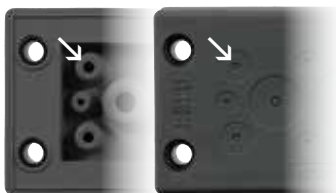
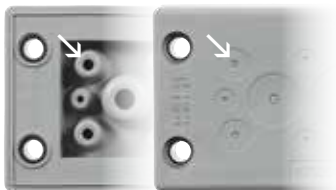
**ØC:** Diameter of cables - min/max (mm)

Model	Code	
● DES PDM 24/3G	1732012403	
● DES PDM 24/3B	1732013403	
Cut-out (mm)	Plate (mm)	Pcs/pack
112 x 36	148,8 x 59,6	10
<b>NC</b>	<b>ØC</b>	
3	18 / 26	

Model	Code	
● DES PDM 24/12G	1732012412	
● DES PDM 24/12B	1732013412	
Cut-out (mm)	Plate (mm)	Pcs/pack
112 x 36	148,8 x 59,6	10
<b>NC</b>	<b>ØC</b>	
12	9 / 16	

Model	Code	
● DES PDM 24/14G	1732012414	
● DES PDM 24/14B	1732013415	
Cut-out (mm)	Plate (mm)	Pcs/pack
112 x 36	148,8 x 59,6	10
<b>NC</b>	<b>ØC</b>	
10	2,8 / 6,5	
4	14,5 / 22	

Model	Code	
● DES PDM 24/15G	1732012415	
● DES PDM 24/15B	1732013416	
Cut-out (mm)	Plate (mm)	Pcs/pack
112 x 36	148,8 x 59,6	10
<b>NC</b>	<b>ØC</b>	
15	6,8 / 12	



Double parallel membrane

\* Indoor only



IP66  
IP68

NEMA  
12, 4X

UL TYPE  
12, 4X\*  
\*Indoor only





# DES PDM 24



Cable entry plates with internal frame and double membrane

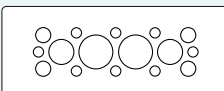
Model	Code
● DES PDM 24/16G	1732012416
● DES PDM 24/16B	1732013417

Cut-out (mm)	Plate (mm)	Pcs/pack
112 x 36	148,8 x 59,6	10

NC	ØC
8	2,8 / 6,5
4	4,4 / 9,7
2	8,6 / 16,2
2	14,5 / 22



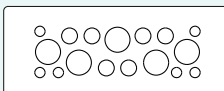
Model	Code
● DES PDM 24/17G	1732012417
● DES PDM 24/17B	1732013418

Cut-out (mm)	Plate (mm)	Pcs/pack
112 x 36	148,8 x 59,6	10

NC	ØC
6	2,8 / 6,5
6	4,6 / 10,2
5	8,6 / 16,2



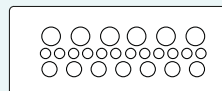
Model	Code
● DES PDM 24/25G	1732012425
● DES PDM 24/25B	1732013426

Cut-out (mm)	Plate (mm)	Pcs/pack
112 x 36	148,8 x 59,6	10

NC	ØC
12	2,8 / 6,5
7	4,4 / 9,7
6	6,8 / 12



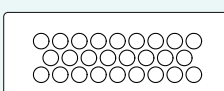

Model	Code
● DES PDM 24/26G	1732012426
● DES PDM 24/26B	1732013427

Cut-out (mm)	Plate (mm)	Pcs/pack
112 x 36	148,8 x 59,6	10

NC	ØC
26	4,6 / 10



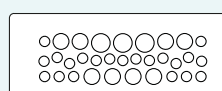
Model	Code
● DES PDM 24/32G	1732012432
● DES PDM 24/32B	1732013433

Cut-out (mm)	Plate (mm)	Pcs/pack
112 x 36	148,8 x 59,6	10

NC	ØC
21	2,8 / 6,5
8	4,6 / 10,2
3	6,8 / 12



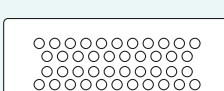

Model	Code
● DES PDM 24/42G	1732012442
● DES PDM 24/42B	1732013443

Cut-out (mm)	Plate (mm)	Pcs/pack
112 x 36	148,8 x 59,6	10

NC	ØC
42	2,8 / 6,5



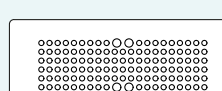
Model	Code
● DES PDM 24/124G	1732012421

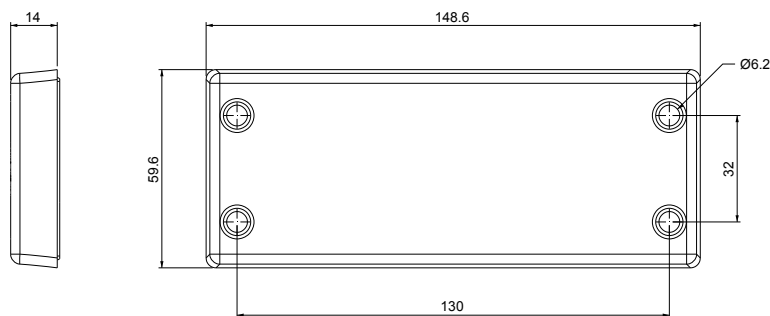
Cut-out (mm)	Plate (mm)	Pcs/pack
112 x 36	148,8 x 59,6	10

NC	ØC
120	1,75 / 4,7
4	2,3 / 6



### Dimensions (mm)



\* Indoor only



IP66  
IP68

NEMA  
12, 4X

UL TYPE  
12, 4X\*



ECOLAB



RoHS  
COMPLIANT





# DES PDM 10



Cable entry plates with internal frame and double membrane

## FEATURES

- Compact dimensions
- For a large number of cables without connectors
- High strain relief thanks to the double membrane
- Space saving and cost-effective solution
- IP66 and NEMA 4X
- Threaded inserts version on request

The DES PDM 10 is an innovative alternative to standard cable glands on electrical, electronic and telecommunication cabinets and equipments. The cable is pushed through the front membrane, whilst the second membrane increases the strain relief and liquid tightness.

**Material:** TPE+PA66, halogen-free, silicone-free

**Flammability:** self-extinguishing acc. to UL94-V0

**Temperature:** -40°C... +105°C (static)

## RELATED PRODUCTS

- IFP plugs (page 117)
- EMCZ (page 167)

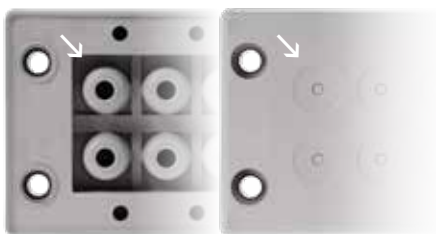


**NC:** Number of cables    **ØC:** Diameter of cables - min/max (mm)

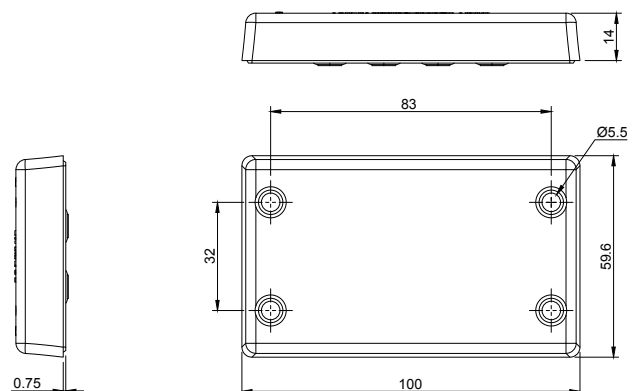
Model	Code		NC	ØC
DES PDM 10/8G	1732011008		8	6,8 / 12
<b>Cut-out (mm)</b>	<b>Plate (mm)</b>	<b>Pcs/pack</b>		
65 x 36	100 x 59,6	10		

Model	Code		NC	ØC
DES PDM 10/26G	1732011026		26	2,8 / 6,5
<b>Cut-out (mm)</b>	<b>Plate (mm)</b>	<b>Pcs/pack</b>		
65 x 36	100 x 59,6	10		

## Dimensions (mm)



Double parallel membrane



IP66  
IP68

NEMA  
12, 4X

UL TYPE  
12, 4X\*  
\*indoor only

HL3  
EN 45545-2

ECOLAB

UL94-V0

UV  
ISO 4892-2A

RoHS  
COMPLIANT



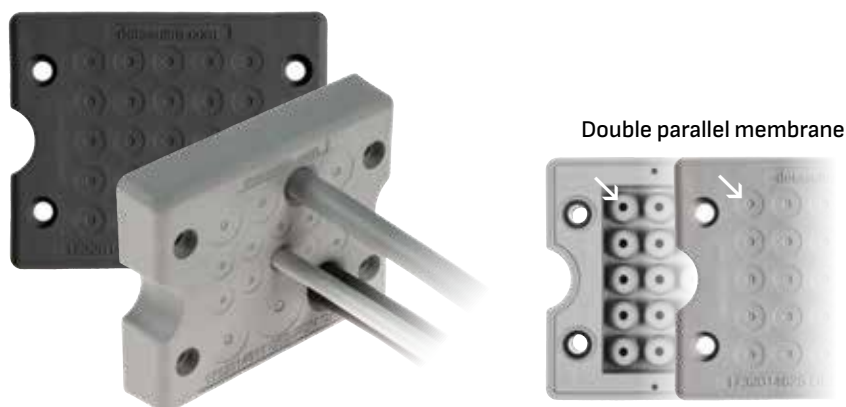
# DES PDM Q



## Cable entry plates with internal frame and double membrane

### FEATURES

- For a large number of cables without connectors
- High strain relief thanks to the double membrane
- Cost-effective solution
- IP66 and NEMA 4X certified
- ATEX version on request (see group 7)
- Threaded inserts version on request



The DES PDM Q is an innovative alternative to standard cable glands on electrical, electronic and telecommunication cabinets and equipment.

The cable is pushed through the front membrane, whilst the second membrane increases the strain relief and liquid tightness.

**Material:** TPE+PA66, halogen-free, silicone-free

**Flammability:** self-extinguishing acc. to UL94-V0

**Temperature:** -40°C... +105°C (static)

### RELATED PRODUCTS

- IFP plugs (page 117)
- HY360 hydraulic punch driver (page 179)
- EMCZ (page 167)
- Intumescent gasket (page 178)

**NC:** Number of cables

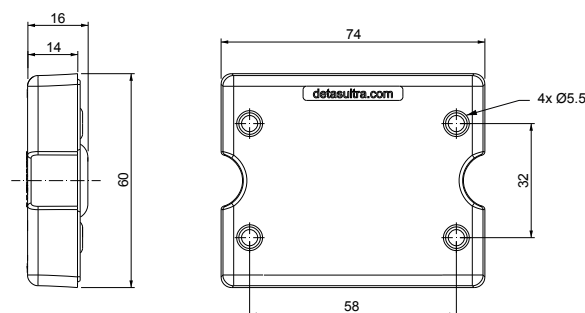
**ØC:** Diameter of cables - min/max (mm)

Model	Code		NC	ØC
● DES PDM Q 13G	1732014613		8	2,8 / 6,5
● DES PDM Q 13B	1732015614		4	4,6 / 10,2
● DES PDM Q 13B	1732015614	1	14,5 / 22	
Cut-out (mm)	Plate (mm)	Pcs/pack		
46 x 46	74 x 60	10		

Model	Code		NC	ØC
● DES PDM Q 17G	1732014617		10	2,8 / 6,5
● DES PDM Q 17B	1732015618		4	4,6 / 10,2
● DES PDM Q 17B	1732015618	2	6,8 / 12	
● DES PDM Q 17B	1732015618	1	8,6 / 16,2	
Cut-out (mm)	Plate (mm)	Pcs/pack		
46 x 46	74 x 60	10		

Model	Code		NC	ØC
● DES PDM Q 25G	1732014625		25	2,8 / 6,5
● DES PDM Q 25B	1732015626			
Cut-out (mm)	Plate (mm)	Pcs/pack		
46 x 46	74 x 60	10		

### Dimensions (mm)



IP66

up to NEMA 12, 4X

UL TYPE 12, 4X\*  
\*indoor only



ECOLAB

UL94-V0



RoHS COMPLIANT





# DES PDM 24 FT



Cable entry plates with internal frame and threaded inserts

## FEATURES


- Rear installation with M4 threaded inserts
- Frontal closing cap to avoid dirt
- For a large number of cables without connectors
- High strain relief thanks to the double membrane

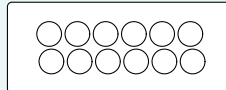


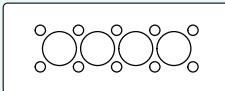
The DES PDM 24 FT is an innovative alternative to standard cable glands on electrical, electronic cabinets and equipment. The cable is pushed through the front membrane, whilst the second membrane increases the strain relief and liquid tightness.

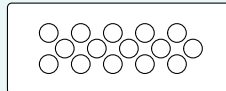
They are equipped with threaded inserts for M4 screws and with front closing caps, which allow assembly from the rear of the frame and keep the product clean from the front, preventing dirt from depositing in the screw seats.

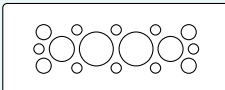
**NC: Number of cables**      **ØC: Diameter of cables - min/max (mm)**

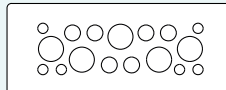
Model	Code	
DES PDM 24/3G FT	1732212403	
Cut-out (mm)	Plate (mm)	Pcs/pack
112 x 36	148,8 x 59,6	10
		
<b>NC</b>	<b>ØC</b>	
3	18 / 26	

Model	Code	
DES PDM 24/12G FT	1732212412	
Cut-out (mm)	Plate (mm)	Pcs/pack
112 x 36	148,8 x 59,6	10
		
<b>NC</b>	<b>ØC</b>	
12	9 / 16	

Model	Code	
DES PDM 24/14G FT	1732212414	
Cut-out (mm)	Plate (mm)	Pcs/pack
112 x 36	148,8 x 59,6	10
		
<b>NC</b>	<b>ØC</b>	
10	2,8 / 6,5	
4	14,5 / 22	

Model	Code	
DES PDM 24/15G FT	1732212415	
Cut-out (mm)	Plate (mm)	Pcs/pack
112 x 36	148,8 x 59,6	10
		
<b>NC</b>	<b>ØC</b>	
15	6,8 / 12	

Model	Code	
DES PDM 24/16G FT	1732212416	
Cut-out (mm)	Plate (mm)	Pcs/pack
112 x 36	148,8 x 59,6	10
		
<b>NC</b>	<b>ØC</b>	
8	2,8 / 6,5	
4	4,4 / 9,7	
2	8,6 / 16,2	
2	14,5 / 22	

Model	Code	
DES PDM 24/17G FT	1732212417	
Cut-out (mm)	Plate (mm)	Pcs/pack
112 x 36	148,8 x 59,6	10
		
<b>NC</b>	<b>ØC</b>	
6	2,8 / 6,5	
6	4,6 / 10,2	
5	8,6 / 16,2	



IP66  
IP68

NEMA  
12, 4X

UL TYPE  
12, 4X  
\*Indoor only



ECOLAB

UL94-V0



RoHS  
COMPLIANT





# DES PDM 24 FT



Cable entry plates with internal frame and threaded inserts



M4 threaded inserts

**Material:** TPE+PA66, halogen-free, silicone-free

**Flammability:** self-extinguishing acc. to UL94-V0

**Temperature:** -40°C... +105°C (static)

## RELATED PRODUCTS

- IFP plugs (page 117)
- DES PDM caps (page 117)
- HY360 hydraulic punch driver (page 179)
- PF/PFX cable entry system plates (from page 181)
- EMCZ (page 167)

Black version upon request

Model	Code	
DES PDM 24/25G FT	1732212425	
Cut-out (mm)	Plate (mm)	Pcs/pack
112 x 36	148,8 x 59,6	10
		<b>NC</b> 12 <b>ØC</b> 2,8 / 6,5 7 4,4 / 9,7 6 6,8 / 12

Model	Code	
DES PDM 24/26G FT	1732212426	
Cut-out (mm)	Plate (mm)	Pcs/pack
112 x 36	148,8 x 59,6	10
		<b>NC</b> 26 <b>ØC</b> 4,6 / 10

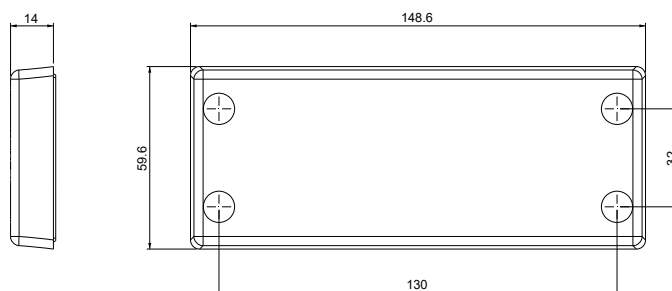
Model	Code	
DES PDM 24/32G FT	1732212432	
Cut-out (mm)	Plate (mm)	Pcs/pack
112 x 36	148,8 x 59,6	10
		<b>NC</b> 21 <b>ØC</b> 2,8 / 6,5 8 4,6 / 10,2 3 6,8 / 12

Model	Code	
DES PDM 24/42G FT	1732212442	
Cut-out (mm)	Plate (mm)	Pcs/pack
112 x 36	148,8 x 59,6	10
		<b>NC</b> 42 <b>ØC</b> 2,8 / 6,5

Model	Code	
DES PDM 24/124G FT	1732213421	
Cut-out (mm)	Plate (mm)	Pcs/pack
112 x 36	148,8 x 59,6	10
		<b>NC</b> 120 <b>ØC</b> 1,75 / 4,7 4 2,3 / 6

**NC:** Number of cables    **ØC:** Diameter of cables - min/max (mm)

## Dimensions (mm)



IP66  
IP68

NEMA  
12, 4X

UL TYPE  
12, 4X  
\*Indoor only



ECOLAB

UL94-V0



RoHS  
COMPLIANT





# DES PDM 24 ZIP



Cable entry plates with internal frame, threaded inserts and snap mounting

## FEATURES

- Rear installation with M5 threaded inserts
- Smooth angles
- For cables without connectors
- High strain relief thanks to the double membrane
- IP66 and NEMA 4X certified
- Wall thickness for snap mounting 1,5-2 mm



DES PDM 24 ZIP cable entry plates are used for cables without connectors and are characterized by an elegant design with rounded corners which avoid the accumulation of dirt.

Fixing takes place from inside the panel with 4 screws or snapped thanks to the hooks in the rear area.

**Material:** TPE+PA66, halogen-free, silicone-free

**Flammability:** self-extinguishing acc. UL94-V0

**Temperature:** -40°C... +105°C (static)

## RELATED PRODUCTS

- IFP plugs (page 117)
- HY360 hydraulic punch driver (page 179)
- PF/PFX cable entry system plates (from page 181)
- EMCZ (page 167)

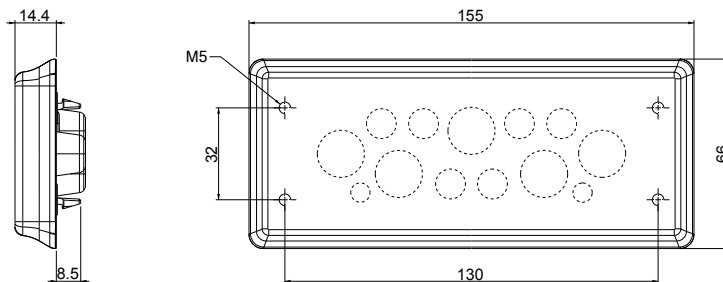
Model	Code		NC	ØC	
DES PDM ZIP 24/13G	1732026013		2	2,8 / 6,5	
<b>Cut-out (mm)</b>	<b>Plate (mm)</b>		<b>Pcs/pack</b>	6	4,6 / 10,2
112 x 36	155 x 66		1	5	8,6 / 16,2

Modello	Code		NC	ØC	
DES PDM ZIP 24/25G	1732026025		12	2,8 / 6,5	
<b>Cut-out (mm)</b>	<b>Plate (mm)</b>		<b>Pcs/pack</b>	7	4,4 / 9,7
112 x 36	155 x 66		1	6	6,8 / 12

Modello	Code		NC	ØC	
DES PDM ZIP 24/32G	1732026032		21	2,8 / 6,5	
<b>Cut-out (mm)</b>	<b>Plate (mm)</b>		<b>Pcs/pack</b>	8	4,6 / 10,2
112 x 36	155 x 66		1	3	6,8 / 12

NC: Number of cables    ØC: Diameter of cables - min/max (mm)

## Dimensions (mm)



IP66  
IP68

NEMA  
12, 4X\*

UL TYPE  
12, 4X



ECOLAB

UL94-V0



RoHS  
COMPLIANT



## Cable entry plates with internal frame and double membrane

### FEATURES

- For max 22 cables
- High strain relief thanks to the double membrane
- Cost-effective solution
- Threaded inserts version on request

The DES PDM S is an innovative alternative to standard cable glands on electrical, electronic and telecommunication cabinets and equipment.

The cable is pushed through the front membrane, whilst the second membrane increases the strain relief and liquid tightness.

**Material:** TPE+PA66, halogen-free, silicone-free

**Flammability:** self-extinguishing acc. to UL94-V0

**Temperature:** -40°C... +110°C (static)



Double parallel membrane



Model	Code		NC	ØC
● DES PDM S 112/7G	1732021127		7	6,8 / 12
● DES PDM S 112/7B	1732022127			
Cut-out (mm)	Plate (mm)	Pcs/pack		
112 x 18	150 x 32	10		

### RELATED PRODUCTS

- IFP plugs (page 117)

Model	Code		NC	ØC
● DES PDM S 112/22G	1732021122		22	3,2 / 6,5
● DES PDM S 112/22B	1732022122			
Cut-out (mm)	Plate (mm)	Pcs/pack		
112 x 18	150 x 32	10		

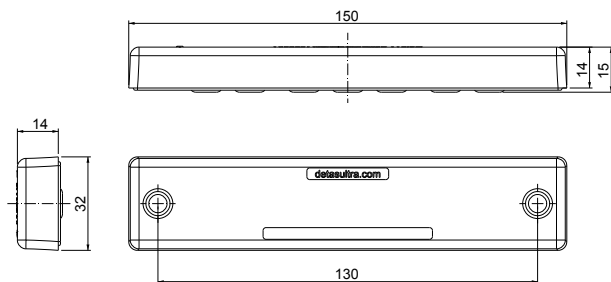
Model	Code		NC	ØC
● DES PDM S 100/4G	1732021126		4	6,8 / 12
Cut-out (mm)	Plate (mm)	Pcs/pack		
65 x 20	96 x 26	10		

**NC:** Number of cables

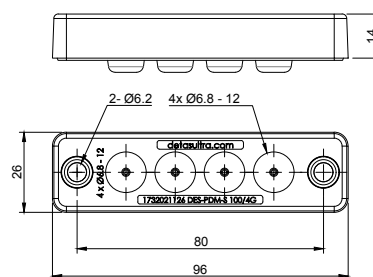
**ØC:** Diameter of cables - min/max (mm)

### Dimensions (mm)

DES PDM S 112/7 - DES PDM S 112/22



DES PDM S 100/4



IP66

NEMA 12

UL TYPE 12



ECOLAB

UL94-V0



RoHS COMPLIANT



# DES PDM KN



Cable entry plates - large frame and double membrane

## FEATURES

- Up to 72 cables without connectors
- High strain relief thanks to the double membrane
- Internal reinforcing frame
- IP66 - NEMA 4X

The DES PDM KN are multi cable entry plates suitable for the side or the bottom of the cabinet. The fixing holes are for Rittal cabinets. The cable is pushed through the front membrane, whilst the second membrane increases the strain relief and liquid tightness.

**Material:** TPE+PA66, halogen-free, silicone-free

**Flammability:** self-extinguishing acc. to UL94-V0

**Temperature:** -40°C... +110°C (static)

## RELATED PRODUCTS

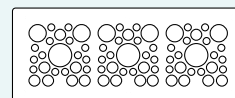
- IFP plugs (page 117)



Model	Code	NC	ØC
● DES PDM KN/72G	1732040072	42	2,8 / 6,5
● DES PDM KN/72B	1732041073	21	4,6 / 10,2
		6	8,6 / 16,2
		3	14,5 / 22

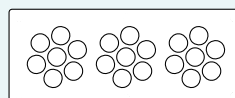
Cut-out (mm)	Plate (mm)	Pcs/pack
192 x 62	221 x 90	1



Model	Code	NC	ØC
● DES PDM KN/21G	1732040021	21	9,5 / 17
● DES PDM KN/21B	1732041021		

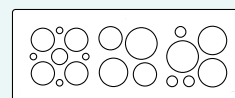
Cut-out (mm)	Plate (mm)	Pcs/pack
192 x 62	221 x 90	1



Model	Code	NC	ØC
● DES PDM KN/19G	1732040019	4	3 / 6
● DES PDM KN/19B	1732041020	3	5 / 10
		1	9 / 15
		6	14 / 22
		3	19 / 27
		2	23 / 20

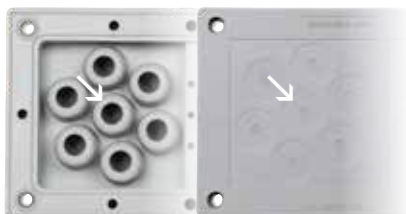
  

Cut-out (mm)	Plate (mm)	Pcs/pack
192 x 62	221 x 90	1

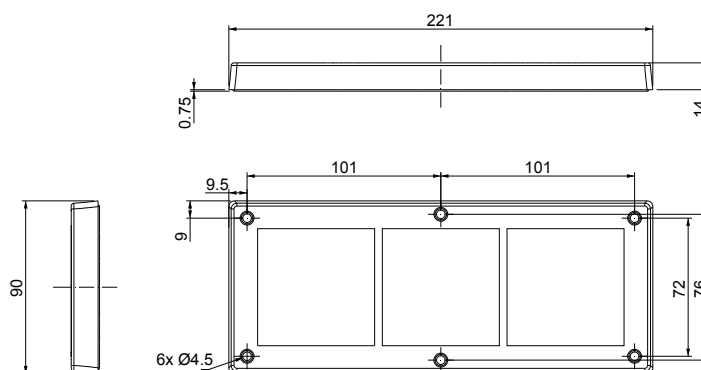


**NC:** Number of cables  
**ØC:** Diameter of cables - min/max (mm)

Double parallel membrane



## Dimensions (mm)



IP66

NEMA 12, 4X

UL TYPE 12



ECOLAB

UL94-V0



RoHS COMPLIANT



# DES PDMU



## Round cable entry grommets for single cable

### FEATURES

- Metric sized
- Cost-effective solution
- IP66 - NEMA 4X

The DES PDMU grommets are used to save space and time as alternative to cable glands. They use the metric holes on cabinets or panels and the double membrane ensures a high water and dust protection.

The cable is pushed through the front membrane, whilst the second membrane increases the strain relief and liquid tightness.

**Material:** TPE+PA66, halogen-free, silicone-free

**Flammability:** self-extinguishing acc. UL94-V0

**Temperature:** -40°C... +110°C (static)

### RELATED PRODUCTS

- IFP plugs (page 117)
- HY360 hydraulic punch driver (page 179)

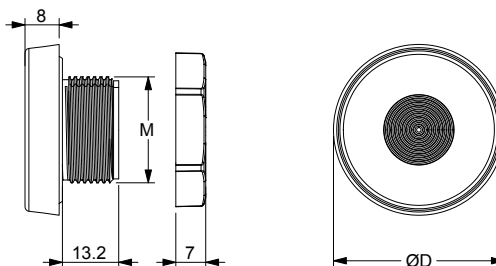


Model	Code	Nr. Cables	Ø max (mm)	Thread	Dimensions (mm)		Pcs (/pack)
					Cut-out	ØD	
DES PDMU 20G	1732030120	1	10,5	M20	20,5	36	10
DES PDMU 25G	1732030125	1	16	M25	25,5	40	
DES PDMU 32G	1732030132	1	22	M32	32,5	46	
DES PDMU 50G	1732030150	1	36	M50	50,5	64	
DES PDMU 20B	1732031120	1	10,5	M20	20,5	36	10
DES PDMU 25B	1732031125	1	16	M25	25,5	40	
DES PDMU 32B	1732031132	1	22	M32	32,5	46	
DES PDMU 50B	1732031150	1	36	M50	50,5	64	

Double parallel membrane



### Dimensions [mm]



IP66

NEMA 12, 4X

UL TYPE 12, 4X\*  
\*Indoor only



ECOLAB

UL94-V0



RoHS COMPLIANT

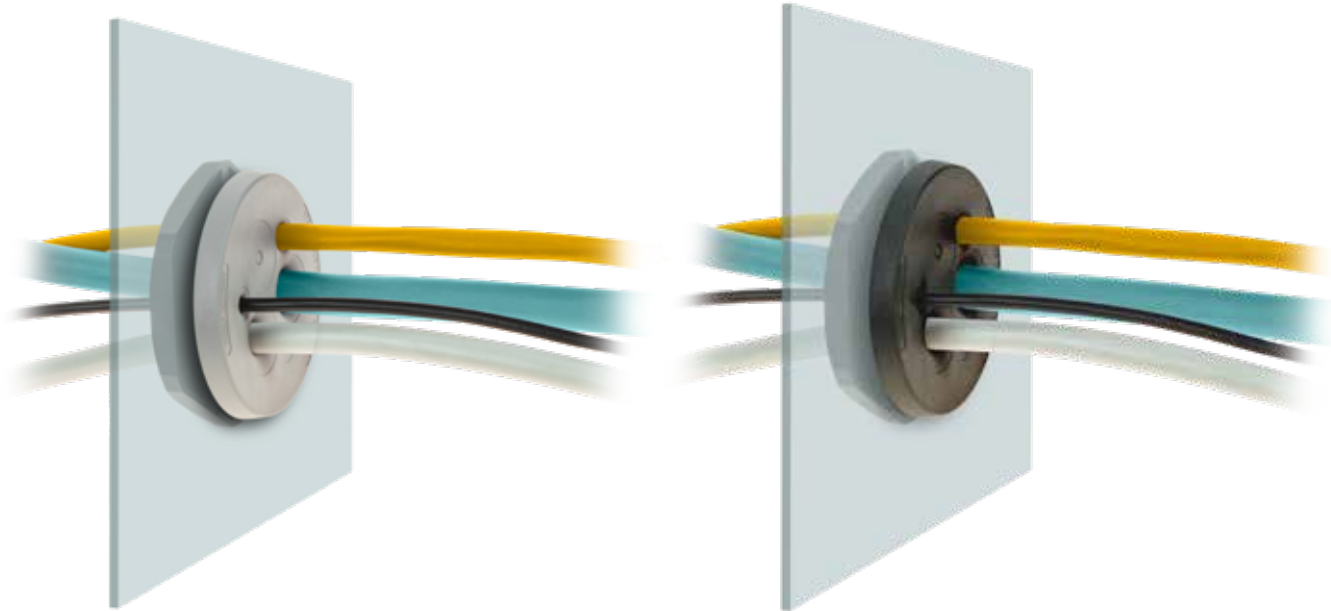




# DES PDM M



Round cable entry plates with internal frame and double membrane

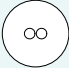


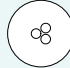
## FEATURES

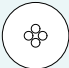
- For a large number of cables without connectors
- High strain relief thanks to the double membrane
- Cost-effective solution
- High IP grade IP66-68 NEMA 4X
- ATEX version on request (Group 7)

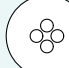
The cable entry plates series DES PDM M are used to save space and time as alternative to cable glands. They use the metric holes on cabinets or machinery and the double membrane guarantees a high strain relief and water and dust protection. The cable is pushed through the front membrane, whilst the second membrane increases the strain relief and liquid tightness.

**NC: Number of cables**  
**ØC: Diameter of cables - min/max (mm)**

Model	Code		
● DES PDM M20/2G	1732032002		
● DES PDM M20/2B	1732033002		
Cut-out	ØD (mm)	H (mm)	Pcs/pack.
M20	36	7	10
	NC	ØC	
	2	2 / 5,5	

Model	Code		
● DES PDM M20/3G	1732032003		
● DES PDM M20/3B	1732033003		
Cut-out	ØD (mm)	H (mm)	Pcs/pack.
M20	36	7	10
	NC	ØC	
	3	2 / 5	

Model	Code		
● DES PDM M20/4G	1732032004		
● DES PDM M20/4B	1732033004		
Cut-out	ØD (mm)	H (mm)	Pcs/pack.
M20	36	7	10
	NC	ØC	
	4	2 / 4,5	

Model	Code		
● DES PDM M25/4G	1732032504		
● DES PDM M25/4B	1732033504		
Cut-out	ØD (mm)	H (mm)	Pcs/pack.
M25	41	7	10
	NC	ØC	
	4	2,6 / 6,2	



IP66  
IP68

NEMA  
12, 4X

UL TYPE  
12, 4X  
\*indoor only



ECOLAB





# DES PDM M



## Round cable entry plates with internal frame and double membrane

**Material:** TPE+PA66, halogen-free, silicone-free

**Flammability:** self-extinguishing acc. to UL94-V0

**Temperature:** -40°C... +105°C (static)

### RELATED PRODUCTS

- IFP plugs (page 117)
- HY360 hydraulic punch driver (page 179)
- EMCZ M (page 168)



Model	Code
● DES PDM M25/6G	1732032506
● DES PDM M25/6B	1732033507

Cut-out	ØD (mm)	H (mm)	Pcs/pack.
M25	41	7	10

NC	ØC
6	2,2 / 5

Model	Code
● DES PDM M32/4G	1732033204
● DES PDM M32/4B	1732034205

Cut-out	ØD (mm)	H (mm)	Pcs/pack.
M32	46	7	10

NC	ØC
3	2,6 / 6,5
1	5,5 / 12,5

Model	Code
● DES PDM M32/4-2G	1732033242
● DES PDM M32/4-2B	1732034252

Cut-out	ØD (mm)	H (mm)	Pcs/pack.
M32	46	7	10

NC	ØC
4	3,5 / 8,8

Model	Code
● DES PDM M32/7G	1732033207
● DES PDM M32/7B	1732034208

Cut-out	ØD (mm)	H (mm)	Pcs/pack.
M32	46	7	10

NC	ØC
7	2,6 / 6,5

Model	Code
● DES PDM M40/8G	1732034008
● DES PDM M40/8B	1732035009

Cut-out	ØD (mm)	H (mm)	Pcs/pack.
M40	54	7	10

NC	ØC
4	2,6 / 6,5
4	4 / 10,2

Model	Code
● DES PDM M40/12G	1732034012
● DES PDM M40/12B	1732034013

Cut-out	ØD (mm)	H (mm)	Pcs/pack.
M40	54	7	10

NC	ØC
12	2 / 6

Model	Code
● DES PDM M50/8G	1732035008
● DES PDM M50/8B	1732036009

Cut-out	ØD (mm)	H (mm)	Pcs/pack.
M50	64	8,5	10

NC	ØC
5	4,6 / 10,2
3	6,8 / 12,5

Model	Code
● DES PDM M50/10G	1732035010
● DES PDM M50/10B	1732036011

Cut-out	ØD (mm)	H (mm)	Pcs/pack.
M50	64	8,5	10

NC	ØC
7	2,8 / 6,5
2	4,6 / 10,2
1	14,5 / 22

Model	Code
● DES PDM M50/12G	1732035012
● DES PDM M50/12B	1732036013

Cut-out	ØD (mm)	H (mm)	Pcs/pack.
M50	64	8,5	10

NC	ØC
4	2,8 / 6,5
8	4,6 / 10,2

Model	Code
● DES PDM M50/19G	1732035019
● DES PDM M50/19B	1732036020

Cut-out	ØD (mm)	H (mm)	Pcs/pack.
M50	64	8,5	10

NC	ØC
19	2,8 / 6,5

2





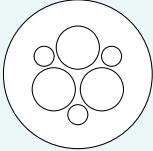
# DES PDM M



## Round cable entry plates with internal frame and double membrane

Model	Code
● DES PDM M63/6G	1732036306
● DES PDM M63/6B	1732037307

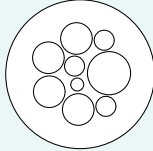
Cut-out	ØD (mm)	H (mm)	Pcs/pack.
M63	77	8,5	10



NC	ØC
3	4,6 / 10,2
3	10,9 / 20

Model	Code
● DES PDM M63/9G	1732036309
● DES PDM M63/9B	1732037310

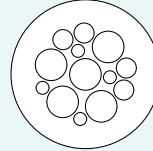
Cut-out	ØD (mm)	H (mm)	Pcs/pack.
M63	77	8,5	10



NC	ØC
1	2,6 / 6
3	4,6 / 10,2
4	8,6 / 16,2
1	10,9 / 20

Model	Code
● DES PDM M63/13G	1732036313
● DES PDM M63/13B	1732037314

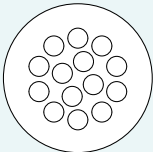
Cut-out	ØD (mm)	H (mm)	Pcs/pack.
M63	77	8,5	10



NC	ØC
4	2,8 / 6
4	4,6 / 10,2
5	9,5 / 16,2

Model	Code
● DES PDM M63/14G	1732036314
● DES PDM M63/14B	1732037315

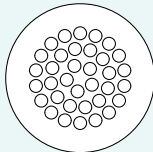
Cut-out	ØD (mm)	H (mm)	Pcs/pack.
M63	77	8,5	10



NC	ØC
14	5 / 10

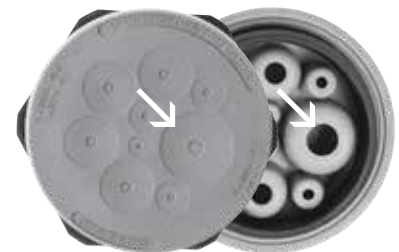
Model	Code
● DES PDM M63/35G	1732036335
● DES PDM M63/35B	1732037336

Cut-out	ØD (mm)	H (mm)	Pcs/pack.
M63	77	8,5	10

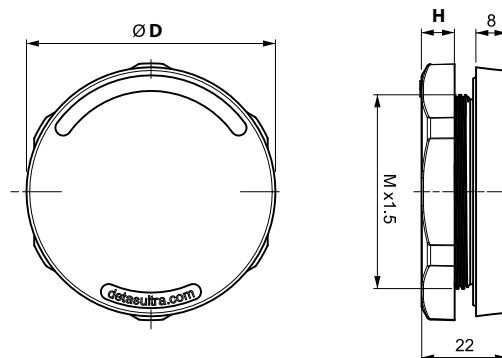


NC	ØC
35	2,6 / 5,5

Double parallel membrane



### Dimensions (mm)



Recommended tightening torque 8 Nm



IP66  
IP68

NEMA  
12, 4X

UL TYPE  
12, 4X  
\*indoor only



ECOLAB

UL94-V0



RoHS  
COMPLIANT





## Round base, cone-shaped grommet with locknut

### FEATURES

- For diameters from 2,5 to 64 mm
- Reinforcing base plate
- Cost-effective solution
- UL94-V0 for grey and black
- ATEX version on request (Group 7)

The DES PDP is available in M25, M32, M40, M50, M63 and M75 sizes, enabling non-terminated cables with diameter from 2,5 to 64 mm to pass through the walls of the electrical cabinets.

The reinforcing base plate increases the stability when large cables are used.

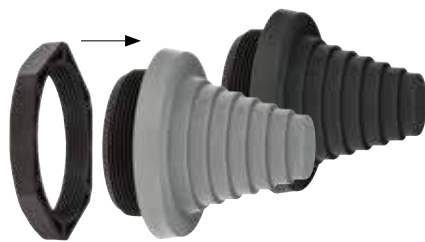
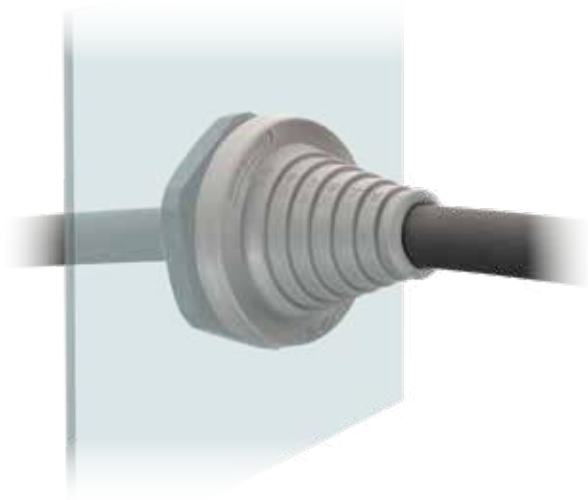
**Material:** TPE+PA66, halogen-free, silicone-free

**Flammability:** self-extinguishing acc. to UL94-V0

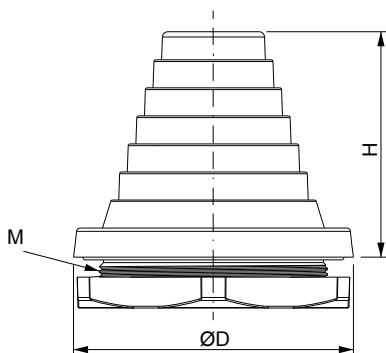
**Temperature:** -40°C... +110°C (static)

### RELATED PRODUCTS

- HY360 hydraulic punch driver (page 179)



Dimensions (mm)



Model	Code	Nr. Cables	Ø Cable min/max (mm)	M	Dimensions (mm)			Pcs x conf.
					Cut-out	ØD	H	
DES PDP 25G	1732050025	1	2,5 / 17	M25 x 1,5	25,5	39	46.5	10
DES PDP 32G	1732050032	1	5 / 23	M32 x 1,5	32,5	46	55.2	
DES PDP 40G	1732050040	1	8 / 29	M40 x 1,5	40,5	54	62	
DES PDP 50G	1732050050	1	19 / 41	M50 x 1,5	50,5	64	50	
DES PDP 63G	1732050063	1	23 / 55	M63 x 1,5	63,5	77	62	
DES PDP 75G	1732050075	1	38 / 64	M75 x 2	75,5	89	64	

Model	Code	Nr. Cables	Ø Cable min/max (mm)	M	Dimensions (mm)			Pcs x conf.
					Cut-out	ØD	H	
DES PDP 25B	1732052025	1	2,5 / 17	M25 x 1,5	25,5	39	46.5	10
DES PDP 32B	1732052032	1	5 / 23	M32 x 1,5	32,5	46	55.2	
DES PDP 40B	1732052040	1	8 / 29	M40 x 1,5	40,5	54	62	
DES PDP 50B	1732052050	1	19 / 41	M50 x 1,5	50,5	64	50	
DES PDP 63B	1732052063	1	23 / 55	M63 x 1,5	63,5	77	62	
DES PDP 75B	1732052075	1	38 / 64	M75 x 2	75,5	89	64	



up to IP66

up to NEMA 12

UL TYPE 12



ECOLAB

UL94-V0



RoHS COMPLIANT





# DES PDPS



## Front mounting single cable conical shaped grommets

### FEATURES

- For diameters from 23 to 64 mm
- Reinforcing base plate
- Cost-effective solution
- UL94-V0 for grey and black
- ATEX version on request (Group 7)

The DES PDPS is available in two sizes, enabling non-terminated cables with diameter from 23 to 64 mm to pass through the walls of the electrical cabinets. The installation of the PDPS is made from the front part, not needing to screw a nut from the opposite part of the wall. The reinforced base plate increases the stability when large cables are used.

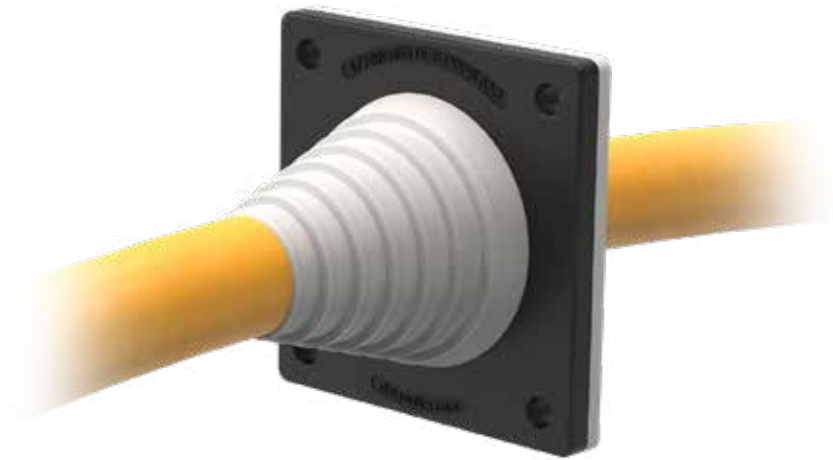
**Material:** TPE+PA66, halogen-free, silicone-free

**Flammability:** self-extinguishing acc. to UL94-V0

**Temperature:** -40°C... +110°C (static)

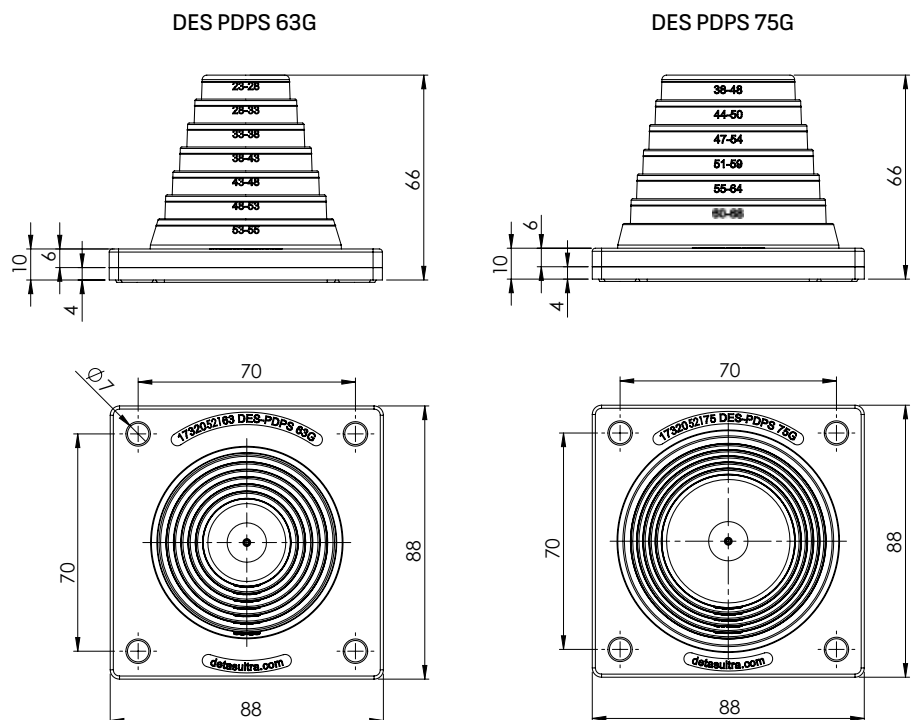
### RELATED PRODUCTS

- HY360 hydraulic punch driver (page 179)



Model	Code	Nr. Cables	Ø Cable min/max (mm)	Ø Hole (mm)	Dimensions (mm)		Pcs x conf.
					Base	Height	
DES PDPS 63G	1732052163	1	23 / 55	max 63,5	88 x 88	66	10
DES PDPS 75G	1732052175	1	38 / 64	max 75,5	88 x 88	66	

### Dimensions (mm)



2



up to IP66

up to NEMA 12

UL TYPE 12



ECOLAB

UL94-V0



RoHS COMPLIANT





# DES PMH 24



Cable entry plates with internal frame and double membrane

## FEATURES

- Compact dimensions, ultra-thin
- For a large number of cables without connectors
- High strain relief thanks to the double membrane
- Space saving and cost-effective solution
- IP66
- Threaded inserts version on request

The DES PMH 24 is an innovative alternative to standard cable glands for machinery cabinets and equipment. Its ultra-thin design allows installation in confined spaces while maintaining excellent stability thanks to the integrated rigid frame. The cable is inserted through the front membrane, while the second membrane enhances strain relief and ensures a liquid-tight seal.

**Material:** TPE+PA66, halogen-free, silicone-free

**Flammability:** self-extinguishing acc. to UL94-V0

**Temperature:** -40°C... +105°C (static)

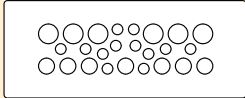
## RELATED PRODUCTS

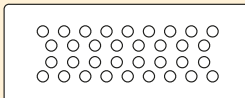
- IFP plugs (page 117)
- Intumescent gasket (page 178)


**NC:** Number of cables

**ØC:** Diameter of cables - max (mm)

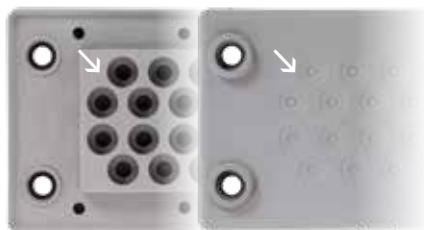


NEW	Model	Code		NC	ØC
	DES PMH 24/25G	1732024025		6	7,5 / 12
Cut-out (mm)	Plate (mm)	Pcs/pack	7	4,8 / 9,7	
112 x 36	148,6 x 59,6	10	7	3,2 / 6,5	

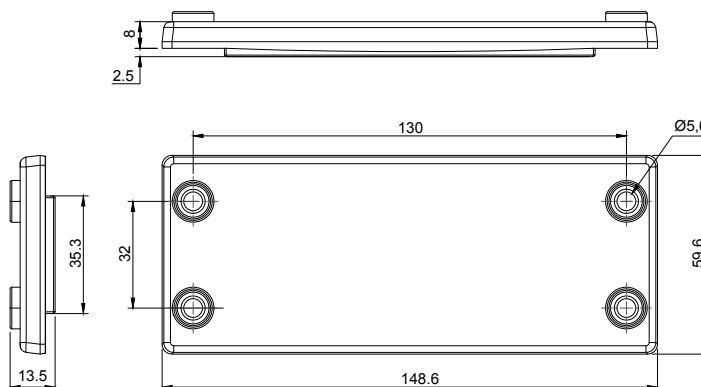
NEW	Model	Code		NC	ØC
	DES PMH 24/34G	1732024034		34	3,2 / 6,5
Cut-out (mm)	Plate (mm)	Pcs/pack			
112 x 36	148,6 x 59,6	10			

NEW	Model	Code		NC	ØC
	DES PMH 24/3G	1732024003		3	23/31
Cut-out (mm)	Plate (mm)	Pcs/pack			
112 x 36	148,6 x 59,6	10			

## Dimensions (mm)



Double membrane



IP66



ECOLAB





# DES PMH 6



Cable entry plates with internal frame and double membrane

## FEATURES

- Compact dimensions, ultra-thin
- For a large number of cables without connectors
- High strain relief thanks to the double membrane
- Space saving and cost-effective solution
- IP66
- Threaded inserts version on request

The DES PMH6 is an innovative alternative to standard cable glands for machinery cabinets and equipment. Its ultra-thin design allows installation in limited spaces while maintaining excellent stability thanks to the integrated rigid frame. The cable is inserted through the front membrane, while the second membrane enhances strain relief and ensures liquid-tight sealing.

**Material:** TPE+PA66, halogen-free, silicone-free

**Flammability:** self-extinguishing acc. to UL94-V0

**Temperature:** -40°C... +105°C (static)

## RELATED PRODUCTS

- IFP plugs (page 117)
- Intumescent gasket (page 178)

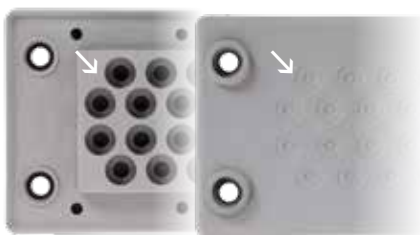


Model	Code		NC	ØC
DES PMH 6/12G	1732010612		12	4,4 / 8,1
Cut-out (mm)	Plate (mm)	Pcs/pack		
36 x 52	87 x 55,6	10		

Model	Code		NC	ØC
DES PMH 6/18G	1732010618		18	3,1 / 6,5
Cut-out (mm)	Plate (mm)	Pcs/pack		
36 x 52	87 x 55,6	10		

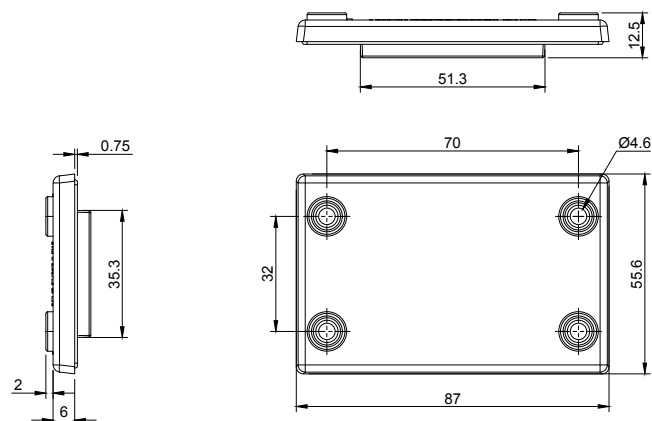
NC: Number of cables    ØC: Diameter of cables - min/max (mm)

2



Double membrane

## Dimensions (mm)



IP54  
IP66



ECOLAB



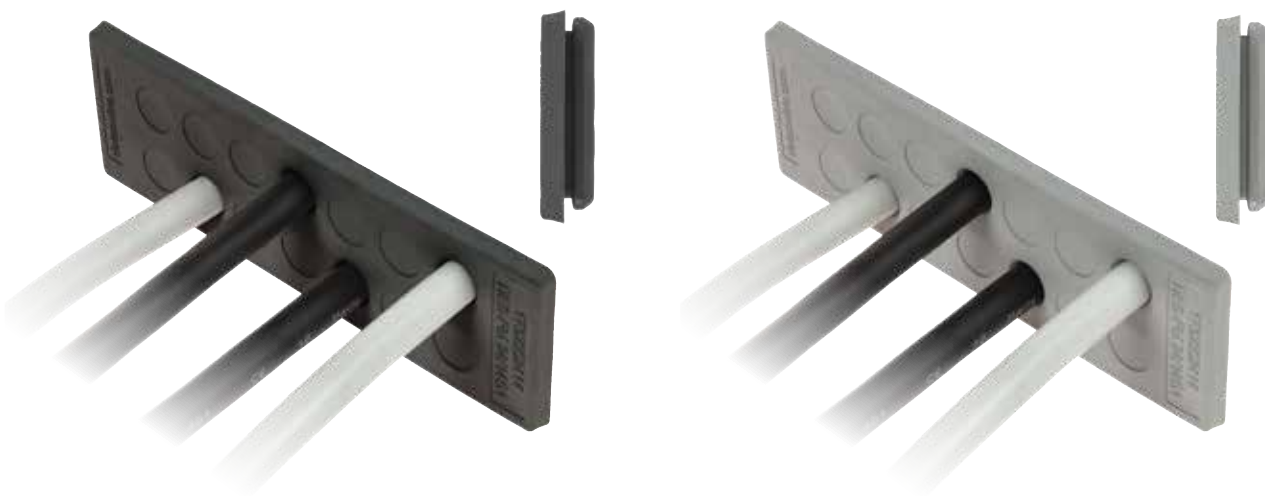
RoHS  
COMPLIANT



# DES PM 24



## Cable entry plates with double membrane



### FEATURES

- For a large number of cables
- High strain relief thanks to the double membrane
- Cost-efficient solution
- IP65

The DES PM 24 is an alternative to standard cable glands on electrical, electronic and telecommunication cabinets and equipment.

The cable is pushed through the front membrane, whilst the second membrane increases the strain relief and liquid tightness.

**Material:** TPE, halogen-free, silicone-free

**Flammability:** self-extinguishing acc. to UL94-V0

**Temperature:** -40°C... +110°C (static)

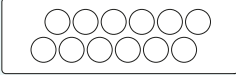
**Wall thickness:** from 1,5 to 2,5 mm

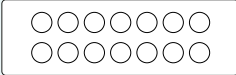
### RELATED PRODUCTS

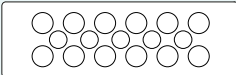
- IFP plugs (page 117)
- HY360 hydraulic punch driver (page 179)

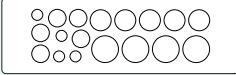
**NC:** Number of cables

**ØC:** Diameter of cables - max (mm)

Model	Code		NC	ØC
● DES PM 24/12G	1732052412			
● DES PM 24/12B	1732053413			
Cut-out (mm)	Plate (mm)	Pcs/pack		
112 x 36 mm max: +0,5 mm	144 x 46	10		

Model	Code		NC	ØC
● DES PM 24/14G	1732052414			
● DES PM 24/14B	1732053415			
Cut-out (mm)	Plate (mm)	Pcs/pack		
112 x 36 mm max: +0,5 mm	144 x 46	10		

Model	Code		NC	ØC
● DES PM 24/17G	1732052417			
● DES PM 24/17B	1732053418	12	12,6	
Cut-out (mm)	Plate (mm)	Pcs/pack		
112 x 36 mm max: +0,5 mm	144 x 46	10		

Model	Code		NC	ØC
● DES PM 24/18G	1732052418			
● DES PM 24/18B	1732053419	5	10,5	
		5	12,6	
		4	16,1	
Cut-out (mm)	Plate (mm)	Pcs/pack		
112 x 36 mm max: +0,5 mm	144 x 46	10		



IP65

NEMA 12

UL TYPE 12



2



# DES PM 24

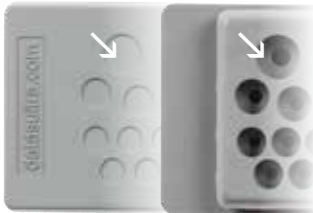


## Cable entry plates with double membrane

Model	Code		NC	ØC
● DES PM 24/20G	1732052420		13	6,5
● DES PM 24/20B	1732053421		7	12,1
<b>Cut-out (mm)</b>	<b>Plate (mm)</b>	<b>Pcs/pack</b>		
112 x 36 mm max: +0,5 mm	144 x 46	10		

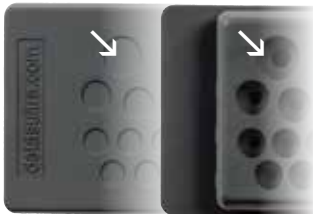
Model	Code		NC	ØC
● DES PM 24/26G	1732052426		16	6,5
● DES PM 24/26B	1732053427		4	12,1
<b>Cut-out (mm)</b>	<b>Plate (mm)</b>	<b>Pcs/pack</b>	4	16,1
112 x 36 mm max: +0,5 mm	144 x 46	10	2	ASI

Double parallel membrane



Model	Code		NC	ØC
● DES PM 24/42G	1732052442		1	4,7
● DES PM 24/42B	1732053443		12	5
<b>Cut-out (mm)</b>	<b>Plate (mm)</b>	<b>Pcs/pack</b>	17	6,4
112 x 36 mm max: +0,5 mm	144 x 46	10	12	7,2

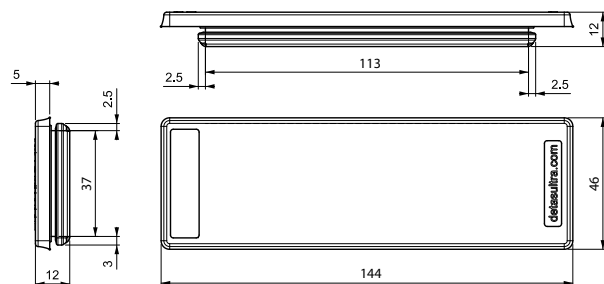
Double parallel membrane



Model	Code		NC	ØC
● DES PM 24/48G	1732052448		48	6,5
● DES PM 24/48B	1732053449			
<b>Cut-out (mm)</b>	<b>Plate (mm)</b>	<b>Pcs/pack</b>		
112 x 36 mm max: +0,5 mm	144 x 46	10		

Model	Code		NC	ØC
● DES PM 24/50G	1732052450		33	5,3
● DES PM 24/50B	1732053451		9	6,4
<b>Cut-out (mm)</b>	<b>Plate (mm)</b>	<b>Pcs/pack</b>	8	8,3
112 x 36 mm max: +0,5 mm	144 x 46	10		

### Dimensions (mm)



IP65

NEMA 12

UL TYPE 12



UL94-V0





# DES PM 16



## Cable entry plates with double membrane

### FEATURES

- For a large number of cables
- High strain relief thanks to the double membrane
- Space saving and cost-efficient solution
- High IP protection (IP65)

The DES PM 16 is an alternative to standard cable glands on electrical, electronic and telecommunication cabinets and equipment.

The cable is pushed through the front membrane, whilst the second membrane increases the strain relief and liquid tightness.

**Material:** TPE, halogen-free, silicone-free

**Flammability:** self-extinguishing acc. to UL94-V0

**Temperature:** -40°C... +105°C (static)

**Wall thickness:** from 1,5 to 2,5 mm

### RELATED PRODUCTS

- IFP plugs (page 117)

**NC:** Number of cables

**ØC:** Diameter of cables - max (mm)

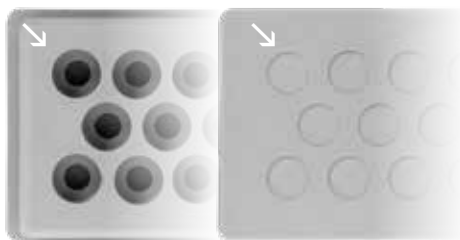


NEW	Model	Code		NC	ØC
	DES PM 16/20G	1732052320		20	8,3
Cut-out (mm)	Plate (mm)	Pcs/pack			
86 x 36	98 x 46	10			

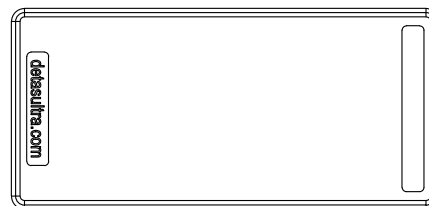
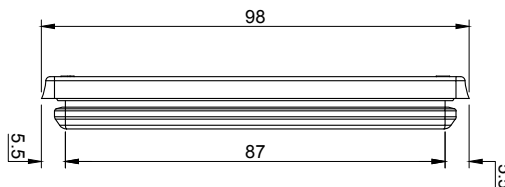
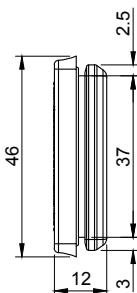
NEW	Model	Code		NC	ØC
	DES PM 16/23G	1732052323		18	6,5
Cut-out (mm)	Plate (mm)	Pcs/pack		5	12,1
86 x 36	98 x 46	10			

NEW	Model	Code		NC	ØC
	DES PM 16/26G	1732052326		19	6,5
Cut-out (mm)	Plate (mm)	Pcs/pack		7	8,3
86 x 36	98 x 46	10			

### Dimensions (mm)



Double parallel membrane



IP65

NEMA 12



ECOLAB





# DES PM S

Cable entry plates with double membrane



## FEATURES

- For a large number of cables
- High retaining force thanks to the double membrane
- Cost-effective solution
- High IP protection (IP65)

The DES PM S is an alternative to standard cable glands on electrical, electronic and telecommunication cabinets and equipment.

The cable is pushed through the front membrane, whilst the second membrane increases the strain relief and liquid tightness.

**Material:** TPE, halogen-free, silicone-free  
**Flammability:** self-extinguishing acc. to UL94-V0

**Temperature:** -40°C... +110°C (static)

**Wall thickness:** from 1,5 to 2,5 mm

## RELATED PRODUCTS

- IFP plugs (page 117)

**NC:** Number of cables

**ØC:** Diameter of cables - max (mm)

Double parallel membrane



Model	Code
● DES PM S 46/7G	1732074607
● DES PM S 46/7B	1732074608

Cut-out (mm)	Plate (mm)	Pcs/pack
46 x 18	64 x 28	10
max: +0,5 mm		

NC	ØC
2	6,5
5	8,3



Model	Code
● DES PM S 46/9G	1732074609
● DES PM S 46/9B	1732074610

Cut-out (mm)	Plate (mm)	Pcs/pack
46 x 18	64 x 28	10
max: +0,5 mm		

NC	ØC
8	6,5
1	12,1



Model	Code
● DES PM S 69/8G	1732076908
● DES PM S 69/8B	1732076909

Cut-out (mm)	Plate (mm)	Pcs/pack
69 x 10	86 x 20	10
max: +0,5 mm		

NC	ØC
8	7,5



Model	Code
● DES PM S 86/11G	1732078611
● DES PM S 86/11B	1732078612

Cut-out (mm)	Plate (mm)	Pcs/pack
85 x 18	103 x 28	10
max: +0,5 mm		

NC	ØC
2	6,5
9	8,35



Model	Code
● DES PM S 86/17G	1732078617
● DES PM S 86/17B	1732078618

Cut-out (mm)	Plate (mm)	Pcs/pack
85 x 18	103 x 28	10
max: +0,5 mm		

NC	ØC
16	6,5
1	12,1



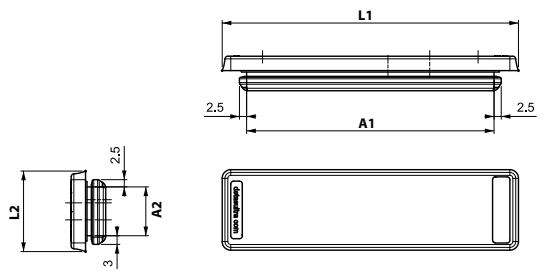
Model	Code
● DES PM S 112/21G	1732071221
● DES PM S 112/21B	1732071222

Cut-out (mm)	Plate (mm)	Pcs/pack
112 x 18	130 x 28	10
max: +0,5 mm		

NC	ØC
16	6,5
4	8,3
1	12,1



## Dimensions (mm)



Cut-out: A1 x A2

Plate: L1 x L2



IP65

NEMA 12, 4X

UL TYPE 12, 4X\*  
\*indoor only



UL94-V0





# DES PMU



## Round cable entry grommets with double membrane for single cable

### FEATURES

- Metric sizes
- Quick to install
- Cost-effective solution
- High IP protection (IP66)
- Reduced thickness

The round metric grommet is an alternative to standard cable glands on electrical, electronic and telecommunication cabinets and equipment.

The cable is pushed through the front membrane, whilst the second membrane increases the strain relief and liquid tightness.

**Material:** TPE, halogen-free, silicone-free

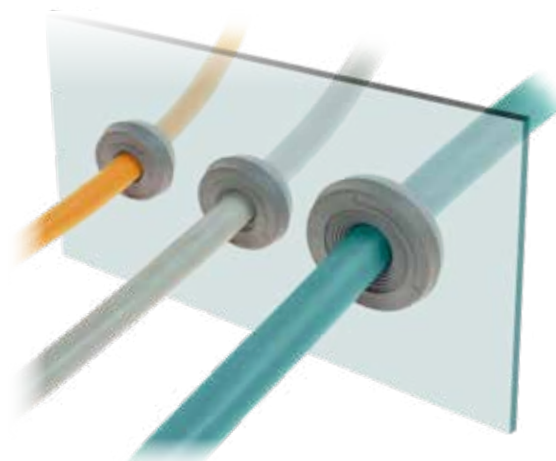
**Flammability:** self-extinguishing acc. to UL94-V0

**Temperature:** -40°C... +110°C (static)

**Wall thickness:** from 1,5 to 2,5 mm

### RELATED PRODUCTS

- IFP plugs (page 117)
- HY360 hydraulic punch driver (page 179)

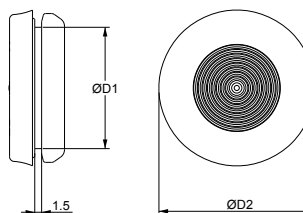


Model	Code	Nr. Cables	Ø Cable max (mm)	Dimensions (mm)		Pcs (/pack)
				ØD1	ØD2	
DES PMU 16G	1732060116	1	10	16,5	24	10
DES PMU 20G	1732060120	1	13	20,5	29	
DES PMU 25G	1732060125	1	15	25,4	34	
DES PMU 32G	1732060132	1	22	32,5	40	
DES PMU 16B	1732061116	1	10	16,5	24	
DES PMU 20B	1732061120	1	13	20,5	29	
DES PMU 25B	1732061125	1	15	25,4	34	
DES PMU 32B	1732061132	1	22	32,5	40	



### Dimensions (mm)

Double parallel membrane



IP66

NEMA 12, 4X

UL TYPE 12, 4X\*  
\*indoor only



ECOLAB

UL94-V0



RoHS COMPLIANT



# DES PM M



## Round cable entry plates with double membrane



### FEATURES

- For a large number of cables
- High retaining force thanks to the double membrane
- Cost-effective solution
- High IP protection (IP65)
- Metric sizes

The round metric DES PM M is an alternative to standard cable glands on electrical, electronic and telecommunication cabinets and equipment. The cable is pushed through the front membrane, whilst the second membrane increases the strain relief and liquid tightness.

**Material:** TPE, halogen-free, silicone-free

**Flammability:** self-extinguishing acc. to UL94-V0

**Temperature:** -40°C... +105°C (static)

**Wall thickness:**

- Type 1 - from 1,5 to 2,5 mm
- Type 2 - from 2,8 to 4 mm

### RELATED PRODUCTS

- IFP plugs (page 117)
- HY360 hydraulic punch driver (page 179)

**NC:** Number of cables

**ØC:** Diameter of cables - max (mm)

NEW	Model	Code	
●	DES PM M20/4G	1732062004	
Cut-out	ØD (mm)	H (mm)	Pcs/pack.
M20	29	5	10
		<b>NC</b>	<b>ØC</b>
		4	5,2

TYPE 1

NEW	Model	Code	
●	DES PM M20/5G	1732062005	
Cut-out	ØD (mm)	H (mm)	Pcs/pack.
M20	29	5	10
		<b>NC</b>	<b>ØC</b>
		1	10,6
		2	4,6
		2	3,6

TYPE 1

Model	Code		
● DES PM M25/4G	1732062504		
● DES PM M25/4B	1732063505		
Cut-out	ØD (mm)	H (mm)	Pcs/pack.
M25	34	5	10
		<b>NC</b>	<b>ØC</b>
		4	8

TYPE 1

Model	Code		
● DES PM M25/6G	1732062506		
● DES PM M25/6B	1732063507		
Cut-out	ØD (mm)	H (mm)	Pcs/pack.
M25	34	5	10
		<b>NC</b>	<b>ØC</b>
		4	5,2
		2	9,4

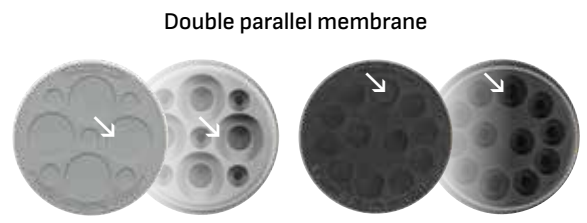
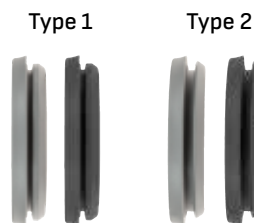
TYPE 1

Model	Code		
● DES PM M32/10G	1732063210		
● DES PM M32/10B	1732064211		
Cut-out	ØD (mm)	H (mm)	Pcs/pack.
M32	40	5	10
		<b>NC</b>	<b>ØC</b>
		6	5,2
		2	6,4
		2	9,4

TYPE 1

Model	Code		
● DES PM M32/10G	1732263210		
● DES PM M32/10B	1732264211		
Cut-out	ØD (mm)	H (mm)	Pcs/pack.
M32	40	5	10
		<b>NC</b>	<b>ØC</b>
		6	5,2
		2	6,4
		2	9,4

TYPE 2



IP65  
IP66

NEMA  
12

UL TYPE  
12

ECOLAB

UL94-V0

UV  
ISO 4892-2A

RoHS  
COMPLIANT



# DES PM M

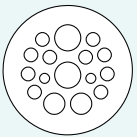


## Round cable entry plates with double membrane

Model	Code
● DES PM M40/16G	1732064016
● DES PM M40/16B	1732064017

Cut-out	ØD (mm)	H (mm)	Pcs/pack.
M40	52	5	10

NC	ØC
2	3,8
10	5,3
2	8,3
2	10,3

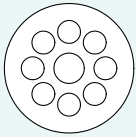


TYPE 1

Model	Code
● DES PM M40/9G	1732064009
● DES PM M40/9B	1732064012

Cut-out	ØD (mm)	H (mm)	Pcs/pack.
M40	52	5	10

NC	ØC
1	12
10	9,5

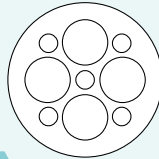


TYPE 1

Model	Code
● DES PM M50/9G	1732065009
● DES PM M50/9B	1732066010

Cut-out	ØD (mm)	H (mm)	Pcs/pack.
M50	62	5	10

NC	ØC
5	7
4	18,3

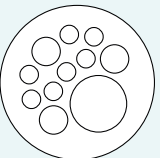


TYPE 1

Model	Code
● DES PM M50/11G	1732065011
● DES PM M50/11B	1732066012

Cut-out	ØD (mm)	H (mm)	Pcs/pack.
M50	62	5	10

NC	ØC
7	7
3	11,4
1	22

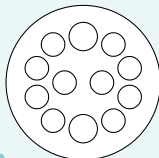


TYPE 1

Model	Code
● DES PM M50/12G	1732065012
● DES PM M50/12B	1732066013

Cut-out	ØD (mm)	H (mm)	Pcs/pack.
M50	62	5	10

NC	ØC
10	9
2	11

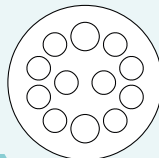


TYPE 1

Model	Code
● DES PM M50/12G	1732265012
● DES PM M50/12B	1732266013

Cut-out	ØD (mm)	H (mm)	Pcs/pack.
M50	62	5	10

NC	ØC
10	9
2	11

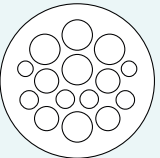


TYPE 2

Model	Code
● DES PM M50/15G	1732065015
● DES PM M50/15B	1732066016

Cut-out	ØD (mm)	H (mm)	Pcs/pack.
M50	62	5	10

NC	ØC
2	6
4	7,2
4	9,7
5	12

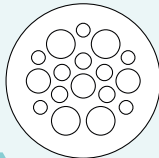


TYPE 1

Model	Code
● DES PM M50/17G	1732065017
● DES PM M50/17B	1732066018

Cut-out	ØD (mm)	H (mm)	Pcs/pack.
M50	62	5	10

NC	ØC
5	5,5
5	6,5
3	9,7
4	11,4

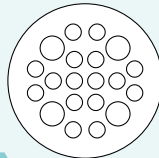


TYPE 1

Model	Code
● DES PM M50/20G	1732065020
● DES PM M50/20B	1732066021

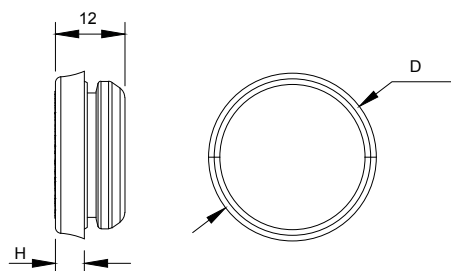
Cut-out	ØD (mm)	H (mm)	Pcs/pack.
M50	62	5	10

NC	ØC
16	6,5
4	9,7



TYPE 1

### Dimensions (mm)



IP65  
IP66

NEMA  
12

UL TYPE  
12



UL94-V0





## Stainless steel extension for metric threads

### FEATURES

- Standard version L=50mm, other dimensions on request
- Modular
- AISI304 Stainless steel

EDM extensions are used when round cable entry plates, with or without connectors, need to be installed on thicker panels. The standard version allows installation on wall thicknesses up to 45 mm, although additional units can be stacked to increase the depth.

**Material:** Stainless steel AISI304

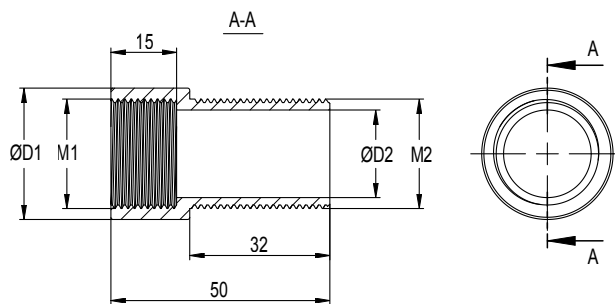
### RELATED PRODUCTS

- DESPRED
- DESCLICK
- DESPRED 50
- OSF
- PDM M
- PDP
- PDMU



Model	Code	Dimensions (mm)		Threads		Pcs (/pack)
		ØD1	ØD2	M1	M2	
EDM25-50	1732290025	30	20	M25	M25	1
EDM32-50	1732290032	37	26	M32	M32	
EDM40-50	1732290040	45	33	M40	M40	
EDM50-50	1732290050	55	43	M50	M50	
EDM63-50	1732290063	68	56	M63	M63	

### Dimensions (mm)





## Plugs for cable entry plates

### FEATURES

- Plugs for holes with diameter from 4,5 to 22,5 mm

The IFP inserts fit into the holes of the cable entry plates so that they can be used many times. They range from 4,5 to 22,5 mm diameter.

**Material:** PA6, halogen-free, silicone-free

**Flammability:** self-extinguishing

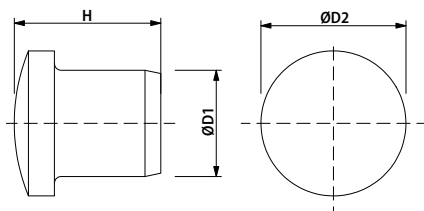
acc. UL94-HB

**Temperature:** -30°C... +100°C (static)

### RELATED PRODUCTS

- DES PM
- SPP M Grommets
- DES PDM
- SPG K Grommets
- SPP K Grommets
- SPG M Grommets

### Dimensions (mm)



Model	Code	Ø Hole (mm)	Dimensions (mm)			Pcs (/pack)
			ØD1	H	ØD2	

<b>IFP 5G</b>	1732070002	4,5 - 8,0	5,5	12,5	10,0	10
<b>IFP 9G</b>	1732070004	8,0 - 12,0	9,5	16,0	13,5	
<b>IFP 12G</b>	1732070006	12,0 - 16,0	12,0	16,5	16,5	
<b>IFP 16G</b>	1732070008	16,0 - 19,0	16,0	19,5	20,5	
<b>IFP 20G</b>	1732070010	20,0 - 22,5	20,0	21,5	24,5	

<b>IFP 5B</b>	1732070012	4,5 - 8,0	5,5	12,5	10,0	10
<b>IFP 9B</b>	1732070014	8,0 - 12,0	9,5	16,0	13,5	
<b>IFP 12B</b>	1732070016	12,0 - 16,0	12,0	16,5	16,5	
<b>IFP 16B</b>	1732070018	16,0 - 19,0	16,0	19,5	20,5	



# DES PDM CAPS

## Caps for cable entry plates

### FEATURES

- Caps with convex head
- Available with black color
- For DES PDM FT cable entry plates

The DES PDM CAPS keeps the product clean preventing dirt from settling in the screw seats.

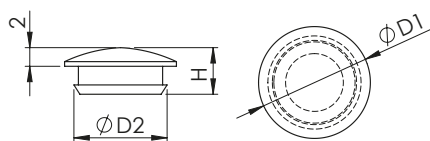
**Material:** Polyethylene PE-HD

### RELATED PRODUCTS

- DES PDM 24 FT



### Dimensions (mm)



Model	Code	Ø Hole (mm)	Dimensions (mm)			Pcs (/pack)
			ØD1	ØD2	H	
<b>DES PDM CAPS</b>	1732019980	9,5	13	10	5	50





### FEATURES

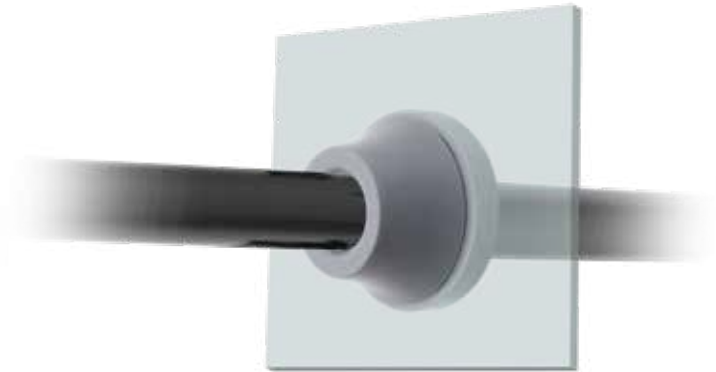
- Metric size
- Quick installation
- Cost effective
- IP67
- Self extinguishing (UL 94 V0)
- Grey color

The RCS cable entry series allows single, non-terminated cables to be routed through walls up to 4 mm thick. Simply pierce the outer membrane slightly and push the cable through the grommet. The grommets are available in grey and cover cable diameters from 4 to 34 mm.

**Material:** EPDM, halogen-free, silicone-free  
**Flammability:** self-extinguishing sec. UL94-V0  
**Temperature:** -40°C... +110°C (static)  
**Wall thickness:** from 0,5 a 4 mm

### RELATED PRODUCTS

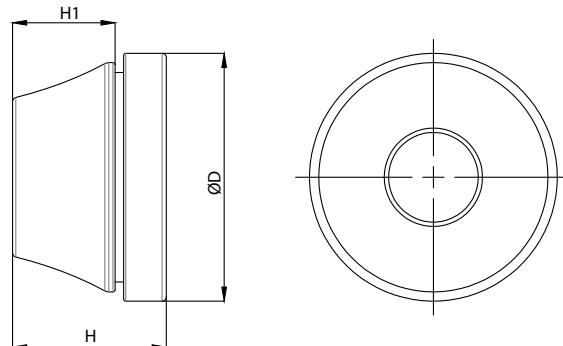
- HY360 hydraulic punch driver (pag. 179)



Model	Code	Nr. Cables / Ø (mm)	Ø Hole (mm)	Dimensions (mm)			Pcs (/pack)
				H	H1	ØD	
<b>WALL THICKNESS (mm): 0,5 - 2</b>							
RCS M12G	1732067012	1 / 3-5	12,5	17,3	10,5	20	100
RCS M16G	1732067016	1 / 5-9	16,5	19	11,5	21	
RCS M20G	1732067020	1 / 7-13	20,5	20,5	12,7	25,5	
RCS M25G	1732067025	1 / 10-17	25,5	22,6	15,5	31	

<b>WALL THICKNESS (mm): 1 - 4</b>							
RCS M32G	1732067032	1 / 14-20	32,5	25,5	17,5	39	100
RCS M40G	1732067040	1 / 19-26	40,5	30	20,4	48	
RCS M50G	1732067050	1 / 26-34	50,5	36	23,9	58,6	

### Dimensions (mm)



up to  
**IP66**  
**IP67**



**RoHS**  
COMPLIANT



# DES PDM 24 CLEAN



Cable entry plates for Food&Pharma applications

## FEATURES

- For a large number of cables without connectors
- Internal reinforcing frame
- Rounded edges
- UL94-HB
- Fixing with snap mounting or screws

The DES PDM CLEAN Family is mainly used in the food&pharma production thanks to the rounded shape without edges which avoids dirt accumulation and allows frequent washing. The cable entry plate can be fixed to the panel from the inside with four hidden screws or screwed on the panel. The hole position is guided by laser-printed markings which guarantees the front clean area during the operation.

The first front membrane is lightly pierced with a small screwdriver, while the second parallel membrane acts as a reinforcement, ensuring a very high strain relief and liquid tightness.

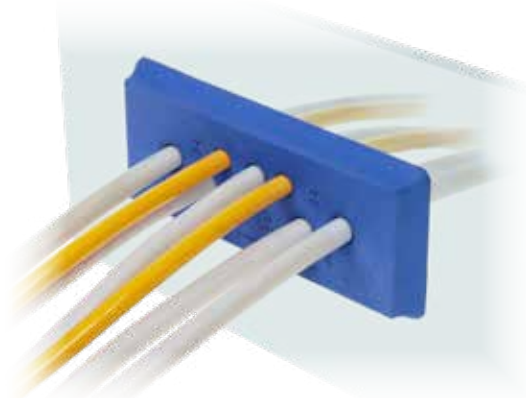
**Material:** FDA certified TPE+PA66, halogen-free, silicone-free

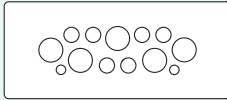
**Flammability:** self-extinguishing acc. UL94-HB

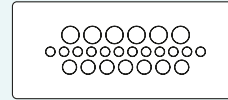
**Temperature:** -40°C... +80°C

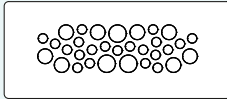
## RELATED PRODUCTS

- IFP plugs (page 117)
- FVM / FVMS - Metal detectable cable ties (page 132)
- HY360 hydraulic punch driver (page 179)
- PF/PFX cable entry system plates (from page 181)
- EMCZ (page 167)



Model	Code
<b>DES PDM 24/13 CLEAN</b>	1732025017
Cut-out / Plate (mm)	Pcs/pack
112 x 36 / 155 x 66	1
	<b>NC</b> <b>ØC</b>
	2      2,8 / 6,5
	6      4,6 / 10,2
	5      8,6 / 16,2

Model	Code
<b>DES PDM 24/25 CLEAN</b>	1732025025
Cut-out / Plate (mm)	Pcs/pack
112 x 36 / 155 x 66	1
	<b>NC</b> <b>ØC</b>
	12      2,8 / 6,5
	7      4,4 / 9,7
	6      6,8 / 12

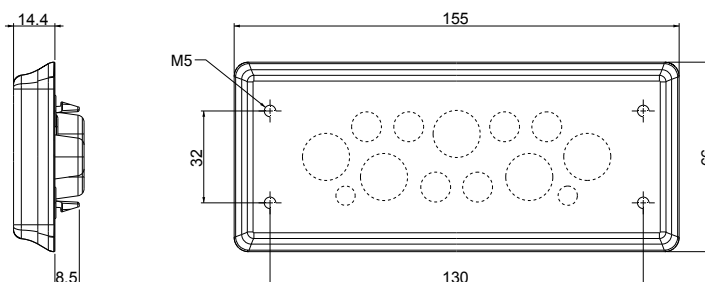
Model	Code
<b>DES PDM 24/32 CLEAN</b>	1732025032
Cut-out / Plate (mm)	Pcs/pack
112 x 36 / 155 x 66	1
	<b>NC</b> <b>ØC</b>
	21      2,8 / 6,5
	8      4,6 / 10,2
	3      6,8 / 12



Snap mounting and M5 threaded inserts

**NC:** Number of cables      **ØC:** Diameter of cables - min/max (mm)

## Dimensions (mm)





# DES PDM M CLEAN

Cable entry plates for Food&Pharma applications



## FEATURES

- For a large number of cables without connectors
- Internal reinforcing frame
- Rounded edges
- UL94-HB
- Fixing with locknut

The DES PDM CLEAN Family is mainly used in the food&pharma production thanks to the rounded shape without edges which avoids dirt accumulation and allows frequent washing. The cable entry plate can be fixed to the panel from the inside with four hidden screws or screwed on the panel. The hole position is guided by laser-printed markings which guarantees the front clean area during the operation. The first front membrane is lightly pierced with a small screwdriver, while the second parallel membrane acts as a reinforcement, ensuring a very high strain relief and liquid tightness.

**Material:** FDA certified TPE+PA66, halogen-free, silicone-free

**Flammability:** self-extinguishing acc. UL94-HB

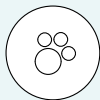
**Temperature:** -40°C... +80°C (static)

## RELATED PRODUCTS

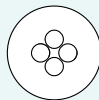
- IFP plugs (page 117)
- FVM / FVMS - Metal detectable cable ties (page 132)
- HY360 hydraulic punch driver (page 179)
- EMCZ M (page 168)



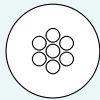
Model	Code		
<b>DES PDM M32/4 CLEAN</b>	1732034304		
Cut-out	ØD (mm)	H (mm)	Pcs/pack.
M32	44	7	1
		NC	ØC
		3	3,6 / 6,5
		1	7,8 / 12,5



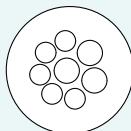
Model	Code		
<b>DES PDM M32/4-2 CLEAN</b>	1732034342		
Cut-out	ØD (mm)	H (mm)	Pcs/pack.
M32	44	7	1
		NC	ØC
		4	5 / 9



Model	Code		
<b>DES PDM M32/7 CLEAN</b>	1732034307		
Cut-out	ØD (mm)	H (mm)	Pcs/pack.
M32	44	7	1
		NC	ØC
		7	2,8 / 6,5

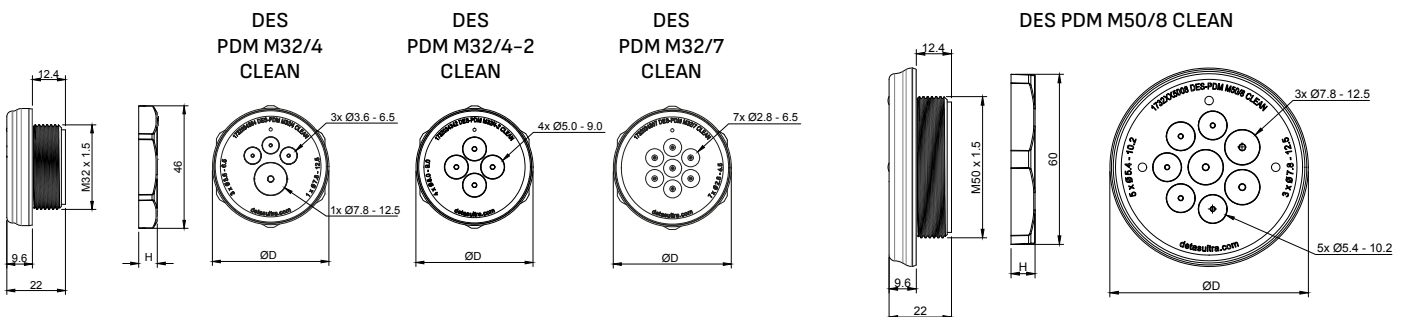


Model	Code		
<b>DES PDM M50/8 CLEAN</b>	1732036108		
Cut-out	ØD (mm)	H (mm)	Pcs/pack.
M50	70	8,5	1
		NC	ØC
		5	4,6 / 10,2
		3	6,8 / 12,5



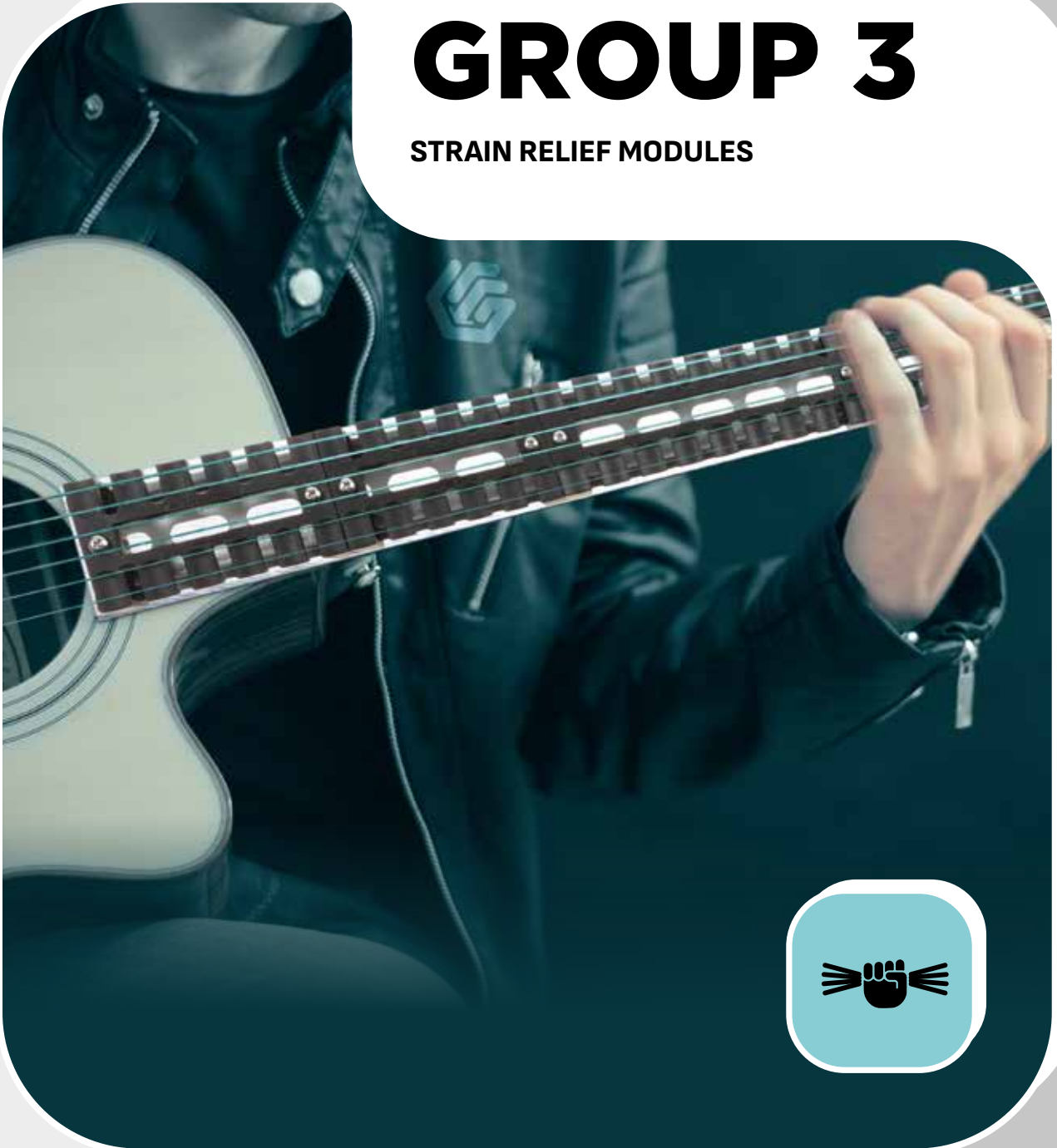
NC: Number of cables      ØC: Diameter of cables - min/max (mm)

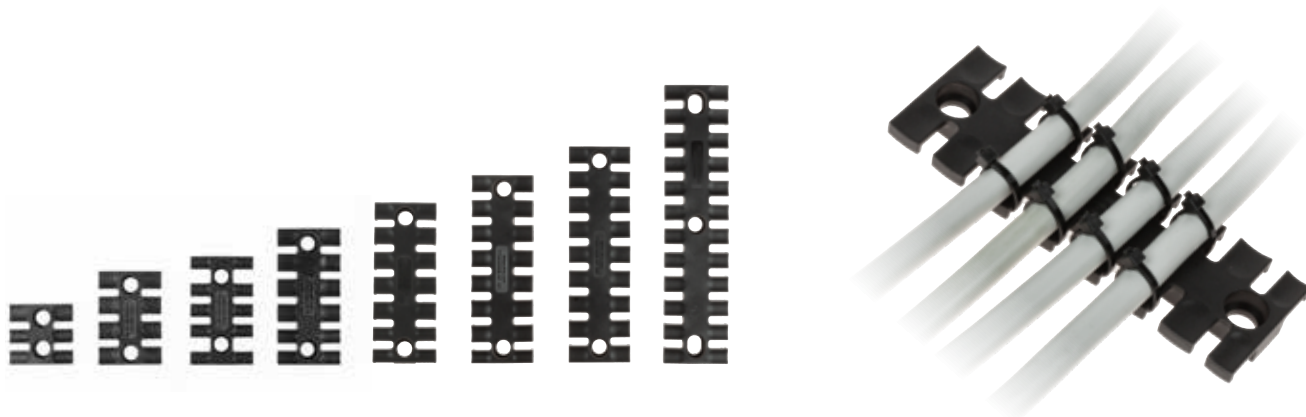
## Dimensions (mm)



# GROUP 3

STRAIN RELIEF MODULES





### FEATURES

- Modules also available with aluminum or brass bushings
- Strain relief acc. to EN 62444
- Easy to install
- Cost-effective solution
- UL94-V0

The AP modules are used in electrical switchboards and equipment in order to keep the cables tidy whilst providing strain relief according to EN 62444.

The cables can be fixed with standard plastic ties or reusable velcro ties. Spacers are available for multi-tier applications.

**Material:** PA66+GF, halogen-free, silicone-free

**Flammability:** self-extinguishing acc. to UL94-V0

**Temperature:** -40°C... +140°C (static)

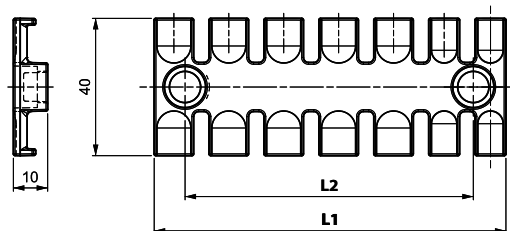
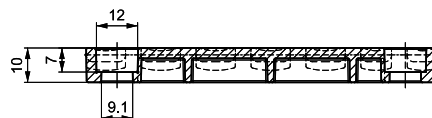
### RELATED PRODUCTS

- DZ spacers (page 126)
- FV cable ties (page 131)
- EMC AP (pag. 164)

### Modules without bushings

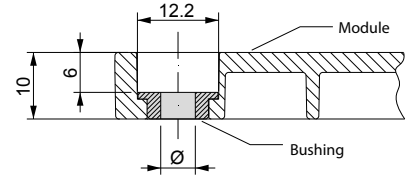
Model	Code	Dimensions (mm)		Teeth	Pcs (/pack)
		L1	L2		
AP 39	1733020003	38,5	19,5	3	10
AP 60	1733020004	59,5	43,5	4	
AP 70	1733020005	69,1	43,5	5	
AP 87	1733020006	86,5	68	6	
AP 103	1733020007	102,5	84	7	
AP 121	1733020008	121	102,5	8	
AP 140	1733020009	139,5	121	9	
AP 180	1733020010	180	157	12	

### Dimensions (mm)





## Strain relief modules - screw fixing



### Modules with aluminum bushings

### Modules with brass bushings

Model	Code	Bushing	Model	Code	Bushing	Dimensions (mm)		Teeth	Pcs (/pack)
						L1	L2		
AP 39 BA4	1733021403	Ø 4 mm	AP 39 BR4	1733022403	Ø 4 mm	38,5	19,5	3	10
AP 60 BA4	1733021404		AP 60 BR4	1733022404		59,5	43,5	4	
AP 70 BA4	1733021405		AP 70 BR4	1733022405		69,1	43,5	5	
AP 87 BA4	1733021406		AP 87 BR4	1733022406		86,5	68	6	
AP 103 BA4	1733021407		AP 103 BR4	1733022407		102,5	84	7	
AP 121 BA4	1733021408		AP 121 BR4	1733022408		121	102,5	8	
AP 140 BA4	1733021409		AP 140 BR4	1733022409		139,5	121	9	
AP 180 BA4	1733021410		AP 180 BR4	1733022410		180	157	12	
AP 39 BA5	1733021503	Ø 5 mm	AP 39 BR5	1733022503	Ø 5 mm	38,5	19,5	3	
AP 60 BA5	1733021504		AP 60 BR5	1733022504		59,5	43,5	4	
AP 70 BA5	1733021505		AP 70 BR5	1733022505		69,1	43,5	5	
AP 87 BA5	1733021506		AP 87 BR5	1733022506		86,5	68	6	
AP 103 BA5	1733021507		AP 103 BR5	1733022507		102,5	84	7	
AP 121 BA5	1733021508		AP 121 BR5	1733022508		121	102,5	8	
AP 140 BA5	1733021509		AP 140 BR5	1733022509		139,5	121	9	
AP 180 BA5	1733021510		AP 180 BR5	1733022510		180	157	12	
AP 39 BA6	1733021603	Ø 6 mm	AP 39 BR6	1733022603	Ø 6 mm	38,5	19,5	3	
AP 60 BA6	1733021604		AP 60 BR6	1733022604		59,5	43,5	4	
AP 70 BA6	1733021605		AP 70 BR6	1733022605		69,1	43,5	5	
AP 87 BA6	1733021606		AP 87 BR6	1733022606		86,5	68	6	
AP 103 BA6	1733021607		AP 103 BR6	1733022607		102,5	84	7	
AP 121 BA6	1733021608		AP 121 BR6	1733022608		121	102,5	8	
AP 140 BA6	1733021609		AP 140 BR6	1733022609		139,5	121	9	
AP 180 BA6	1733021610		AP 180 BR6	1733022610		180	157	12	





### FEATURES

- Strain relief according to EN 62444
- Easy to install
- Cost-effective solution
- UL94-V0

The APD modules are used in electrical cabinets to organise the cables whilst providing strain relief according to EN 62444.

The cables can be fixed with standard plastic ties or reusable velcro ties.

**Material:** PA66+GF, halogen-free, silicone-free

**Flammability:** self-extinguishing acc. to UL94-V0

**Temperature:** -40°C... +140°C (static)

### RELATED PRODUCTS

- FV cable ties (page 131)
- EMC AP (pag. 164)



APD 39-80-140



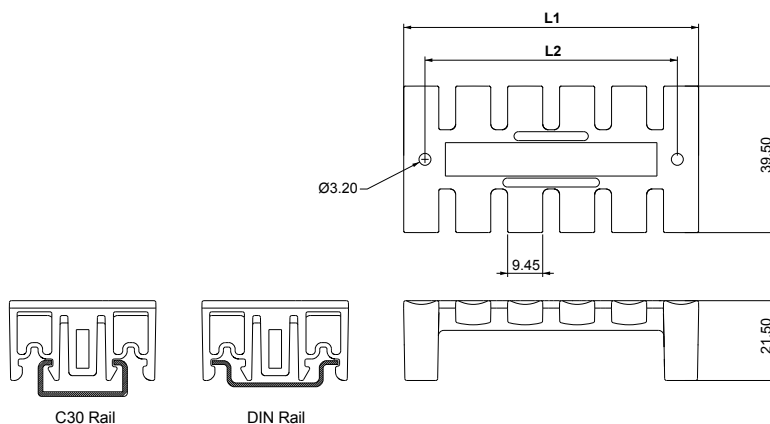
APD 180



APD 10

	Model	Code	Dimensions (mm)		Teeth	Pcs (/pack)
			L1	L2		
NEW	APD 10	1733000001	9,5	-	1	10
	APD 39	1733000003	38,5	28,3	3	
	APD 80	1733000006	79,5	68	6	
	APD 140	1733000009	139,5	128,1	9	
	APD 180	1733000012	180	157	12	

### Dimensions (mm)





## Strain relief modules - double comb for screw fixing

### FEATURES

- Strain relief acc. to EN 62444
- Easy to install
- Cost-effective solution
- UL94-V0

The AP-DP modules are used in electrical switchboards and equipment keeping cables of various sizes tidy whilst providing strain relief according to EN 62444. The cables can be fixed with standard plastic ties or reusable Velcro ties. Spacers are available for multi-tier applications.

**Material:** PA66+GF

**Flammability:** self-extinguishing acc. to UL94-V0

**Temperature:** -40°C... +140°C (static)

**Features:** halogen-free, silicone-free

### RELATED PRODUCTS

- DZ spacers (page 126)
- FV cable ties (page 131)
- EMC AP (pag. 164)



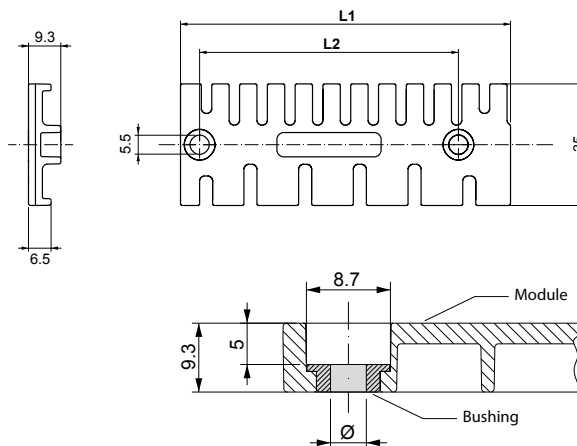
Aluminum bushing



Brass bushing

Model	Code	Bushing	Dimensions (mm)		Teeth	Pcs (/pack)
			L1	L2		
AP-DP 63	1733010047	-	63,4	42	4 - 7	10
AP-DP 95	1733010611	-	95	74,5	6 - 11	
AP-DP 119	1733010713	-	119	108	7 - 13	
AP-DP 63-BA	1733011447	 Ø 4 mm	63,4	42	4 - 7	
AP-DP 95-BA4	1733011411		95	74,5	6 - 11	
AP-DP 119-BA4	1733011413		119	108	7 - 13	
AP-DP 63-BR4	1733012447	 Ø 4 mm	63,4	42	4 - 7	
AP-DP 95-BR4	1733012411		95	74,5	6 - 11	
AP-DP 119-BR4	1733012413		119	108	7 - 13	

### Dimensions (mm)





### FEATURES

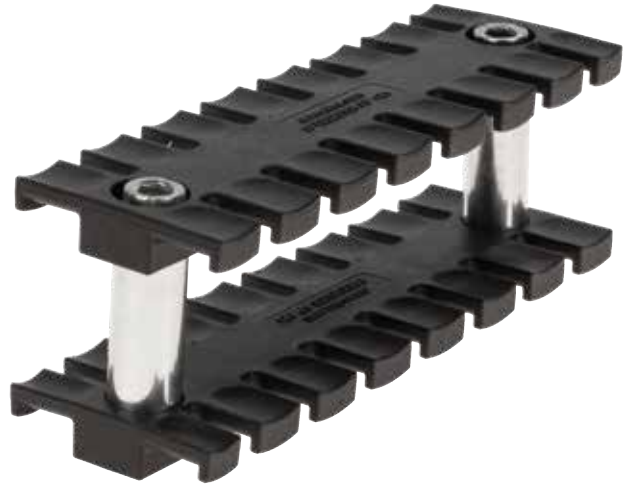
- Increase in cable bundle density

The spacers are used to create a multi-level strain relief system in situations where there is a large density of cables to be fastened.

**Material:** Aluminium

### RELATED PRODUCTS

- AP strain relief modules
- AP-DP double-comb strain relief modules



Model	Code	Suitable for	Dimensions (mm)			Pcs (/pack)
			H	D1	D2	
DZ 30	1733020011	AP-DP	30	8,5	5,2	10
DZ 32	1733020012	AP	32	12	6,2	

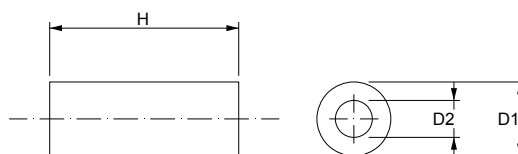


DZ 32



DZ 30

### Dimensions (mm)





## Fixing clamp for C 30mm rail

### FEATURES

- Cable ranges from 6 to 100 mm diameter
- Installation on C rail 30 mm
- Snap-in assembly with tightening screw
- Cost-effective

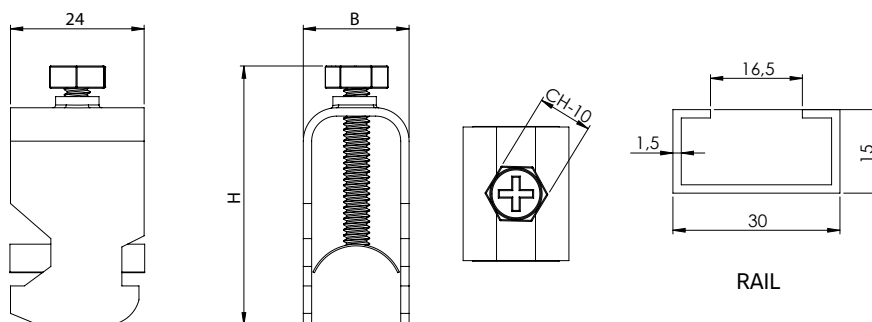
The MSTB fixing clamps enable the cable to be fixed and secured easily. The MSTB fixing clamps are used on the C 30 mm rail and they are secured by tightening the screw which also ensures the strain relief function.

**Material:** zinc plated steel + PA66



Model	Code	Clamping range (mm)	Dimensions (mm)		Pcs (/pack)
			B	H	
MSTB 6-12	1734040600	6 - 12	21	70	10
MSTB 12-18	1734040602	12 - 18	23	70	
MSTB 18-22	1734040605	18 - 22	27	70	
MSTB 22-30	1734040607	22 - 30	39	85	
MSTB 30-38	1734040610	30 - 38	45	90	
MSTB 38-42	1734040612	38 - 42	47	95	
MSTB 42-50	1734040615	42 - 50	57	120	
MSTB 50-64	1734040620	50 - 64	70	130	
MSTB 64-70	1734040622	64 - 70	77	165	
MSTB 70-80	1734040624	70 - 80	87	183	
MSTB 80-100	1734040626	80 - 100	108	217	

### Dimensions (mm)





### FEATURES

- For cable diameter from 13 to 95 mm
- Strain relief acc. to EN 61914
- Fixing screws not included

The MFK/MFY cable clamps are used to secure cables with diameters up to 95 mm and assure strain relief function.

The MFK is used for single cable and the MFY is used up to three cables.

They are normally used in electrical installation to keep the cables in the right position according to EN 61914 strain relief standard.

**Material:** PA, halogen-free, silicone-free

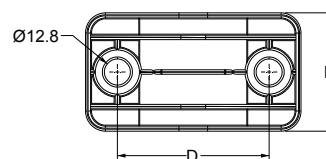
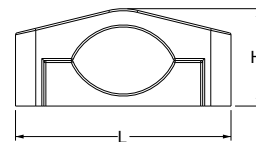
**Flammability:** self-extinguishing acc. to UL94-V0

**Temperature:** -40°C... +140°C (static)



Model	Code	Nr. Cables	Ø Cable min/max (mm)	Dimensions (mm)				Pcs (/pack)
				L	B	H	D	
MFK 13-25	1733030010	1	13/25	87,5	47	35	60	1
MFK 20-36	1733030015	1	20/36	88	58	42	60	
MFKD 36-52	1733030021	1	36/52	106,5	59	49,5	75	
MFK 55-75	1733030025	1	55/75	113,5	59	52	83	
MFK 75-95	1733030030	1	75/95	128	59	64,5	95	
MFY 27-38	1733030040	3	27/38	175	70	73,5	125	
MFY 38-51	1733030050	3	38/51	189	76	94	144	
MFY 51-69	1733030060	3	51/69	214	80,5	121	168	

### Dimensions (mm)





## Reusable cable ties for single or multiple wiring

### FEATURES

- For cables with diameter from 7 to 32 mm
- Strain relief according to EN 62444
- Fastening with adhesive and/or with screw (not included)
- Reusable
- Cost effective and practical solution

The CFP series cable ties are used for single or multiple cables offering an available space ranging from 7 to 32 mm cable diameter. They are reusable and lock the cables with excellent strain relief. Fixing is done in a very short time with an adhesive base and/or with a central screw.

**Material:** PA66, halogen-free, silicone-free

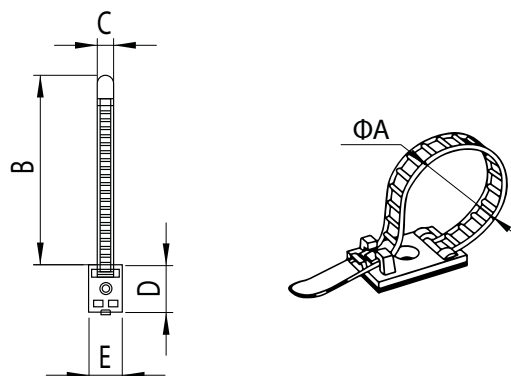
**Flammability:** self-extinguishing acc. to UL94-V2

**Temperature:** -20°C... +100°C (static)



Model	Code	Ø A min/max (mm)	Dimensions (mm)				Pcs (/pack)
			B	C	D	E	
CFP 1	1733030110	7 - 24	91	8	25	18	100
CFP 2	1733030120	10 - 24	90	12	30	21	
CFP 3	1733030130	10 - 32	110	12	30	21	

### Dimensions (mm)





### FEATURES

- The Velcro® ties can be reusable many times
- Adaptable to the cable shape
- Suitable for high vibration scenarios
- Packed pre-cut in reels
- Without glue, no chemical traces
- Standard color black, other colors on demand

The Velcro® cable ties allow a large number of cables to be bundled together. They prevent damage during vibration events and can be reused several times. The OW series includes already pre-cut ties conveniently packed in 100 pcs reel.

**Material:** PP + Nylon

**Flammability:** self-extinguishing acc. UL94-V2

**Temperature:** 0°C... +104°C (static)

### RELATED PRODUCTS

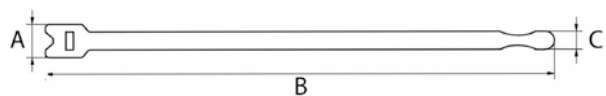
- AP strain relief modules
- AP-DP double-comb strain relief modules
- APD strain relief modules for DIN rails



Model	Code	Dimensions (mm)			Pcs (/pack)
		A	B	C	
OW13	1733021012	13	200	7	1
OW20	1733021013	20	230	13	



### Dimensions (mm)





## Hook and loop cable ties

### FEATURES

- The hook and loop cable ties can be reused
- Adaptable to the shape of the cable bundles
- Particularly effective in the event of vibration
- Also available in reels



Hook and loop cable ties allow a large number of cables to be bundled together. They prevent damage in the event of vibration and can be reused many times. They are available in 3 different types or in 25 m reels.

**Material:** PE + Nylon

**Flammability:** self-extinguishing acc. UL94-V2

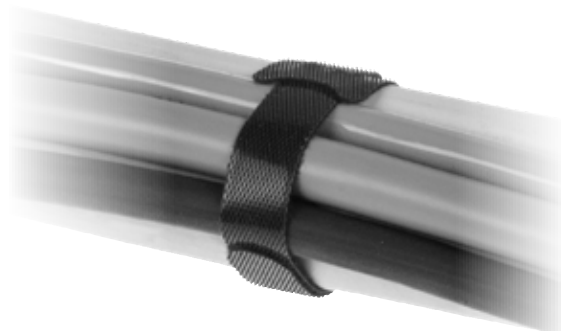
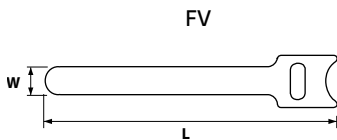
**Temperature:** 0°C... +104°C (static)

### RELATED PRODUCTS

- AP strain relief modules
- AP-DP double-comb strain relief modules
- APD strain relief modules for DIN rails

Model	Code	Dimensions		Pcs (/pack)
		L	W (mm)	
FV1	1733020020	200 mm	10	100
FV2	1733020025	200 mm	13	
FV3	1733020030	300 mm	17	
BOB 10X25	1733021010	25 m	10	1
BOB 20X25	1733021020	25 m	20	
BOB 15X10	1733021006	10 m	15	
BOB 19X10	1733021008	10 m	19	
BOB 38X10	1733021009	10 m	38	

### Dimensions (mm)





### FEATURES

- Especially designed for food and pharma industries
- Self-extinguishing UL94-V2
- 4 measures standard, others on request
- Usable in the HACCP process

The metal detectable cable ties are FDA compliant for Food & Pharma applications. A particular production process add a metallic pigment which makes the cable ties detectable by x-rays and metal detectors. They can be used in the HACCP process reducing the risk of food contamination. The blue color help the visual recognition.

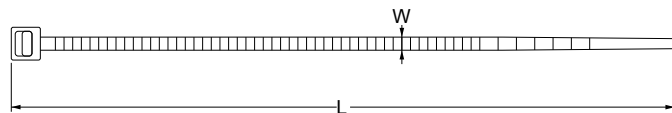
**Material:** PA66, halogens free  
**Flammability:** self-extinguishing acc. UL94-V2  
**Temperature:** 0°C... +85°C (static)\*

Model	Code	Dimensions (mm)		Pcs (/pack)
		L	W	
FVM101	1733021101	100	2,5	100
FVM150	1733021150	150	3,6	
FVM200	1733021200	200	4,8	
FVM300	1733021300	300	4,8	
<b>NEW</b> FVM360	1733021199	360	4,5	

### RELATED PRODUCTS

- DES PDM 24 CLEAN
- FVM cable ties

### Dimensions (mm)

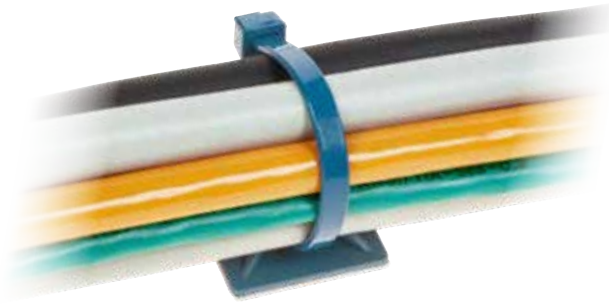


\* For temperatures below 0°C please request the special version





## Fixing clips for metal detectable cable ties



### FEATURES

- Specific for the food and pharmaceutical industry
- UL94-HB
- Double fixing system: adhesive or screws
- Fixing on four sides
- Can be used in the HACCP process

The fixing clips for FVM cable ties are specially designed for the food and pharmaceutical industry. Thanks to an exclusive manufacturing process, a metallic pigment is added to the clips making them detectable by metal detectors or X-ray devices. The mounting supports allow the fixing of the clamps even in areas with high vibrations, thanks to the 4 direction fixing. Can be used in the HACCP process reducing the risk of food contamination. The blue colour facilitates visual recognition.

**Material:** PA66

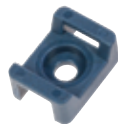
**Flammability:** UL94-HB

**Temperature:** -40°C... +85°C (static)

### RELATED PRODUCTS

- DES PDM 24 CLEAN
- FVM cable ties

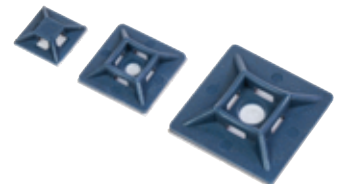
Model	Code	Dimensions (mm)				Cable tie width min/max (mm)	Pcs (/pack)
		L	W	H	D		
FVS-Q1	1733021305	12,8	12,8	3,4	-	3,2	100
FVS-Q2	1733021310	19	19	4,2	3,5	4	
FVS-Q3	1733021315	28,1	28,1	5,2	5,7	5,3	
FVS-R8	1733021326	14,9	9,6	7,2	3,7	4,8	
FVS-T10	1733021335	21,7	15,9	9,7	4,5	9	



FVS-T10

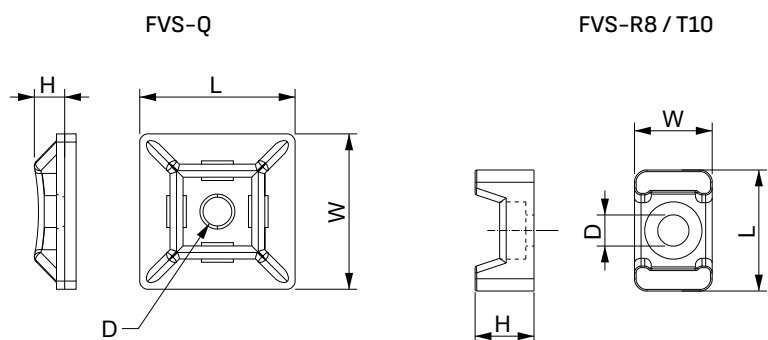


FVS-R8



FVS-Q

### Dimensions (mm)



# GROUP 4

EMC SHIELDING

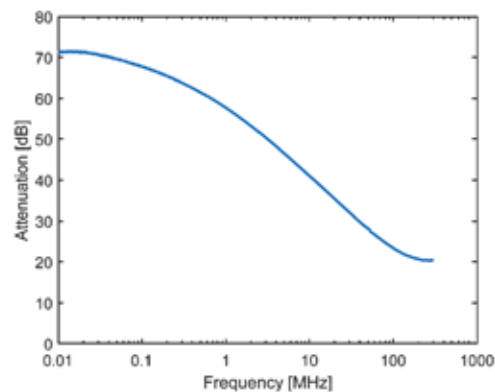
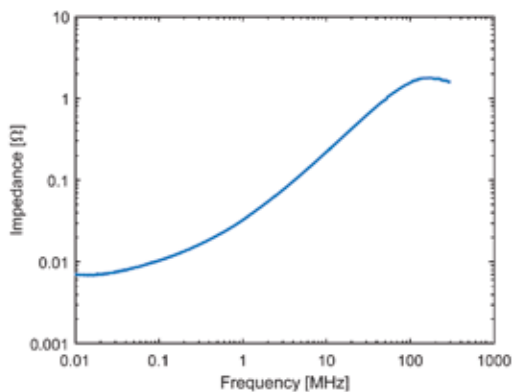


# DETASULTRA EMC SHIELDING

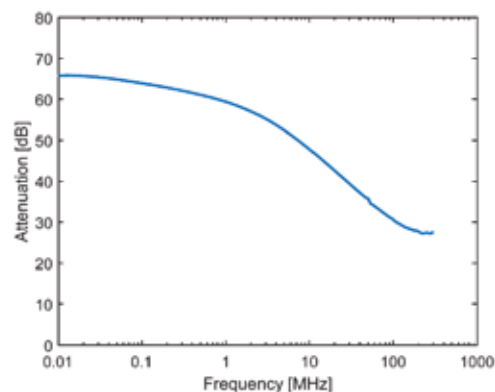
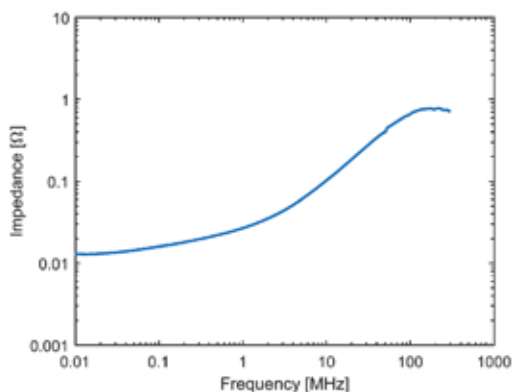
Thanks to Detas' long-standing experience in noise-suppression technology – particularly in solving issues related to conducted and radiated emissions with line filters – we have developed the DetasUltra EMC shielding clamps. Leveraging this know-how, we are able to guarantee efficient solutions for grounding cable shields in any industrial application. DetasUltra shielding clamps are characterized by low impedance even at high-frequency EMI disturbances (>300 MHz).

Figures 1/2/3 show how the clamp's impedance remains very low across three different installation modes, even as the disturbance frequency varies, ensuring a high level of attenuation.

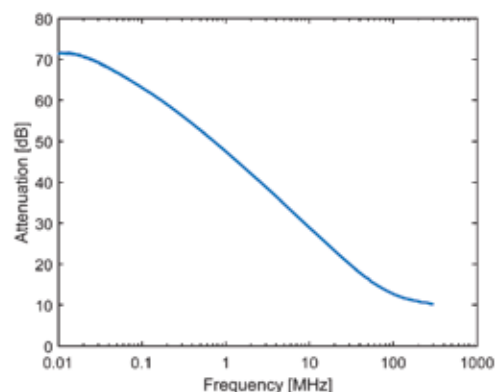
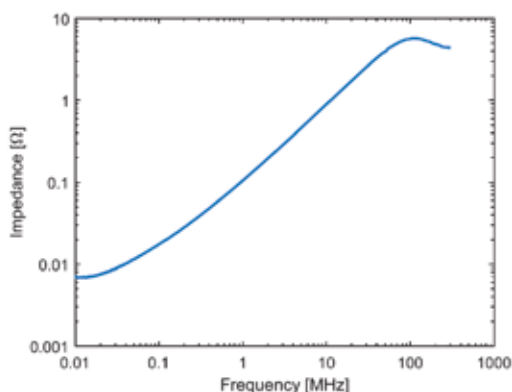
## 1 - SHIELD CLAMP WITH SCREW FIXING



## 2 - SHIELD CLAMP FOR DIN-RAILS



## 3 - SHIELD CLAMP FOR 3X10MM BAR



# SHIELDING CLAMPS OVERVIEW

## DIN RAIL SHIELDING CLAMPS

MODEL	MSD	MSD2	MSP	MSPC	MSG	MSFD
CLAMPING RANGE (mm)	22 - 74	1,5 - 22	1,5 - 6	3 - 10	1,5 - 9	3 - 32
PAGE	150	149	151	151	148	161

## BUSBAR 3X10 SHIELDING CLAMPS

MODEL	MSB	MSBS	MSR	MSRK	MSRP	MSRC	MSH	MSFC	MSRQ
CLAMPING RANGE (mm)	1,5 - 22	1,5 - 22	1,5 - 22	3 - 11	1,5 - 9	3 - 10	2 - 35	2 - 32	3 - 12
PAGE	153	152	154	154	155	155	156	162	156

## SCREW FIXING SHIELDING CLAMPS

MODEL	MSF	MSS	MSS2	MSS3	MSL	MSA	MSAS
CLAMPING RANGE (mm)	2 - 32	30 - 74	1,5 - 30	1,5 - 11	3 - 19	1,5 - 30	1,5 - 22
PAGE	161	138	137	139	140	144	142

MODEL	MSAD	MSE	MSEA	MSES	MSM
CLAMPING RANGE (mm)	3 - 20	1,5 - 30	3 - 12	1,5 - 22	1,5 - 12
PAGE	143	146	147	145	141

## C BAR SHIELDING CLAMPS

MODEL	MST	MSFE
CLAMPING RANGE (mm)	6 - 42	3 - 32
PAGE	159	162

## PRINTED CIRCUIT BOARD SHIELDING CLAMPS

MODEL	MSC
CLAMPING RANGE (mm)	1,5 - 9
PAGE	163

## MULTIPLE SHIELDING CLAMPS

MODEL	MSU
CLAMPING RANGE (mm)	1,5 - 12
PAGE	160

## FOR I/O MODULES

MODEL	MSK	MSK2	MSY	MSY2
CLAMPING RANGE (mm)	1,5 - 9	1,5 - 9	1,5 - 9	1,5 - 9
PAGE	157	157	158	158

## OTHER

MODEL	MB	EMCS	EMCZ	BROSF	EMC ADP
CLAMPING RANGE (mm)	-	-	-	1,5 - 6	
PAGE	169	165	167 - 168	166	164



## Shielding clamps without base

### FEATURES

- Suitable for a cable diameter range from 1,5 to 30 mm
- Ideal adherence to cable shielding
- **Increased wing length for easier cable insertion**
- Constant pressure on the cable braid without having to run tests and checks
- High vibration resistance



The MSS2 shielding clamps enable the cable shield to be grounded easily and effectively. The MSS2 shielding clamps can be fixed with screws or rivets.

**Material:** spring steel, zinc plated

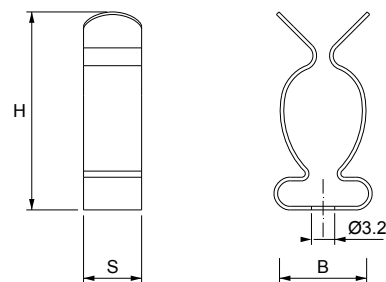
### RELATED PRODUCTS

- MB DIN rail bases (page 169)

Model	Code	Clamping range (mm)	Dimensions (mm)			Pcs (/pack)
			B	H	S	
MSS2 1.5-3	1734010210	1,5 - 3	11	13,5	8	50
MSS2 3-6	1734010220	3 - 6	11	16	8	50
MSS2 7-9	1734010230	7 - 9	11	18,5	8	50
MSS2 9-12	1734010240	9 - 12	12	22	8	50
MSS2 11-17	1734010250	11 - 17	13,5	27	8	50
MSS2 18-22	1734010260	18 - 22	22	36,5	8	50
MSS2 22-30	1734010270	22 - 30	22	43	12	50



### Dimensions (mm)





### FEATURES

- Suitable for a wide range of cable diameter from 30 to 74 mm
- Ideal adherence to cable shielding
- Possibility to mount the springs easily, no need to use tools
- Constant pressure on the cable braid without having to run tests and checks
- High vibration resistance, maintenance free



The MSS shielding clamps enable the cable shield to be grounded easily and effectively. The MSS shielding clamps can be fixed with screws or rivets.

**Material:** spring steel, zinc plated

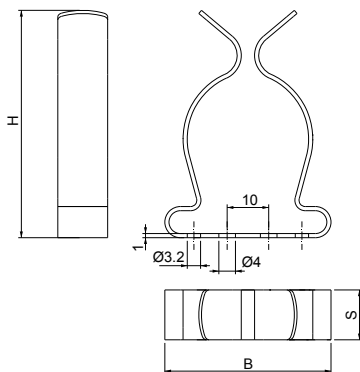
### RELATED PRODUCTS

- MB DIN rail bases (page 169)

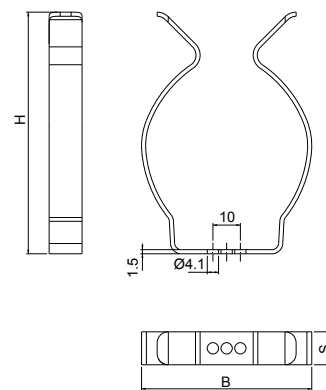
Model	Code	Clamping range (mm)	Dimensions (mm)			Pcs (/pack)
			B	H	S	
MSS 30-37	1734010080	30 - 37	40	55	12	10
MSS 38-48	1734010090	38 - 48	40	64	12	
MSS 50-60	1734010095	50 - 60	50	74,5	12	
MSS 62-74	1734010100	62 - 74	62	88	12	

### Dimensions (mm)

MSS 30-37 / MSS 38/48



MSS 50-60 / MSS 62-74





### FEATURES

- Suitable for a cable diameter range from 1,5 to 11 mm
- Side by side mounting possible
- Ideal contact to cable shielding
- One-hand cable insertion
- High vibration resistance

The MSS3 shielding clamps enable the cable shield to be grounded easily and effectively. Their specific design allows effortless cable insertion by leveraging the longer side of the clamp. They also ensure maximum space saving and allow side-by-side mounting, even with one-hand operation.

**Material:** spring steel, zinc plated

### RELATED PRODUCTS

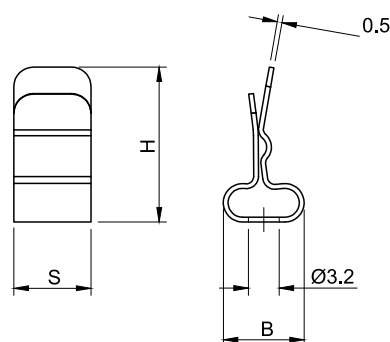
- MB DIN rail bases (page 169)



Model	Code	Clamping range (mm)	Dimensions (mm)			Pcs (/pack)
			B	H	S	
MSS3 1,5-3	1734010280	1,5 - 3	8,4	16,1	8	50
MSS3 3-7	1734010281	3 - 7	8,4	21,9	8	
MSS3 6-10	1734010285	6 - 10	8,5	24,7	8	
MSS3 3-11	1734010290	3 - 11	13	19,8	8	



### Dimensions (mm)





### FEATURES

- Suitable for a cable diameter range from 3 to 19 mm
- Snap-in assembly, no need to use tools
- Ideal adherence to cable shielding
- Constant pressure on the cable braid without having to run tests and checks
- High vibration resistance, maintenance free



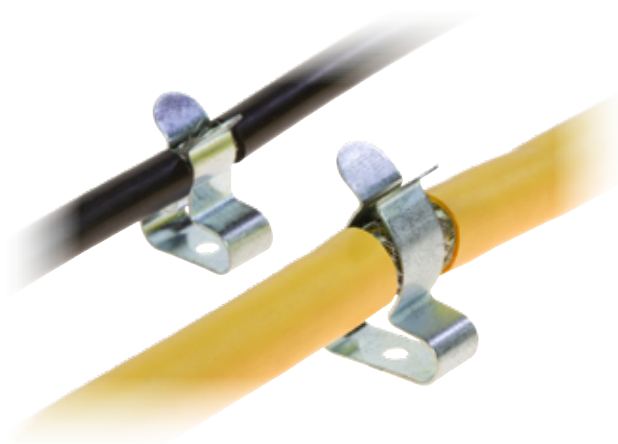
The MSL shield clamps enable the cable shield to be grounded easily and effectively. The MSL shielding clamps can be fixed with screws or rivets.

**Material:** spring steel, zinc plated

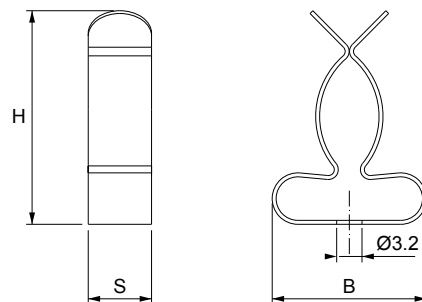
### RELATED PRODUCTS

- MB DIN rail bases (page 169)

Model	Code	Clamping range (mm)	Dimensions (mm)			Pcs (/pack)
			B	H	S	
MSL 3-9	1734010310	3 - 9	16,5	20,6	8	50
MSL 3-12	1734010330	3 - 12	16	15,9	8	
MSL 10-19	1734010320	10 - 19	19,5	27	8	



### Dimensions (mm)





## Screw fixing shielding clamps

### FEATURES

- Suitable for a cable diameter range from 1,5 to 12 mm
- Particularly indicated in small places
- Screw fixing hole M4
- Constant pressure on the cable braid

The MSM and MSML shielding clamps enable the cable shield to be grounded easily and effectively.

The shielding clamp can be fixed with a M4 screw or rivet.

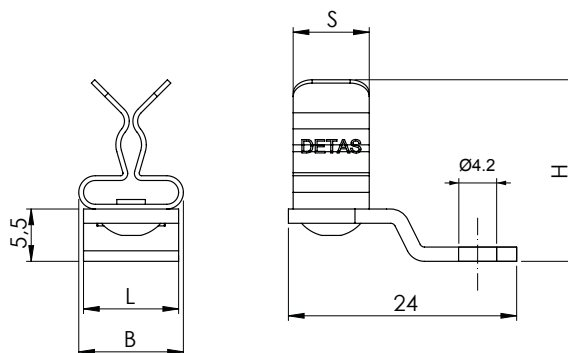
**Material:** spring steel, zinc plated



Model	Code	Clamping range (mm)	Dimensions (mm)				Pcs (/pack)
			L	B	H	S	
MSM 1.5-3	1734030110	1,5 - 3	10	11	19	11	50
MSM 3-6	1734030120	3 - 6	10	11	21,5	11	
MSM 7-9	1734030130	7 - 9	10	11	24	11	
MSM 9-12	1734030140	9 - 12	10	12	27,5	12	
MSML 3-9	1734030180	3 - 9	10	16,5	22	8	



### Dimensions (mm)





### FEATURES

- Suitable for a cable diameter range from 1,5 to 22 mm
- Shield grounding and strain relief in the same device
- Screw fixing hole M4
- Cost effective

The MSAS shielding clamps enable the cable shield to be grounded easily and effectively. They secure the strain relief function with one or two cable ties. The shielding clamp can be fixed with a M4 screw.

**Material:** spring steel, zinc plated

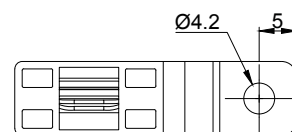
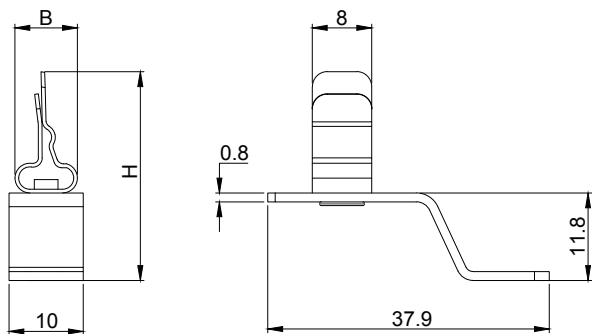
\*Other fixing holes on request

Cable ties are sold separately



Model	Code	Clamping range (mm)	Dimensions (mm)		Pcs (/pack)
			B	H	
MSAS 1.5-3	1734029800	1,5 - 3	8,4	28,1	50
MSAS 3-6	1734029810	3 - 6	11	27,9	
MSAS 3-11	1734029860	3 - 11	13	31,6	
MSAS 6-10	1734029820	6 - 10	8,6	36,6	
MSAS 9-12	1734029830	9 - 12	12	33,5	
MSAS 11-17	1734029840	11 - 17	14	39,1	
MSAS 18-22	1734029850	18 - 22	22	48,3	

### Dimensions (mm)



## Screw fixing shielding clamps

### FEATURES

- Suitable for a cable diameter range from 3 to 20 mm
- Shield grounding and strain relief in the same device
- Very compact size, side-by-side mounting
- Screw fixing hole M4
- Strain relief with 2 cable ties
- Cost-effective solution
- One-handed cable insertion

MSAD Series shielding clamps offer an innovative solution for grounding cable shields. They are manufactured as a single molded piece, eliminating the need for rivets. This feature delivers significant cost savings and extends the clamp's lifespan. Another key advantage is the clamp's width, which allows side-by-side mounting and provides considerable space savings. In addition, the clamp remains perfectly aligned with the panel base, enabling much faster cable insertion, even with one hand.

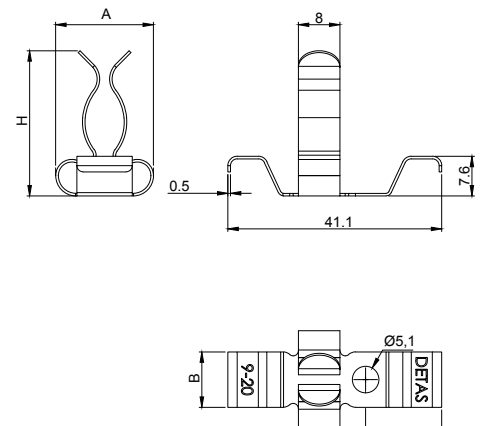
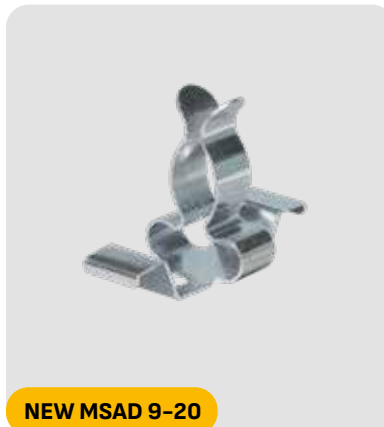
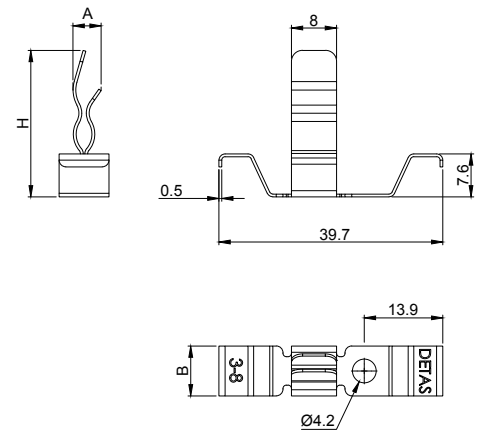
**Material:** spring steel, zinc plated

Cable ties are sold separately



	Model	Code	Clamping range (mm)	Dimensions (mm)			Pcs (/pack)
				A	B	H	
NEW	MSAD 3-8	1734030193	3 - 8	5	8,9	25	50
	MSAD 9-20	1734030200	9 - 20	18,8	10,7	27,9	

### Dimensions (mm)





### FEATURES

- Suitable for a wide range of cable diameter from 1,5 to 30 mm
- Shield grounding and strain relief in the same device
- Double cable tie
- Snap-in assembly, no need to use tools
- Constant pressure on the cable braid without having to run tests and checks
- Screw fixing hole M4\*



The MSA shielding clamps enable the cable shield to be grounded easily and effectively. They secure additional strain relief with two cable ties. The shielding clamp can be fixed with a M4 screw.  
The strain relief function complies with EN 62444 standard.

**Material:** spring steel, zinc plated

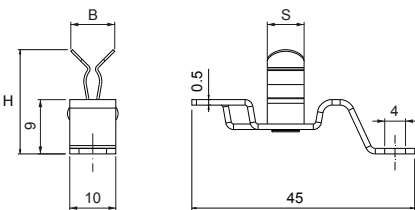
\*Other fixing holes on request

Cable ties are sold separately

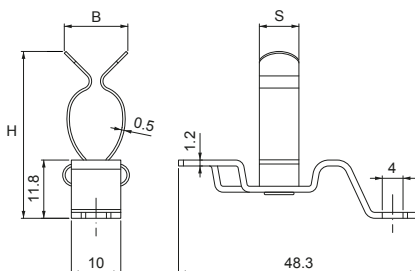
Model	Code	Clamping range (mm)	Thickness (mm)	Dimensions (mm)			Pcs x conf.
				B	H	S	
MSA 1.5-3	1734030010	1,5 - 3	0,5	11	17	8	50
MSA 3-6	1734030020	3 - 6	0,5	11	20	8	
MSA 7-9	1734030030	7 - 9	1,2	11	25	8	
MSA 9-12	1734030040	9 - 12	1,2	13,5	34	8	
MSA 11-17	1734030050	11 - 17	1,2	12	31	8	
MSA 18-22	1734030060	18 - 22	1,2	22	43	8	
MSA 22-30	1734030070	22 - 30	1,2	22,5	50	12	
MSAL 3-9	1734030080	3 - 9	1,2	16,5	27	8	
MSAL 10-19	1734030090	10 - 19	1,2	19,5	30,5	8	

### Dimensions (mm)

Thickness 0,5 version



Thickness 1,2 version



Product not available in Germany





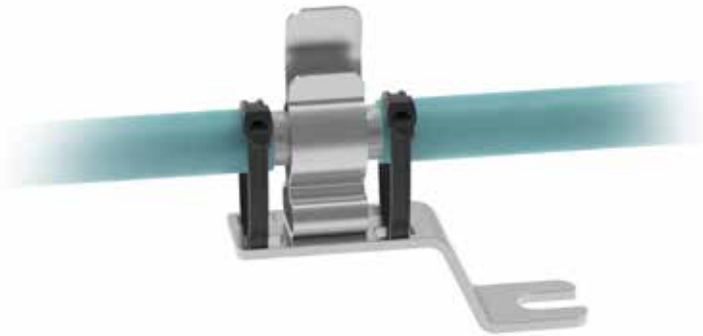
## Screw fixing shielding clamps

### FEATURES

- Suitable for a cable diameter range from 1,5 to 22 mm
- Shield grounding and strain relief functions with a single device
- Secured with two cable ties
- Snap-in assembly, no need to use tools
- Very compact design

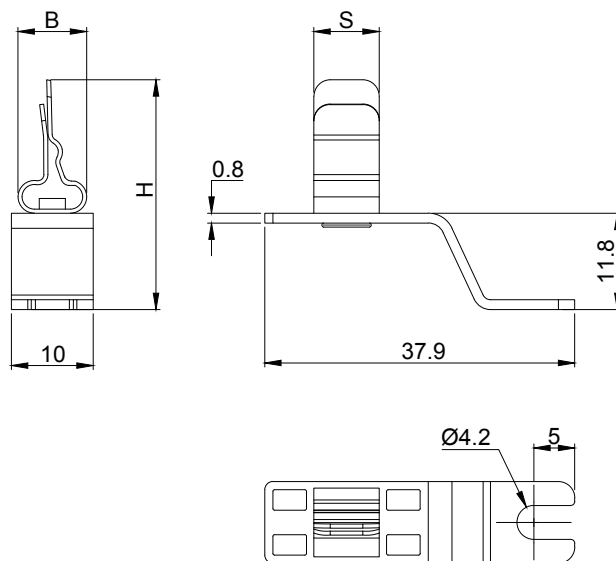
The MSES shielding clamps enable the cable shield to be grounded easily and effectively. They secure the strain relief function with one or two cable ties. The shielding clamp can be fixed with a M4 screw.

**Material:** spring steel, zinc plated



Model	Code	Clamping range (mm)	Dimensions (mm)		Pcs (/pack)
			B	H	
MSES 1.5-3	1734050100	1,5 - 3	8,4	28,1	50
MSES 3-6	1734050105	3 - 6	11	27,9	
MSES 6-10	1734050110	6 - 10	8,6	36,6	
MSES 11-17	1734050120	11 - 17	14	39,1	
MSES 18-22	1734050125	18 - 22	22	48,3	

### Dimensions (mm)





### FEATURES

- Suitable for a cable diameter range from 1,5 to 30 mm
- Shield grounding and strain relief functions with a single device
- Double cable tie
- Snap-in assembly, no need to use tools
- Constant pressure on the cable braid without having to run tests and checks

The MSE shielding clamps enable the cable shield to be grounded easily and effectively. They secure additional strain relief with two cable ties. The shielding clamp can be fixed with a M4 screw.

**Material:** spring steel, zinc plated

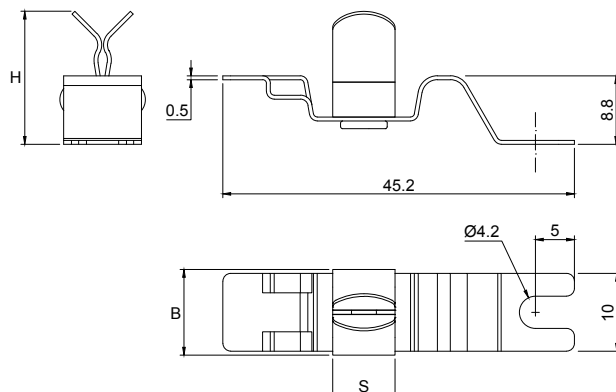
Cable ties are sold separately



Model	Code	Clamping range (mm)	Dimensions (mm)			Pcs (/pack)
			B	H	S	
MSE 1.5-3	1734050010	1,5 - 3	11	17,1	8	50
MSE 3-6	1734050020	3 - 6	11	19,7	8	
MSE 7-9	1734050030	7 - 9	11	22	8	
MSE 9-12	1734050040	9 - 12	12	25,2	8	
MSE 11-17	1734050050	11 - 17	13,5	30,8	8	
MSE 18-22	1734050060	18-22	22	40	8	
MSE 22-30	1734050070	22-30	22,5	46,9	12	
MSEL 3-12	1734050080	3 - 12	16,5	19,2	8	
MSEL 10-19	1734050090	10 - 19	19,5	30,5	8	

Product not available in Germany

### Dimensions (mm)





## Screw fixing shielding clamps

### FEATURES

- Suitable for a cable diameter range from 3 to 12 mm
- Shield grounding and strain relief functions with a single device
- Double cable tie
- Snap-in assembly, no need to use tools
- Constant pressure on the cable braid without having to run tests and checks



The MSEA shielding clamps enable the cable shield to be grounded easily and effectively. They secure additional strain relief with one or two cable ties. The shielding clamp can be fixed with a M4 screw.

**Material:** spring steel, zinc plated

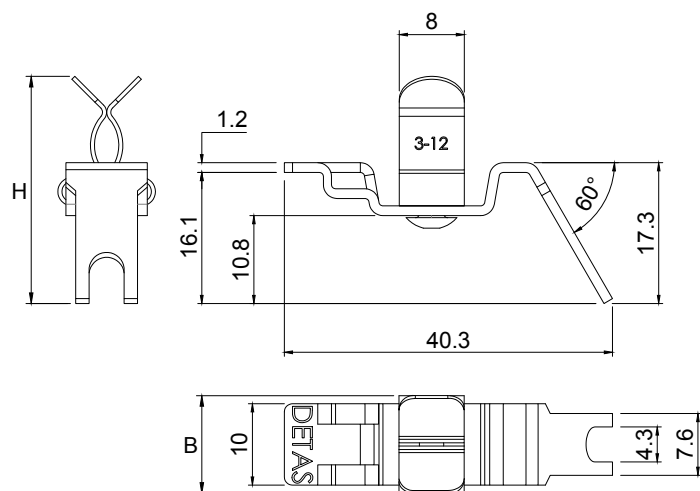
Cable ties are sold separately

Model	Code	Clamping range (mm)	Dimensions (mm)		Pcs (/pack)
			B	H	
MSEA 3-6	1734050130	3 - 6	11	28	50
MSEA 7-9	1734050135	7 - 9	11	31	
MSEA 9-12	1734050140	9 - 12	12	34	
MSEAL 3-12	1734050150	3 - 12	12	28	

Product not available in Germany



### Dimensions (mm)





### FEATURES

- Suitable for a cable diameter range from 1,5 to 9 mm
- Shield grounding and strain relief functions with a unique device
- Easy and fast installation without tools
- Constant pressure on the cable braid without having to run tests and checks

The MSG shielding clamps enable the cable shield to be grounded easily and effectively. They secure additional strain relief with one cable tie.

The MSG shielding clamps can be used on TH15 DIN rails.

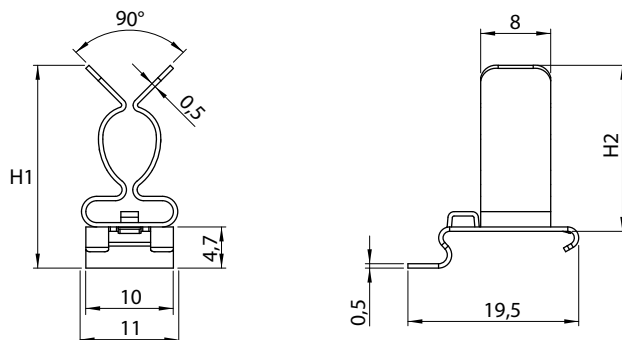
**Material:** spring steel, zinc plated



Model	Code	Clamping range (mm)	Dimensions (mm)		Pcs (/pack)
			H1	H2	
MSG 1.5-3	1734060110	1,5 - 3	18,3	14,1	50
MSG 3-6	1734060120	3 - 6	21	17	
MSG 7-9	1734060130	7 - 9	23,2	19	



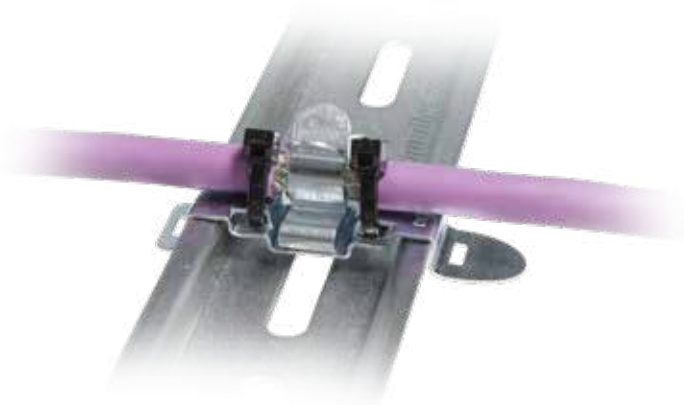
### Dimensions (mm)





### FEATURES

- Suitable for a cable diameter range from 1,5 to 22 mm
- Snap-in assembly, no need to use tools
- Double cable tie
- Shield grounding and strain relief functions with a single device
- Ideal adherence to cable shielding
- Constant pressure on the cable braid without having to run tests and checks



The MSD2 shielding clamps enable the cable shield to be grounded easily and effectively. They secure additional strain relief with two cable ties.

The strain relief function complies with EN 62444 standard.

The MSD2 shielding clamps can be used on TH35 DIN rails.

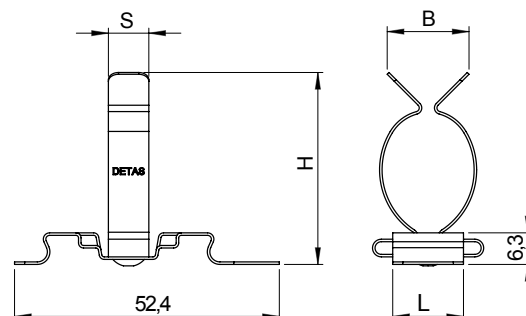
**Material:** spring steel, zinc plated

Cable ties are sold separately

Model	Code	Clamping range (mm)	Dimensions (mm)				Pcs (/pack)
			L	B	H	S	
MSD2 1.5-3	1734021010	1,5 - 3	14	11	15	8	50
MSD2 3-6	1734021020	3 - 6	14	11	17,5	8	
MSD2 7-9	1734021030	7 - 9	14	11	20	8	
MSD2 9-12	1734021040	9 - 12	14	12	23	8	
MSD2 11-17	1734021050	11 - 17	14	13,5	29	8	
MSD2 18-22	1734021060	18 - 22	14	22	38	8	
MSD2L 3-9	1734021080	3 - 9	14	16,5	22	8	
MSD2L 3-12	1734021081	3 - 12	14	16,5	22	8	
MSD2L 10-19	1734021090	10 - 19	14	19,5	28,5	8	



### Dimensions (mm)





### FEATURES

- Suitable for a wide range of cable diameter from 22 to 74 mm
- Snap-in assembly, no need to use tools
- Available with two bases: 14 and 22 mm
- High vibration resistance
- Shield grounding and strain relief function with the same device
- Ideal contact to cable shielding
- Constant pressure on the cable braid without having to run tests and checks

The MSD shielding clamps enable the cable shield to be grounded easily and effectively. They secure additional strain relief with one cable tie.

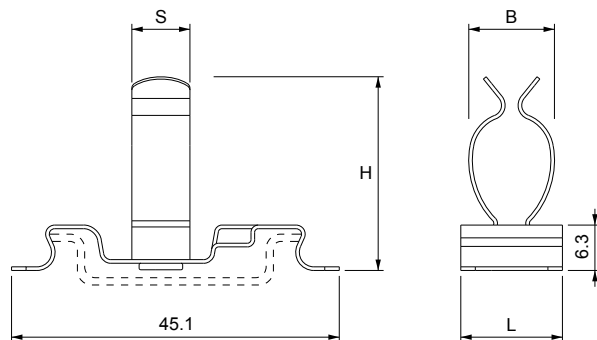
**Material:** spring steel, zinc plated



Model	Code	Clamping range (mm)	Dimensions (mm)				Pcs (/pack)
			L	B	H	S	
MSD 22-30	1734020070	22 - 30	22	22,5	45	12	10
MSD 30-37	1734020080	30 - 37	22	31	58	12	
MSD 38-48	1734020090	38 - 48	22	40	68,5	12	
MSD 50-60	1734021095	50-60	22	50	75	12	
MSD 62-74	1734021098	62-74	22	62	89	12	



### Dimensions (mm)



### FEATURES

- Suitable for a cable diameter range from 1,5 to 10 mm
- Snap-in assembly, no need to use tools
- Space savings compared to conventional models
- Shield grounding and strain relief function with the same device
- Ideal adherence to cable shielding
- Constant pressure on the cable braid without having to run tests and checks

The MSP/MSPC shield clamps enable the cable shield to be grounded easily and effectively. They secure additional strain relief with one cable tie. The strain relief function complies with EN 62444 standard.

The special shape allows side-by-side mounting on the TH35 DIN rails with a significant space saving in the cabinet.

**Material:** spring steel, zinc plated



Model	Code	Clamping range (mm)	Dimensions (mm)			Pcs (/pack)
			L	B	H	
MSP 1.5 - 3*	1734010410	1,5 - 3	52,4	20	15,5	50
MSP 1.5 - 3 V2	1734010411	1,5 - 3	52,4	20	16,5	
MSP 3 - 6*	1734010420	3 - 6	52,4	20	18	
MSPC 3 - 7	1734010421	3 - 7	52,4	24	24	
MSPC 6 - 10	1734010425	6 - 10	52,4	24	32	

\* Not available in Germany



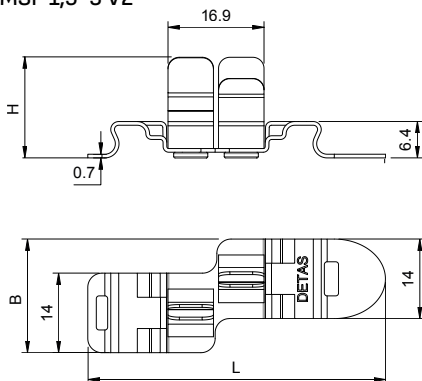
MSPC 3 - 7



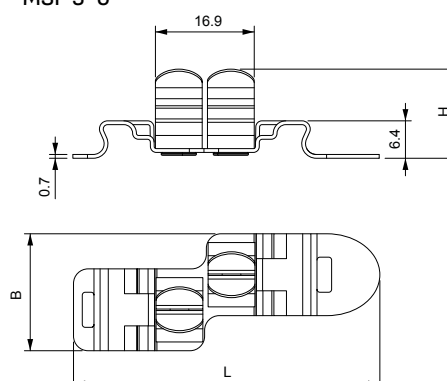
MSP 3 - 6

### Dimensions (mm)

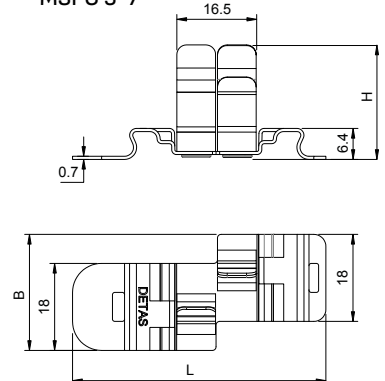
MSP 1,5-3 V2



MSP 3-6\*



MSPC 3-7





# MSBS

## Shielding clamps for 10x3 mm busbar

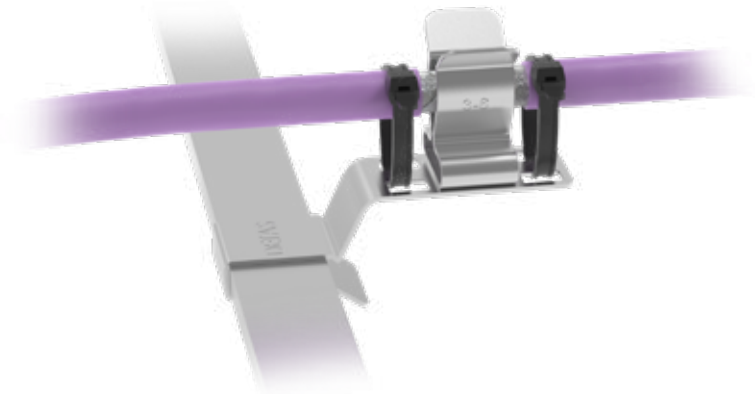
### FEATURES

- Suitable for a cable diameter range from 1,5 to 22 mm
- Shield grounding and strain relief functions with a single device
- Double cable tie
- Snap-in assembly, no need to use tools
- Very compact design

The MSBS shielding clamps enable the cable shield to be grounded easily and effectively. They secure the additional strain relief function with one or two cable ties. The shielding clamp can be installed on busbar 3x10 mm.

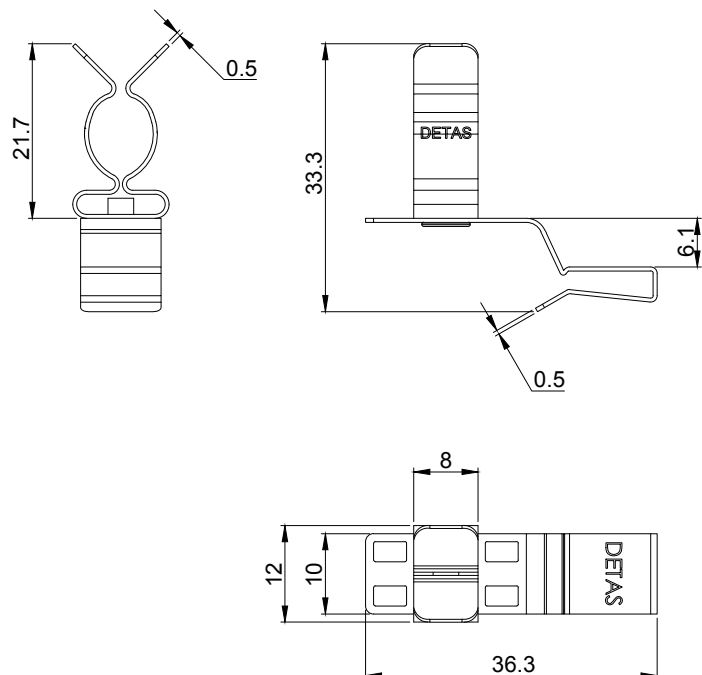
**Material:** spring steel, zinc plated

Cable ties are sold separately



Model	Code	Clamping range (mm)	Dimensions (mm)		Pcs (/pack)
			H	B	
MSBS 1.5-3	1734040015	1,5 - 3	25,2	11	50
MSBS 3-6	1734040024	3 - 6	27,8	11	
MSBS 6-10	1734040035	6 - 10	30,1	11	
MSBS 9-12	1734040045	9 - 12	33,3	12	
MSBS 11-17	1734040055	11 - 17	38,9	14	
MSBS 18-22	1734040065	18 - 22	48,1	22	

### Dimensions (mm)

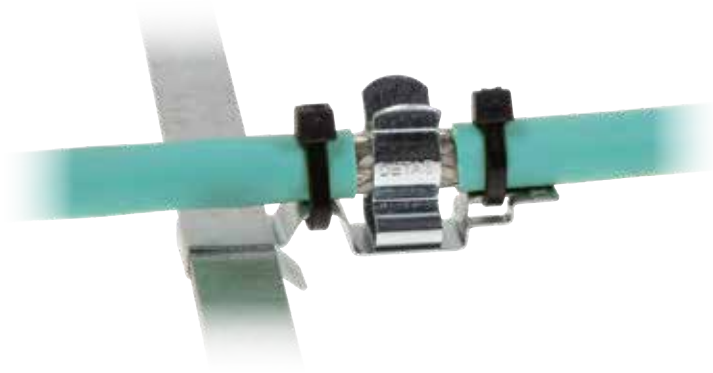




## Shielding clamps for 10x3 mm busbar

### FEATURES

- Suitable for a cable diameter range from 1,5 to 22 mm
- Shield grounding and strain relief function with the same device
- Double cable tie
- Snap-in assembly, no need to use tools
- Constant pressure on the cable braid without having to run tests and checks



The MSB shielding clamps enable the cable shield to be grounded easily and effectively. They secure the additional strain relief function with two cable ties. The MSB shielding clamps can be used on 10x3 bars.

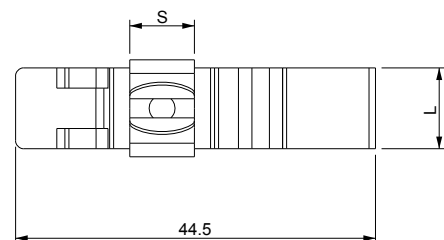
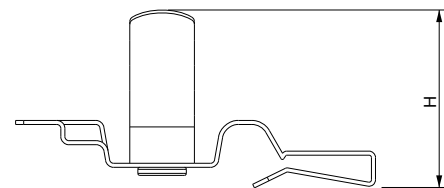
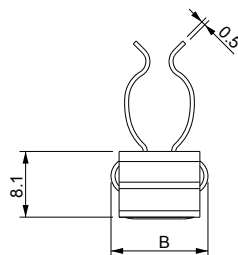
**Material:** spring steel, zinc plated

Cable ties are sold separately

Model	Code	Clamping range (mm)	Dimensions (mm)				Pcs (/pack)
			L	B	H	S	
MSB 1.5-3	1734040010	1,5 - 3	10	11	15	8	50
MSB 3-6	1734040020	3 - 6	10	11	17	8	
MSB 7-9	1734040030	7 - 9	10	11	20	8	
MSB 9-12	1734040040	9 - 12	10	12	22	8	
MSB 11-17	1734040050	11 - 17	10	13,5	28	8	
MSB 18-22	1734040060	18 - 22	10	22	37	8	
MSBL 3-9	1734040080	3 - 9	10	16,5	23,5	8	
MSBL 10-19	1734040090	10 - 19	10	19,5	30	8	

Product not available in Germany

### Dimensions (mm)





# MSR / MSRK

## Shielding clamps for 10x3 mm busbar

### FEATURES

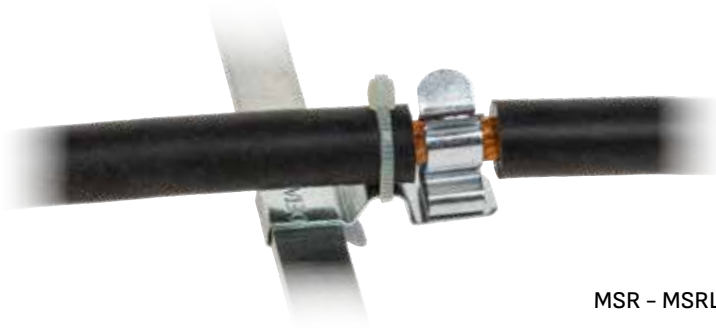
- Suitable for a cable diameter range from 1,5 to 22 mm
- Shield grounding and strain relief function with the same device
- Snap-in assembly, no need to use tools
- Constant pressure on the cable braid without having to run tests and checks

The MSR shielding clamps enable the cable shield to be grounded easily and effectively. They secure the additional strain relief function with one cable tie. The MSR shielding clamps can be used on 10x3 busbar.

The strain relief function complies with EN 62444 standard.

**Material:** spring steel, zinc plated

Cable ties are sold separately



MSR - MSRL

Model	Code	Clamping range (mm)	Dimensions (mm)				Pcs (/pack)
			L	B	H	S	
MSR 1.5-3	1734040310	1,5 - 3	10	11	16,5	8	50
MSR 3-6	1734040320	3 - 6	10	11	19	8	
MSR 7-9	1734040330	7 - 9	10	11	21,5	8	
MSR 9-12	1734040340	9 - 12	10	12	24,5	8	
MSR 11-17	1734040350	11 - 17	10	13,5	30	8	
MSR 18-22	1734040360	18 - 22	10	22	39,5	8	
MSRL 3-12	1734040381	3 - 12	10	16	19	8	
MSRL 10-19	1734040390	10 - 19	10	19,5	30	8	
<b>NEW</b> MSRK 3-11	1734040250	3 - 11	10	13	19	8	



**NEW MSRK 3-11**

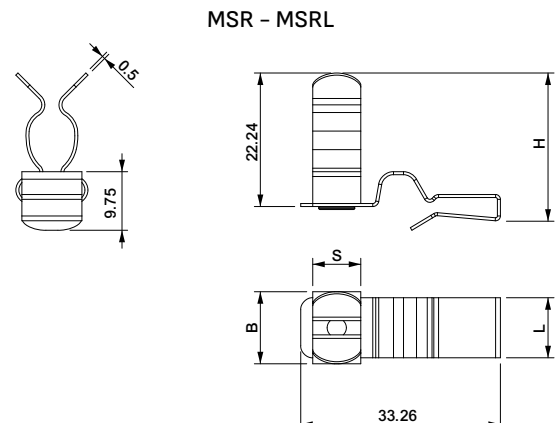
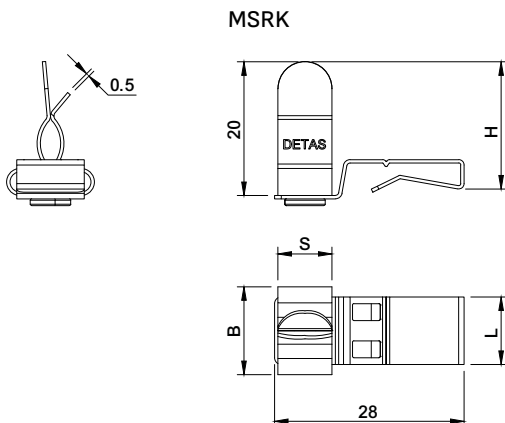


**NEW MSRK 3-11**



MSR - MSRL

### Dimensions (mm)



## Shielding clamps for 10x3 mm busbar

### FEATURES

- Suitable for a cable diameter range from 1,5 to 10 mm
- Shield grounding and strain relief functions in a single device
- Snap-in assembly, no need to use tools
- Constant pressure of the clamp on the cable braid without having to run tests and checks

The MSRP/MSRC shielding clamps allow to easily and effectively ground the cable shield and guarantee the strain relief function with a cable tie.

The special shape allows side-by-side mounting on a 10x3 mm busbar, allowing significant space savings on the cabinet.

**Material:** spring steel, zinc plated

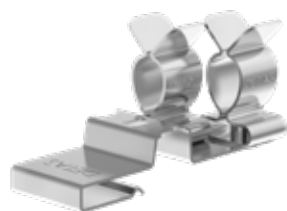
Cable ties are sold separately



MSRP 1.5-3 V2

Model	Code	Clamping range (mm)	Dimensions (mm) H	Pcs (/pack)
MSRP 1.5-3 V2	1734040111	1,5 - 3	16,5	50
MSRP 3-6*	1734040120	3 - 6	19,1	
MSRP 7-9*	1734040130	7 - 9	21,4	
MSRC 3-7	1734040121	3 - 7	27,2	
MSRC 6-10	1734040131	6 - 10	30	

\* Not available in Germany



MSRP 3 - 6

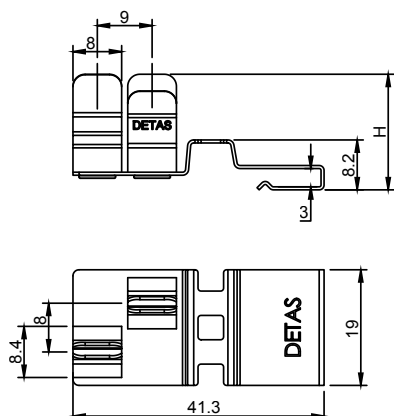


MSRC 3 - 7

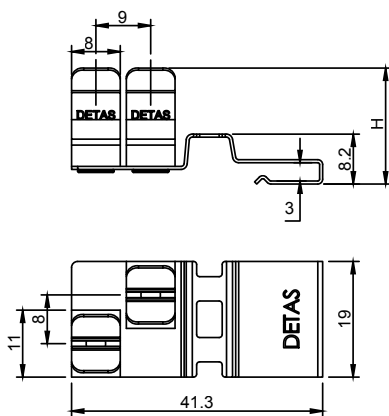


### Dimensions (mm)

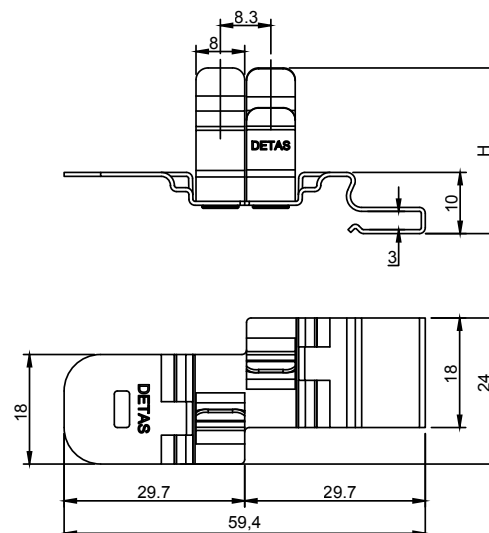
MSRP 1.5-3 V2



MSRP 3 - 6 / MSRP 7 - 9



MSRC 3 - 7 / MSRC 6 - 10





# MSRQ

## Shielding clamps for 10x3 mm busbar

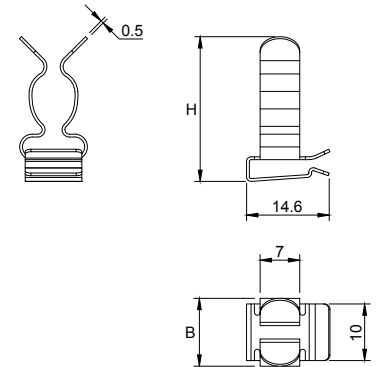
### FEATURES

- Installation on 10 x 3 busbar
- Very compact size
- Snap-in assembly, no need to use tools
- Constant pressure on the cable braid without having to run tests and checks

MSRQ Series shielding clamps offer an innovative solution for grounding cable shields. They are manufactured as a single molded piece, eliminating the need for rivets. This feature delivers significant cost savings and extends the clamp's lifespan. Another key advantage is the clamp's width, which allows side-by-side mounting and provides considerable space savings.



### Dimensions (mm)



**Material:** spring steel, zinc plated

NEW	Model	Code	Clamping range (mm)	Dimensions (mm)		Pcs (/pack)
				B	H	
	MSRQ 3-12	1734040385	3 - 12	16	19,7	50
	MSRQ 9-12	1734040345	9 - 12	12	25,6	



# MSH

## Shielding clamps for 10x3 mm busbar

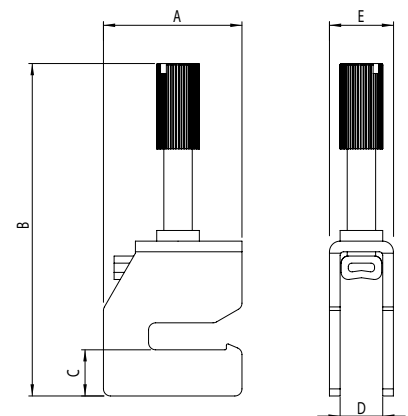
### FEATURES

- Suitable for a cable diameter range from 2 to 35 mm
- Installation on 10x3 busbar
- Snap-in assembly, no need to use tools
- Constant pressure on the cable braid without having to run tests and checks

The MSH shield clamps enable the cable shield to be grounded easily and effectively. The MSH shielding clamps are used on 10x3 busbar and they are secured by tightening the screw which also provides strain relief function.



### Dimensions (mm)



**Material:** spring steel, zinc plated

Model	Code	Clamping range (mm)	Dimensions (mm)					Pcs (/pack)
			A	B	C	D	E	
MSH 2-5	1734040405	2 - 5	19,5	47,5	6,5	6,5	9,4	10
MSH 3-8	1734040408	3 - 8	19,5	49,5	6,5	9	12,4	
MSH 3-14	1734040414	3 - 14	19,5	60,6	6,5	14	17,3	
MSH 3-20	1734040420	3 - 20	19,5	75	6,5	21	24	
MSH 20-35	1734040435	20 - 35	20	106,5	6,5	36	40	



### FEATURES

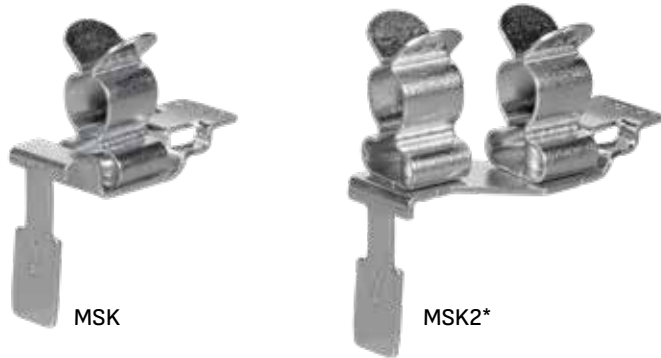
- Suitable for a cable diameter range from 1,5 to 9 mm, other sizes on request
- Shield grounding and strain relief functions in a single device
- For Siemens SIMATIC ET200SP distributed I/O systems
- Constant pressure of the clamp on the cable braid without having to run tests and checks

The MSK/MSK2 shielding clamps allow to easily and effectively ground the cable shield and guarantee the strain relief function with a cable tie.

The special shape allows installation on Siemens SIMATIC ET200SP distributed I/O systems.

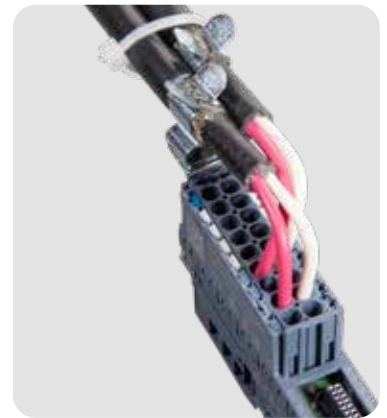
**Material:** spring steel, zinc plated

Cable ties are sold separately

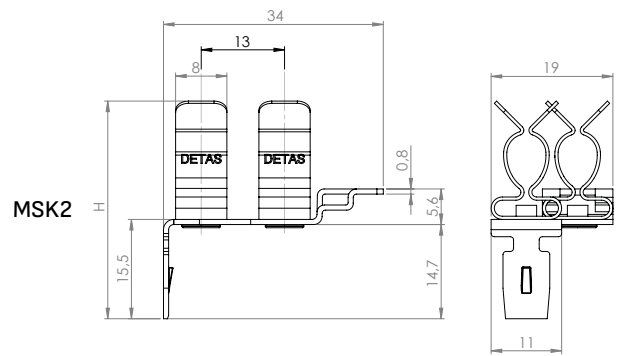
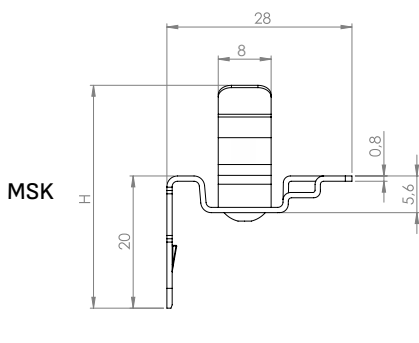


Model	Code	Clamping range (mm)	Dimensions (mm)		Pcs (/pack)
			B	H	
<b>MSK 1.5-3</b>	1734030210	1,5 - 3	8,4	28,8	50
<b>MSK 3-6</b>	1734030220	3 - 6	9,6	31,4	
<b>MSK 7-9</b>	1734030230	7 - 9	10	33,7	
<b>MSK2 1.5-3*</b>	1734030215	1,5 - 3	-	28,8	
<b>MSK2 3-6*</b>	1734030225	3 - 6	-	31,4	
<b>MSK2 7-9*</b>	1734030235	7 - 9	-	33,7	

\* Not available in Germany



### Dimensions (mm)





# MSY / MSY2

## Shielding clamps for I/O Systems

### FEATURES

- Suitable for a cable diameter range from 1,5 to 9 mm, other sizes on request
- Shield grounding and strain relief functions in a single device
- For Siemens SIMATIC ET200S distributed I/O systems
- Constant pressure of the clamp on the cable braid without having to run tests and checks

The MSY/MSY2 shielding clamps allow to easily and effectively earthing the cable shielding and guarantee the strain relief function with a cable tie.

The special shape allows installation on Siemens SIMATIC ET200S distributed I/O systems.

**Material:** spring steel, zinc plated

Cable ties are sold separately



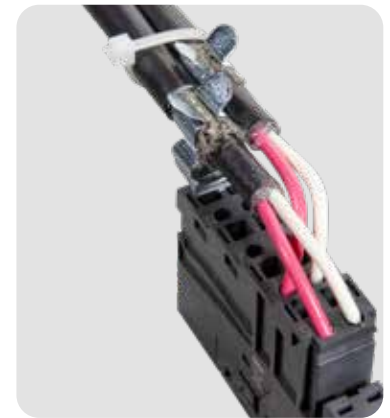
MSY



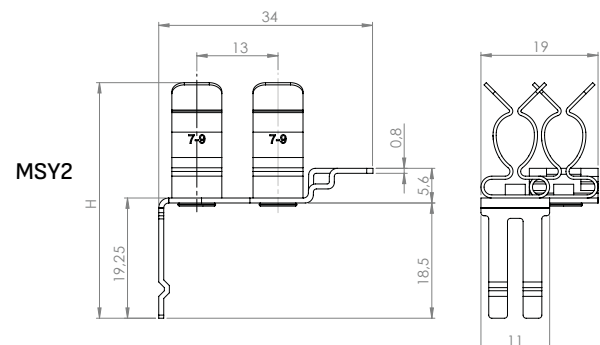
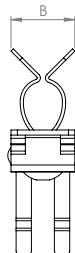
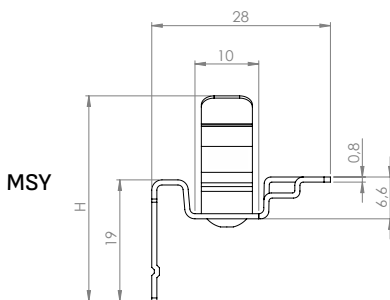
MSY2\*

Model	Code	Clamping range (mm)	Dimensions (mm)		Pcs (/pack)
			B	H	
<b>MSY 1.5-3</b>	1734030240	1,5 - 3	8,4	27,3	50
<b>MSY 3-6</b>	1734030250	3 - 6	9,6	29,9	
<b>MSY 7-9</b>	1734030260	7 - 9	10	32,2	
<b>MSY2 1.5-3*</b>	1734030245	1,5 - 3	-	27,3	
<b>MSY2 3-6*</b>	1734030255	3 - 6	-	29,9	
<b>MSY2 7-9*</b>	1734030265	7 - 9	-	32,2	

\* Not available in Germany



### Dimensions (mm)





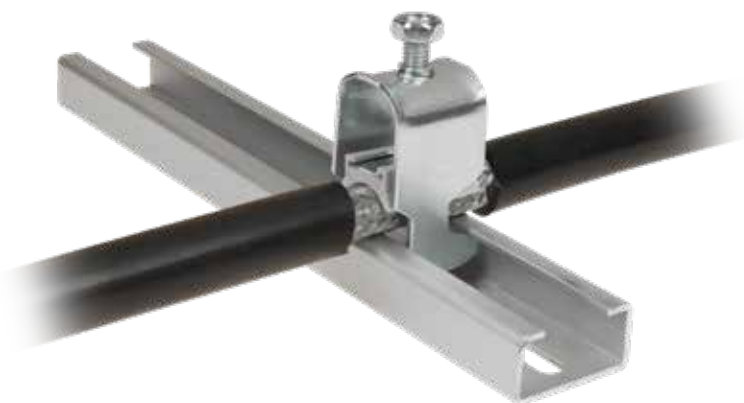
## Shielding clamp for C 30 mm rail

### FEATURES

- Suitable for a wide range of cable diameter from 6 to 42 mm
- Installation on C rail 30 mm
- Snap-in assembly with tightening nut
- Cost effective

The MST shield clamps enable the cable shield to be grounded easily and effectively. The MST shield clamps are used on the C 30 mm rail and they are secured by tightening the screw which also ensures the strain relief function.

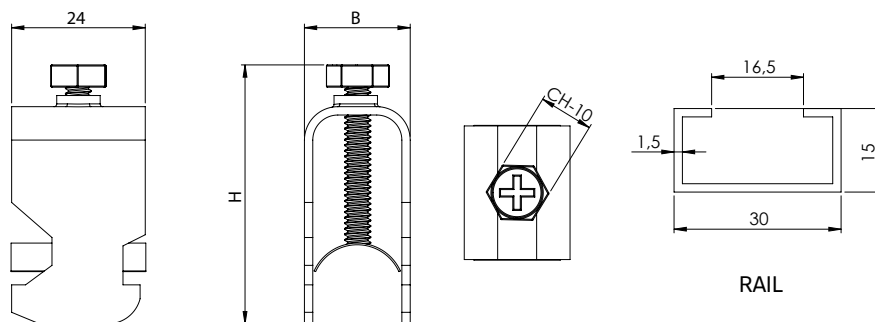
**Material:** zinc plated steel



Model	Code	Clamping range (mm)	Dimensions (mm)		Pcs (/pack)
			B	H	
MST 6-12	1734040512	6 - 12	21	70	10
MST 12-18	1734040518	12 - 18	23	70	
MST 18-22	1734040522	18 - 22	27	70	
MST 22-30	1734040530	22 - 30	39	85	
MST 30-38	1734040538	30 - 38	45	90	
MST 38-42	1734040542	38 - 42	47	95	



### Dimensions (mm)





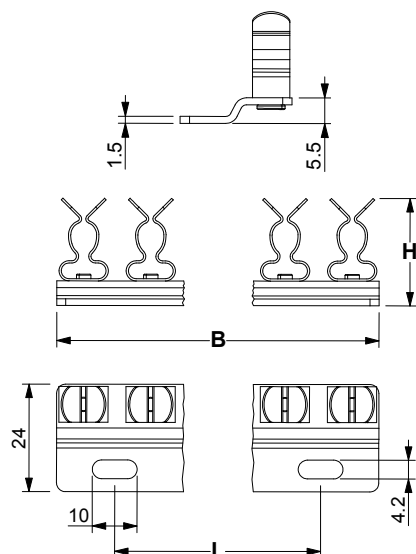
### FEATURES

- Suitable for a cable diameter range from 1,5 to 12 mm
- Snap-in assembly, no need to use tools
- Constant pressure on the cable braid without having to run tests and checks
- Saving installation time and money

The multiple EMC shielding clamps speed up installation and reduce the space needed instead of using a multitude of single clamps. The base of the clips is fixed with two M4 screws. Custom solutions are welcome.

**Material:** SS304 stainless steel (base), spring steel, zinc plated (clips)

### Dimensions (mm)



Model	Code	Nr. Cables	Clamping range (mm)	Dimensions (mm)			Pcs (/pack)
				B	L	H	
MSU 3x 1,5-3	1734030310	3	1,5 - 3	46	30	19,1	1
MSU 3x 3-6	1734030320	3	3 - 6	46	30	21,6	
MSU 3x 7-9	1734030330	3	7 - 9	46	30	24,0	
MSU 3x 9-12	1734030340	3	9 - 12	46	30	27,2	
MSU 4x 1,5-3	1734030410	4	1,5 - 3	61	30	19,1	
MSU 4x 3-6	1734030420	4	3 - 6	61	30	21,6	
MSU 4x 7-9	1734030430	4	7 - 9	61	30	24,0	
MSU 4x 9-12	1734030440	4	9 - 12	61	30	27,2	
MSU 5x 1,5-3	1734030510	5	1,5 - 3	72	46	19,1	
MSU 5x 3-6	1734030520	5	3 - 6	72	46	21,6	
MSU 5x 7-9	1734030530	5	7 - 9	72	46	24,0	
MSU 5x 9-12	1734030540	5	9 - 12	72	46	27,2	
MSU 6x 1,5-3	1734030610	6	1,5 - 3	88	62	19,1	
MSU 6x 3-6	1734030620	6	3 - 6	88	62	21,6	
MSU 6x 7-9	1734030630	6	7 - 9	88	62	24,0	
MSU 6x 9-12	1734030640	6	9 - 12	88	62	27,2	
MSU 7x 1,5-3	1734030710	7	1,5 - 3	104	78	19,1	
MSU 7x 3-6	1734030720	7	3 - 6	104	78	21,6	
MSU 7x 7-9	1734030730	7	7 - 9	104	78	24,0	
MSU 7x 9-12	1734030740	7	9 - 12	104	78	27,2	
MSU 8x 1,5-3	1734030810	8	1,5 - 3	120	94	19,1	
MSU 8x 3-6	1734030820	8	3 - 6	120	94	21,6	
MSU 8x 7-9	1734030830	8	7 - 9	120	94	24,0	
MSU 8x 9-12	1734030840	8	9 - 12	120	94	27,2	
MSU 9x 1,5-3	1734030910	9	1,5 - 3	140	116	19,1	
MSU 9x 3-6	1734030920	9	3 - 6	140	116	21,6	
MSU 9x 7-9	1734030930	9	7 - 9	140	116	24,0	
MSU 9x 9-12	1734030940	9	9 - 12	140	116	27,2	
MSU 10x 1,5-3	1734031010	10	1,5 - 3	150	126	19,1	
MSU 10x 3-6	1734031020	10	3 - 6	150	126	21,6	
MSU 10x 7-9	1734031030	10	7 - 9	150	126	24,0	
MSU 10x 9-12	1734031040	10	9 - 12	150	126	27,2	
MSU 11x 1,5-3	1734031110	11	1,5 - 3	166	140	19,1	
MSU 11x 3-6	1734031120	11	3 - 6	166	140	21,6	
MSU 11x 7-9	1734031130	11	7 - 9	166	140	24,0	
MSU 11x 9-12	1734031140	11	9 - 12	166	140	27,2	
MSU 12x 1,5-3	1734031210	12	1,5 - 3	172	156	19,1	
MSU 12x 3-6	1734031220	12	3 - 6	172	156	21,6	
MSU 12x 7-9	1734031230	12	7 - 9	172	156	24,0	
MSU 12x 9-12	1734031240	12	9 - 12	172	156	27,2	

1



### FEATURES

- Suitable for a cable diameter range from 2 to 32 mm
- MSFD: version with base for TH35 DIN rail
- Constant pressure on the cable braid without having to run tests and checks

The MSF/MSFD shielding clamps enable the cable shield to be grounded easily and effectively. They secure the strain relief function thanks to the spring which maintains constant pressure on the cable braid.

**Material:** steel with electrolytic nickel plating

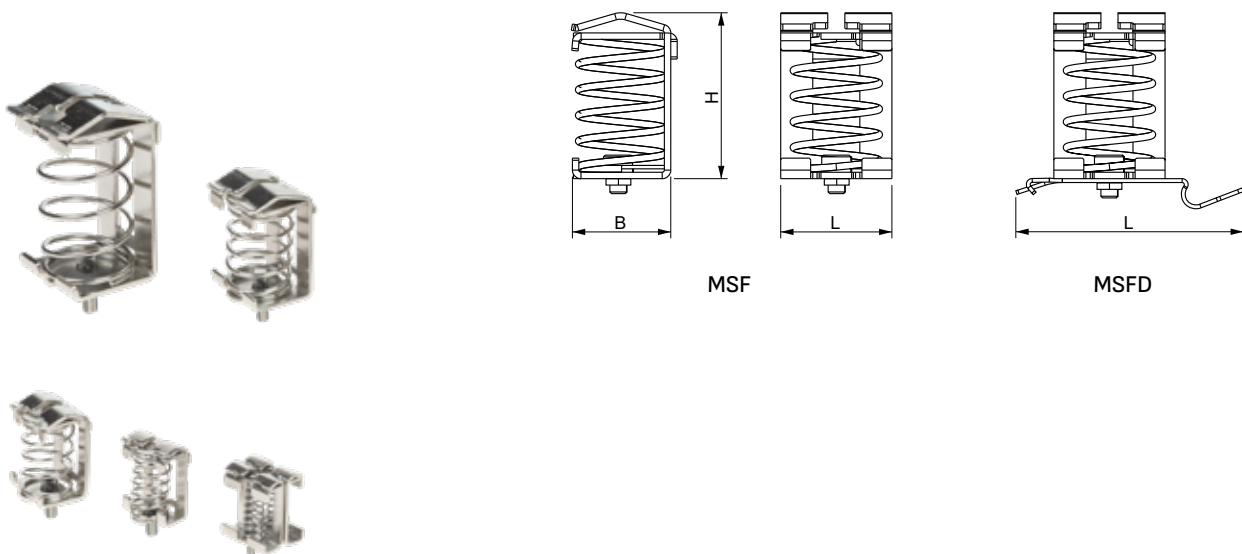


MSF

MSFD

Model	Code	Clamping range (mm)	Dimensions (mm)			Pcs (/pack)
			H	L	B	
MSF 2x2-6	1734020300	2x 2 - 6	23,1	18	16	10
MSF 3-8	1734020305	3 - 8	25,5	18,0	11,0	
MSFD 3-8	1734020310	3 - 8	26,0	50,0	14,5	
MSF 4-13,5	1734020315	4 - 13,5	30,0	18,0	15,0	
MSFD 4-13,5	1734020320	4 - 13,5	30,0	50,5	20,5	
MSF 10-20	1734020325	10 - 20	40,0	26,0	25,0	
MSFD 10-20	1734020330	10 - 20	40,0	50,5	25,0	
MSF 15-32	1734020335	15 - 32	64,0	32,0	36,0	
MSFD 15-32	1734020340	15 - 32	64,0	50,5	34,5	

### Dimensions (mm)



MSF

MSFD



# MSFC / MSFE

## Spring shielding clamps

### FEATURES

- Suitable for a cable diameter range from 2 to 32 mm
- MSFC: version with base for 3X10 rail
- MSFE: version with base for C 30 rail
- Constant pressure on the cable braid without having to run tests and checks

The MSFC/MSFE shielding clamps enable the cable shield to be grounded easily and effectively. They secure the strain relief function thanks to the spring which maintains constant pressure on the cable braid.

**Material:** steel with electrolytic nickel plating



MSFC

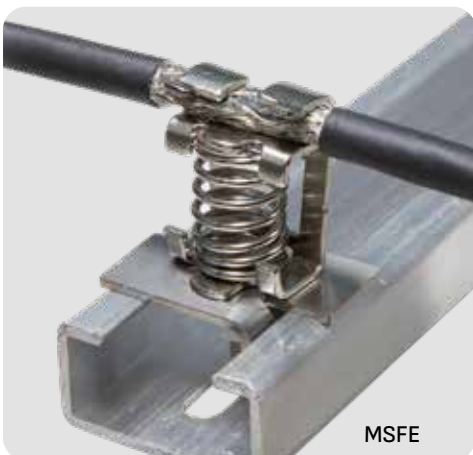


MSFE

Model	Code	Clamping range (mm)	Dimensions (mm)			Pcs (/pack)
			H	L	B	
MSFC 2x2-6	1734040705	2x 2 - 6	24	15	18	10
MSFC 3-8	1734040710	3 - 8	26	13	18	
MSFC 4-13,5	1734040715	4 - 13,5	31,5	20	20,5	
MSFC 10-20	1734040720	10 - 20	40	25	26	
MSFC 15-32	1734040725	15 - 32	63,9	36	32	
MSFE 3-8	1734040810	3 - 8	26	10,3	18	
MSFE 4-13,5	1734040815	4 - 13,5	31,1	18,1	20,2	
MSFE 10-20	1734040820	10 - 20	39,5	23,5	26,1	
MSFE 15-32	1734040825	15 - 32	62,5	36	32,1	

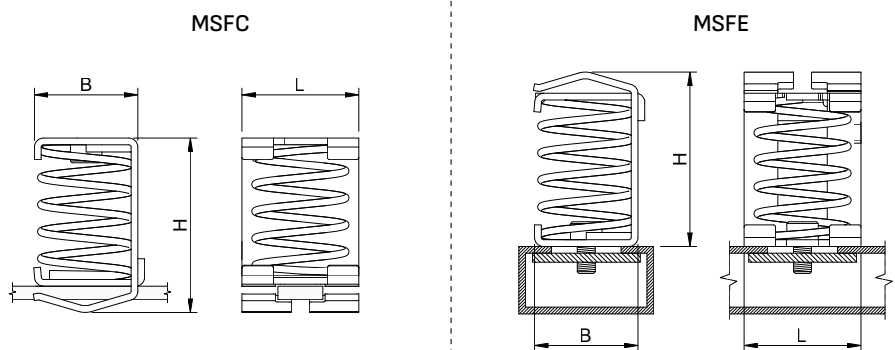


MSFC



MSFE

### Dimensions (mm)





## Shielding clamps for PCB

### FEATURES

- Suitable for a cable diameter range from 1,5 to 9 mm
- Direct mounting on PCB
- Constant pressure on the cable braid without having to run tests and checks

The MSC shielding clamps enable the cable shield to be grounded easily and effectively. The MSC shielding clamps are fixed and soldered directly on the PCB.

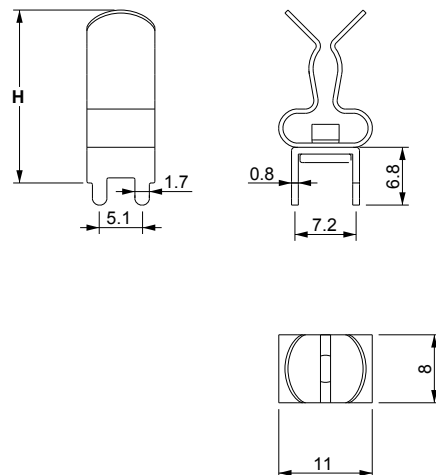
**Material:** spring steel, zinc plated, base in tinned brass



Model	Code	Clamping range (mm)	Clamp dimensions H (mm)	Pz (x conf.)
MSC 1.5-3	1734060001	1,5 - 3	18	50
MSC 3-6	1734060003	3 - 6	20,5	
MSC 7-9	1734060006	7 - 9	23	



### Dimensions (mm)





# EMC AP

## EMC module for AP series

### FEATURES

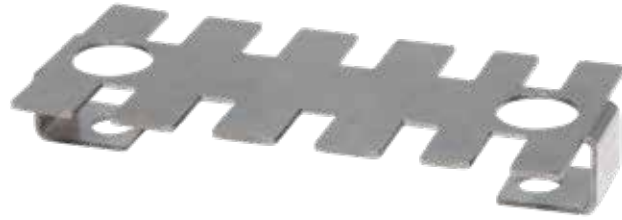
- Cable shielding capability
- Strain relief according to EN 62444
- Easy to install
- Cost-effective solution

The EMC AP modules are used in electrical cabinets to organize cables and ground cable shields via the integrated metal plate. Cables can be secured using standard plastic ties or reusable Velcro® ties.

**Material:** Stainless steel SS 304

### RELATED PRODUCTS

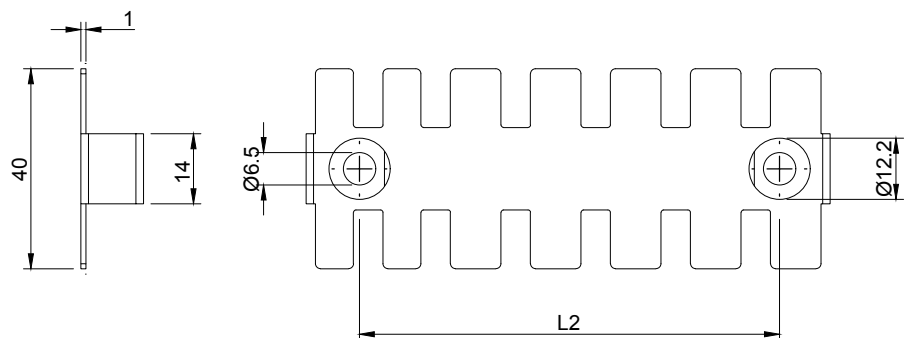
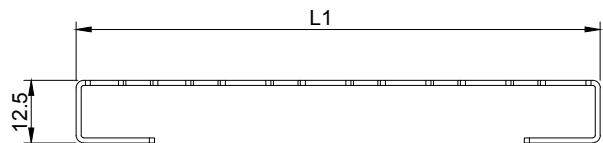
- AP Series (from page 122)
- FV cable ties (page 131)



Model	Code	Dimensions (mm)		Teeth	Pcs (/pack)
		L1	L2		
EMC AP-39	1739020013	40,8	19,5	3	10
EMC AP-60	1739020014	62,4	43,5	4	
EMC AP-70	1739020015	72	43,5	5	
NEW EMC AP-87	1739020016	88,8	68	6	
EMC AP-103	1739020017	104,8	84	7	
EMC AP-121	1739020018	123,91	102,5	8	
EMC AP-140	1739020019	142,4	121	9	
EMC AP-180	1739020110	182,9	157	12	

AP strain relief module and cable ties are sold separately

### Dimensions (mm)





### FEATURES

- Direct installation on DES frames
- Effective grounding of the cable shield with integrated strain relief using busbar clamps
- Quick installation



The brackets of the EMCS series can be installed on the DES, DES M, DES CLiCK frames for shielding the cables using the MSB, MSR, MSRP, MSBS or MSH clips.

**Material:** Stainless steel SS 304

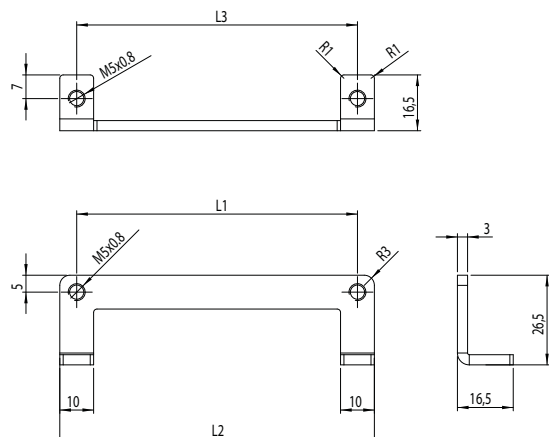
### RELATED PRODUCTS

- DES Q
- DES 10
- DES 16
- DES 24
- DES 16M
- DES 24M
- DES L series
- DES LC series
- DES Q CLICK
- DES 10 CLICK
- DES 16 CLICK
- DES 24 CLICK

Model	Code	Dimensions (mm)			Pcs (/pack)
		L1	L2	L3	
EMCS24	1734090124	130	140	130	1
EMCS16	1734090116	103	113	103	
EMCS10	1734090110	83	93	83	
EMCSQ	1734090108	58	68	58	



### Dimensions (mm)





### FEATURES

- Stainless steel bracket for the grounding of the cable shield
- Quick installation on OSF/DESCCLICK/DESPRED divisible cable glands
- Cable strain relief with cable tie

BROSF brackets are used to ground and guarantee strain relief of shielded cables used with OSF series.

Four models are available for the corresponding metric openings M16, M20, M25, and M32 each with two models of shielding clamps from 1.5 to 6 mm. Brackets for other diameters can be provided on request.

**Material:** Stainless steel SS304

### RELATED PRODUCTS

- OSF
- OSF 90
- DESCCLICK
- DESPRED

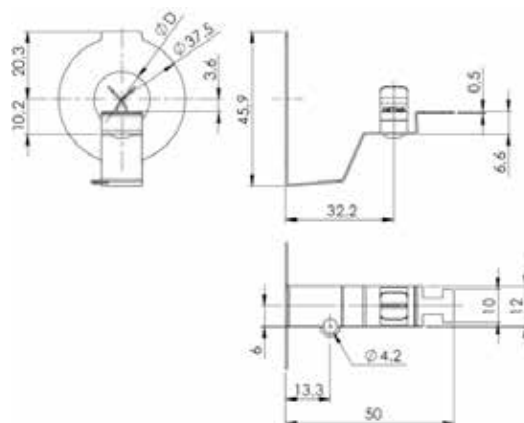
Splittable cable gland and cable ties sold separately.



Model	Code	Clamping range (mm)	Ø D (mm)	Pcs (/pack)
<b>BROSF 16-1,5-3</b>	1734052316	1,5 - 3	16,5	10
<b>BROSF 16-3-6</b>	1734052317	3 - 6	16,5	
<b>BROSF 20-1,5-3</b>	1734052320	1,5 - 3	20,5	
<b>BROSF 20-3-6</b>	1734052321	3 - 6	20,5	
<b>BROSF 25-1,5-3</b>	1734052325	1,5 - 3	25,5	
<b>BROSF 25-3-6</b>	1734052326	3 - 6	25,5	
<b>BROSF 32 -1,5-3</b>	1734052332	1,5 - 3	32,5	
<b>BROSF 32-3-6</b>	1734052333	3 - 6	32,5	

Other models upon request

### Dimensions (mm)





### FEATURES

- Direct installation on DES frames or plates
- Effective grounding of the cable shield with integrated strain relief
- Quick installation

The brackets of the EMCZ series can be installed on all DES and DES PDM 24, 16, 10 and Q models. With the same device, it is possible to ground the cable shield and achieve the strain relief function with cable ties.

**Material:** Stainless steel SS304

### RELATED PRODUCTS

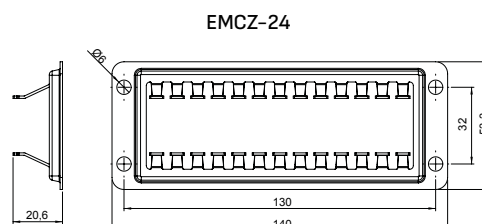
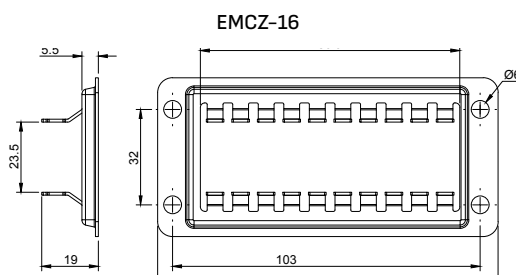
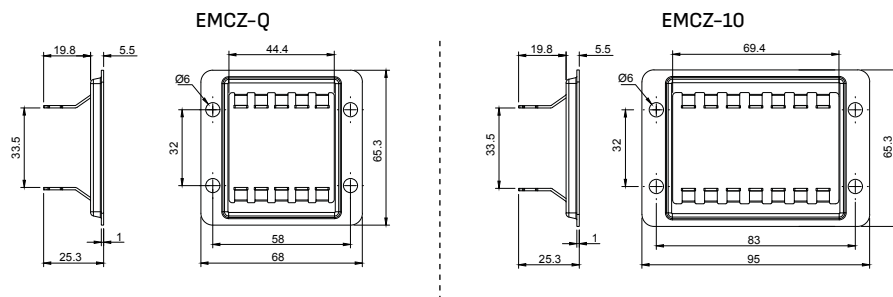
- DES 24
- DES 24 CLICK
- DES 24M
- DES PDM 24
- DES 10
- DES PDM 10
- DES CLICK 10
- DES Q
- DES Q CLICK
- DES PDM Q
- DES 16
- DES 16 CLICK
- DES LC16
- DES LC24
- DES LCQ

Cable ties are sold separately



Model	Code	Pcs (/pack)
EMCZ-24	1734090134	1
EMCZ-16	1734090133	
EMCZ-10	1734090132	
EMCZ-Q	1734090130	

### Dimensions (mm)





# EMCZ M

## EMC and strain relief brackets for splittable cable glands and DES PDM M

### FEATURES

- Direct installation on the threaded body
- Effective grounding of the cable shield with integrated strain relief
- Quick installation

The brackets of the EMCZ M series can be installed on DESPRED 63, DES PDM M40, DES PDM M50 and DES PDM M63. With the same device, it is possible to ground the cable shielding and achieve the strain relief function with cable ties.

**Material:** Cold-rolled low carbon steel

### RELATED PRODUCTS

- DES PDM M
- DESPRED
- OSF
- DESCLICK

Cable ties are sold separately

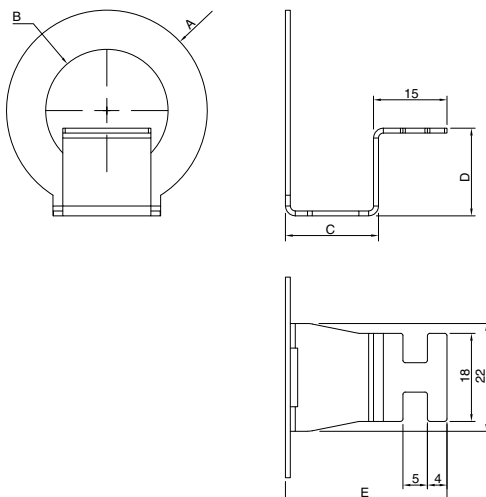


Model	Code	M	Dimensions (mm)					Pcs (/pack)
			A	B	C	D	E	
EMCZ-M20	1734090120	20	R14	Ø20	17	10,5	31	1
EMCZ-M25	1734090125	25	R20,5	Ø25	19	17,9	33	
EMCZ-M32B	1734090127	32	R23	Ø32	22	15,9	36	
EMCZ-M32G	1734090126	32	46	49,4	35,7	21	9,5	
EMCZ-M40	1734090140	40	49	55,7	41,6	24,4	9,5	
EMCZ-M50	1734090150	50	60	66	52	25,2	8	
EMCZ-M63	1734090163	63	75	83	65	28,6	8	

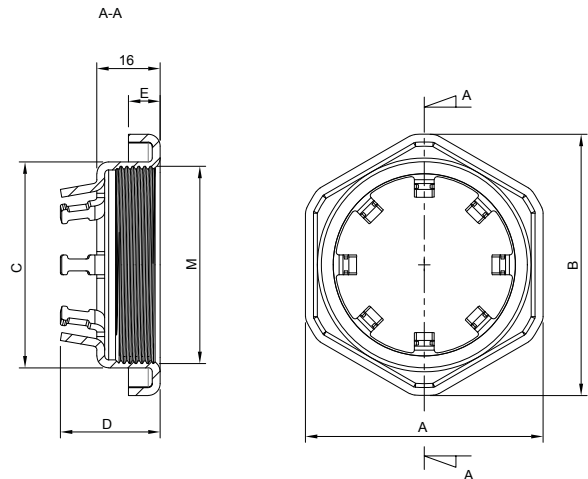


### Dimensions (mm)

EMCZ-M20 / EMCZ-M25 / EMCZ-M32B



EMCZ-M32G / EMCZ-M40 / EMCZ-M50 / EMCZ-M63





## 35 mm DIN RAIL bases

### FEATURES

- Steel DIN Rail bases
- Quick installation with rivets
- Strong and secure fixing

The MB DIN rail bases are used for quick installation of any kind of device on the TS35 DIN rail and on C 30 rail.

**Material:** spring steel, zinc plated

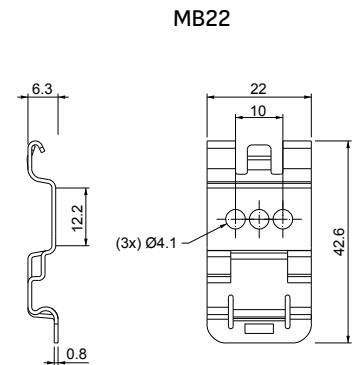
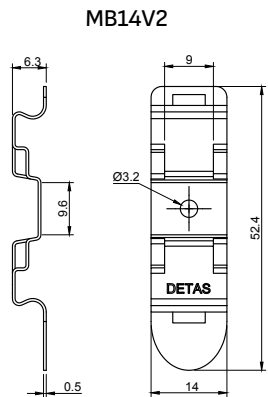
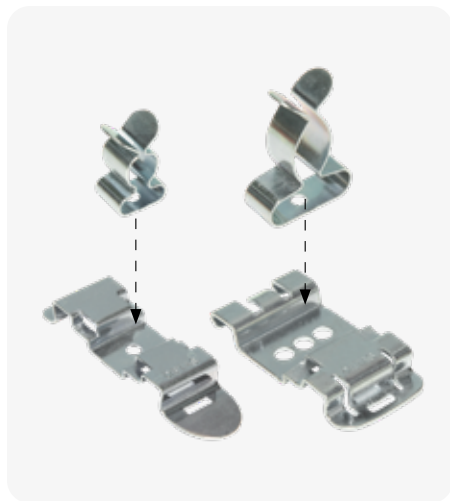
### RELATED PRODUCTS

- MSS shield clamps
- MSS2 shield clamps
- MSL shield clamps
- MSS3 shield clamps
- MSA shield clamps family

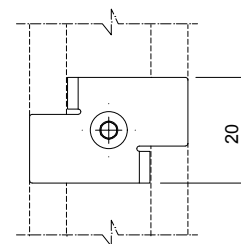
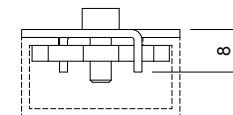
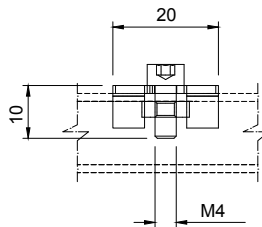


Model	Code	Pcs (/pack)
MB14V2	1734000151	50
MB22	1734000100	
<b>NEW</b> MBC	1734000110	

### Dimensions (mm)



### MBC





# ENGINEERING BOX EMC

## Shielding clamp samples box

### FEATURES

- 163 shielding clamps
- Wide choice of DetasUltra clamps
- Price savings compared to separate purchase of each part

Practical box containing 163 shielding clamps with various dimensions and fixing methods.

Thanks to the wide choice it is possible to select the most suitable model for the specific application.



Model	Code	Dimensions (mm)	Pcs (/pack)
ENGINEERING BOX EMC	1734090100	370 x 300 x 90	1

### Box content

Model	Pcs	Model	Pcs	Model	Pcs
MB14V2	10	MSS 38-48	4	MSBL 3-9	10
MB22	10	MSD 22-30	3	MSBL 10-19	10
MSL 3-9	20	MSD 30-37	3	MSAL 3-9	10
MSL 10-19	20	MSD 38-48	3	MSAL 10-19	10
MSS 22-30	5	MSD2L 3-9	10	MSEL 3-9	10
MSS 30-37	5	MSD2L 10-19	10	MSEL 10-19	10



## Earthing braids



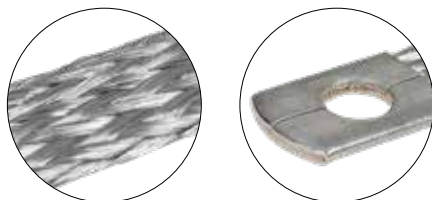
### FEATURES

- Sections from 6 to 25 mm<sup>2</sup>
- Custom solutions available
- Sections up to 95 mm<sup>2</sup> on request
- Rounded terminals

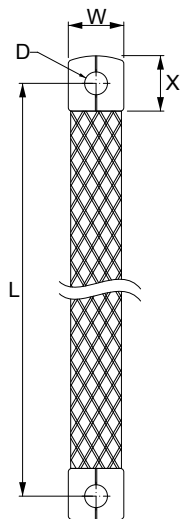
The CTX flexible earthing braids are made of tinned copper.

Pure Cu-ETP - ASTM C11000 copper enables an excellent ground connection.

**Material:** tinned copper >99,95%



### Dimensions (mm)



Model	Code	Section (mm <sup>2</sup> )	Dimensions (mm)			
			L	W	X	D
CTX-6/200/M6	1734080010	6	200	11	13	7
CTX-6/250/M6	1734080015	6	250	11	13	7
CTX-6/300/M6	1734080020	6	300	11	13	7
CTX-6/400/M6	1734080025	6	400	11	13	7
CTX-6/500/M6	1734080030	6	500	11	13	7
CTX-10/100/M6	1734080035	10	100	17	23	7
CTX-10/100/M8	1734080040	10	100	17	23	9
CTX-10/150/M8	1734080045	10	150	17	23	9
CTX-10/200/M6	1734080050	10	200	17	23	7
CTX-10/200/M8	1734080055	10	200	17	23	9
CTX-10/250/M6	1734080060	10	250	17	23	7
CTX-10/300/M6	1734080065	10	300	17	23	7
CTX-10/300/M8	1734080070	10	300	17	23	9
CTX-10/400/M6	1734080075	10	400	17	23	7
CTX-10/400/M8	1734080080	10	400	17	23	9
CTX-10/500/M6	1734080085	10	500	17	23	7
CTX-16/100/M6	1734080090	16	100	17	23	7
CTX-16/100/M8	1734080095	16	100	17	23	9
CTX-16/150/M6	1734080100	16	150	17	23	7
CTX-16/150/M8	1734080105	16	150	17	23	9
CTX-16/200/M6	1734080110	16	200	17	23	7
CTX-16/200/M8	1734080115	16	200	17	23	9
CTX-16/250/M8	1734080120	16	250	17	23	9
CTX-16/300/M6	1734080125	16	300	17	23	7
CTX-16/300/M8	1734080130	16	300	17	23	9
CTX-16/350/M8	1734080135	16	350	17	23	9
CTX-16/400/M8	1734080140	16	400	17	23	9
CTX-16/500/M8	1734080145	16	500	17	23	9
CTX-16/600/M8	1734080150	16	600	17	23	9
CTX-25/100/M10	1734080155	25	100	23	23	11
CTX-25/150/M10	1734080160	25	150	23	23	11
CTX-25/200/M8	1734080165	25	200	23	23	9
CTX-25/200/M10	1734080170	25	200	23	23	11
CTX-25/250/M8	1734080175	25	250	23	23	9
CTX-25/300/M8	1734080180	25	300	23	23	9
CTX-25/300/M10	1734080185	25	300	23	23	11
CTX-25/350/M10	1734080190	25	350	23	23	11
CTX-25/400/M8	1734080195	25	400	23	23	9
CTX-25/500/M8	1734080200	25	500	23	23	9
CTX-25/600/M8	1734080205	25	600	23	23	9



### FEATURES

- Multiple configurations with small and large grommets
- Large conductive area in contact with the cable (21 mm)
- Excellent cable grip thanks to the multi-range grommets
- Frame screws in AISI304 Stainless Steel
- Sturdy construction IK10
- High levels of EMI shielding
- Anti-static protection
- Threaded inserts version on request

The DES EMC splittable frames are used when it is necessary to ground shielded cables in fast and efficient way. The frames are treated with a special conductive copper paint coated in silver while the grommets are produced with TPE with added conductive material. Thanks to the mechanical connection to the panel made by the fixing screws, the cable braid is efficiently grounded without generating further disturbances often created by the external metal brackets that become antennas.

**Material:** PP+GF with Silver coated copper conductive coating, halogen-free, silicone-free

**Flammability:** self-extinguishing acc. UL94-V0

**Temperature:** -40°C... +100°C (static)

### RELATED PRODUCTS

- SPG EMC grommets (pag 173)
- SPP EMC grommets (pag 173)
- DES Cover (page 36)
- HY360 hydraulic punch driver (page 179)
- PF cable entry system plates (page 181)

up to  
**IP66**

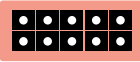
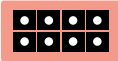
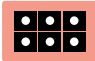
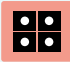




**NEMA 12**

**UL94-V0**



**IK10**



Model	Code	Dimensions (mm)	Max. cut-out (mm)	Pcs (/pack)
DES 24 EMC	1734014024	 146 x 61	112 x 36	10
DES 16 EMC	1734014016	 120 x 61	86 x 36	
DES 10 EMC	1734014010	 99 x 61	65 x 36	
DES Q EMC	1734014008	 74 x 61	40 x 36	
DES L2 EMC	1734014002	 74 x 41	40 x 18	
DES L3 EMC	1734014003	 99 x 41	63 x 18	
DES L4 EMC	1734014004	 120 x 41	86 x 18	
DES L5 EMC	1734014005	 146 x 41	112 x 18	

DetasUltra cable entry systems incorporate an advanced EMC feature designed to improve electromagnetic compatibility in industrial wiring. Through the use of **conductive rubber** and direct contact with the cable shield and ground plane, these systems effectively contribute to the **reduction of high-frequency noise**. By utilizing conductive rubber and ensuring direct contact between the cable shield and the grounding plane, these systems effectively suppress high-frequency noise, contributing to improved overall EMC performance.

**INDEPENDENT THIRD-PARTY TESTING**– The EMC performance of the DetasUltra grommets was verified at the **Electromagnetic Compatibility Laboratory (EMCLab)** of a Third Party Entity. The tests measured: **RF noise attenuation** (10 kHz – 1 GHz) and **impedance to ground**.

**KEY FINDINGS** – **Impedance** improves significantly above a few MHz, reaching values of a few ohms or tenths of ohms; **attenuation** is limited in low frequencies (2-7 dB), but grows to **30 dB** in high frequencies. System performance is directly influenced by installation quality, confirming the critical role of correct installation procedures.

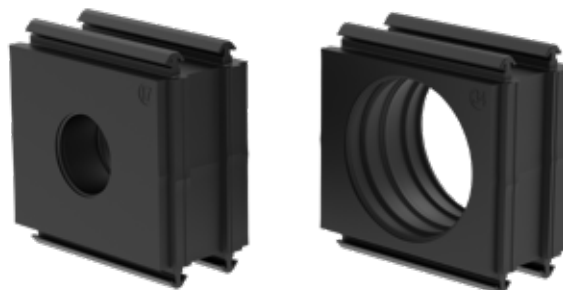
**BENEFITS** – Effective reduction of electromagnetic noise, high performance in complex industrial environments, compliance with strain relief standards according to **EN 62444**.



# SPP / SPG EMC



## EMI/EMC small and large grommets



### FEATURES

- Conductive grommets for cables from 2 to 35 mm diameter
- Single hole, multi-range, double and quadruple
- "Blind" version available
- UL94-HB
- Black color

The EMC grommets allow several shielded cables from 2 to 35 mm diameter to be routed in the DES EMC splittable frames.

The contact between the cable braid and the grommet is secured thanks to the grommet thickness.

The EMC grommets simplify the cable shielding application and conductive element adhesion.

**Material:** TPE with conductive element, halogen-free, silicone-free

**Flammability:** acc. UL94-HB

**Temperature:** -40°C... +100°C (static)

### RELATED PRODUCTS

- DES EMC

Model	Code	Ø Cable braid (mm)	Pcs (/pack)
-------	------	--------------------	-------------



SPP 0 EMC	1734024100	"Blind"	10
SPP 2 EMC	1734024102	2-3	
SPP R1 EMC	1734024140	3-6	
SPP R2 EMC	1734024142	6-9	
SPP R3 EMC	1734024144	9-12	
SPP R4 EMC	1734024146	12-15	
SPP 16 EMC	1734024116	16-17	



SPP 2x2 EMC	1734024304	2 x 2	10
SPP 2x3 EMC	1734024306	2 x 3	
SPP 2x4 EMC	1734024308	2 x 4	
SPP 2x5 EMC	1734024310	2 x 5	
SPP 2x6 EMC	1734024312	2 x 6	
SPP 2x7 EMC	1734024314	2 x 7	
SPP 2x8 EMC	1734024316	2 x 8	



SPP 4x2 EMC	1734024318	4 x 2	10
SPP 4x3 EMC	1734024320	4 x 3	
SPP 4x4 EMC	1734024322	4 x 4	
SPP 4x5 EMC	1734024324	4 x 5	
SPP 4x6 EMC	1734024326	4 x 6	

Model	Code	Ø Cable braid (mm)	Pcs (/pack)
-------	------	--------------------	-------------



SPG 0 EMC	1734024000	"Blind"	10
SPG 17 EMC	1734024117	17-18	
SPG 18 EMC	1734024118	18-19	
SPG 19 EMC	1734024119	19-20	
SPG 20 EMC	1734024120	20-21	
SPG 21 EMC	1734024121	21-22	
SPG 22 EMC	1734024122	22-23	
SPG 23 EMC	1734024123	23-24	
SPG 24 EMC	1734024124	24-25	
SPG 25 EMC	1734024125	25-26	
SPG 26 EMC	1734024126	26-27	
SPG 27 EMC	1734024127	27-28	
SPG 28 EMC	1734024128	28-29	
SPG 29 EMC	1734024129	29-30	
SPG 30 EMC	1734024130	30-31	
SPG 31 EMC	1734024131	31-32	
SPG 32 EMC	1734024132	32-33	
SPG 33 EMC	1734024133	33-34	
SPG 34 EMC	1734024134	34-35	

up to  
**IP66**

NEMA  
**12**

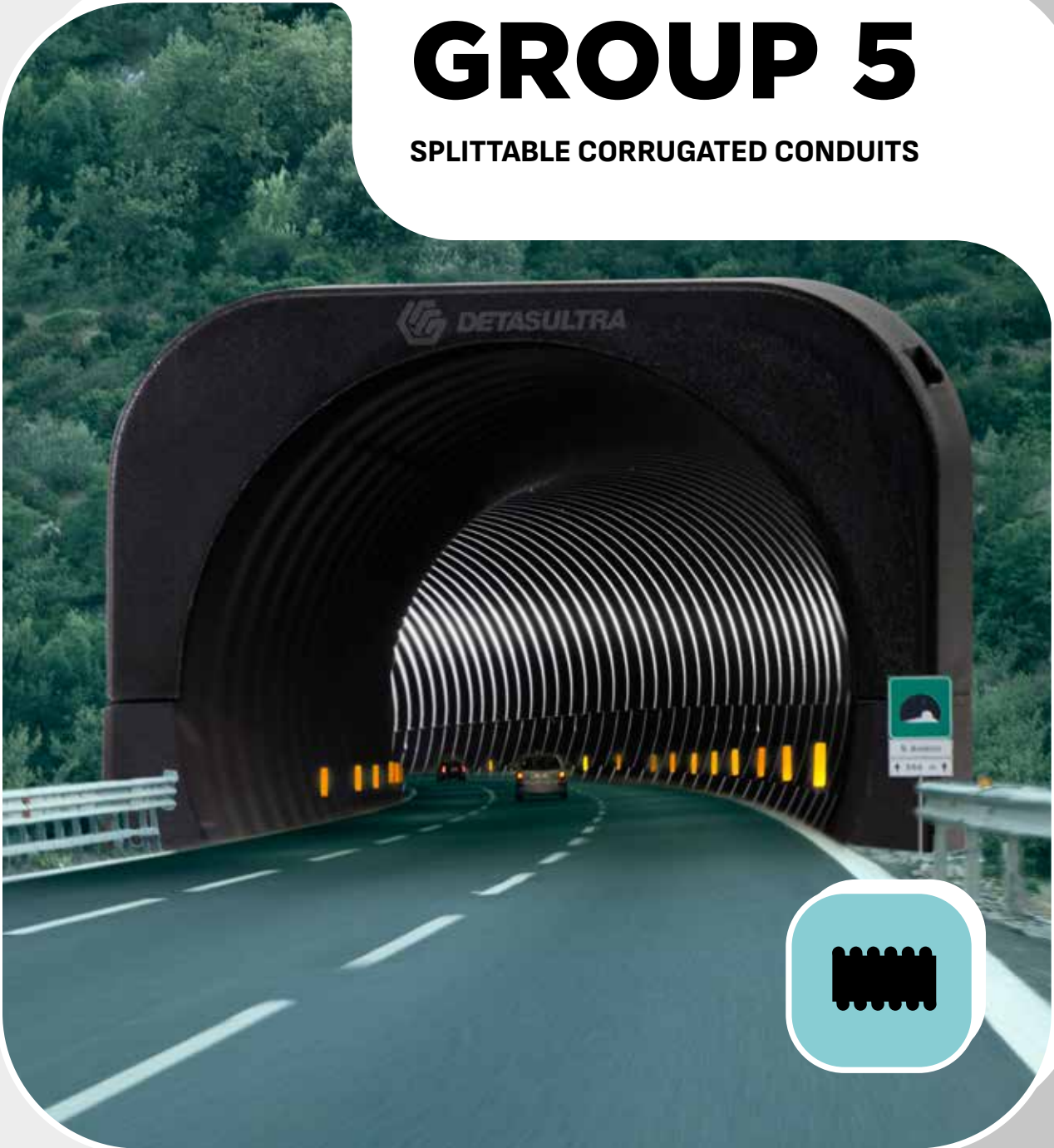
**UL94-HB**

**UV**  
ISO 4892-2A

**RoHS**  
COMPLIANT

# GROUP 5

SPLITTABLE CORRUGATED CONDUITS





## Splittable corrugated conduits

### FEATURES

- Splittable double conduits
- Suitable for cables with connectors
- Easy openable during maintenance procedure

The splittable corrugated conduits FL can be used for cables with and without connectors.

The double conduit allow maintenance operation or changes easily and saving times, especially with pre-terminated cables.



**Material:** PP, halogen-free, silicone-free

**Flammability:** self-extinguishing acc. UL94-V2

**Temperature:** -40°C... +110°C (static)

### RELATED PRODUCTS

- FW Holders for corrugated conduits (page 176)

Model	NW	Code	Dimensions (mm)		Clip compatible	Pcs (/pack)
			Ø ext.	Ø int.		
FL 6	NW6	1735010010	10	6,3	FW 6	Multiple of 5 m
FL 10	NW10	1735010014	13,5	8,8	FW 10	
FL 11	NW11	1735010016	16,1	11,5	FW 11	
FL 14	NW14	1735010020	18,7	13,2	FW 14	
FL 16	NW16	1735010022	21,9	16	FW 16	
FL 20	NW20	1735010026	26	19,8	FW 20	
FL 23	NW23	1735010032	31,3	23,7	FW 23	
FL 29	NW29	1735010035	35,5	27,3	FW 29	
FL 37	NW37	1735010042	41,4	31	FW 37	
FL 45	NW45	1735010054	54,2	43,1	FW 45	





### FEATURES

- Easy installation, tool free
- V2 Self-extinguishing

The FW holders are use for the corrugated conduits fixing.

They can be used with or without cover which ensures more stability to the conduit in case of curves or vibrations.

**Material:** PA, halogen-free, silicone-free

**Flammability:** self-extinguishing  
acc. UL94-V2

**Temperature:** -40°C... +110°C (static)

### RELATED PRODUCTS

- FL Splittable corrugated conduits

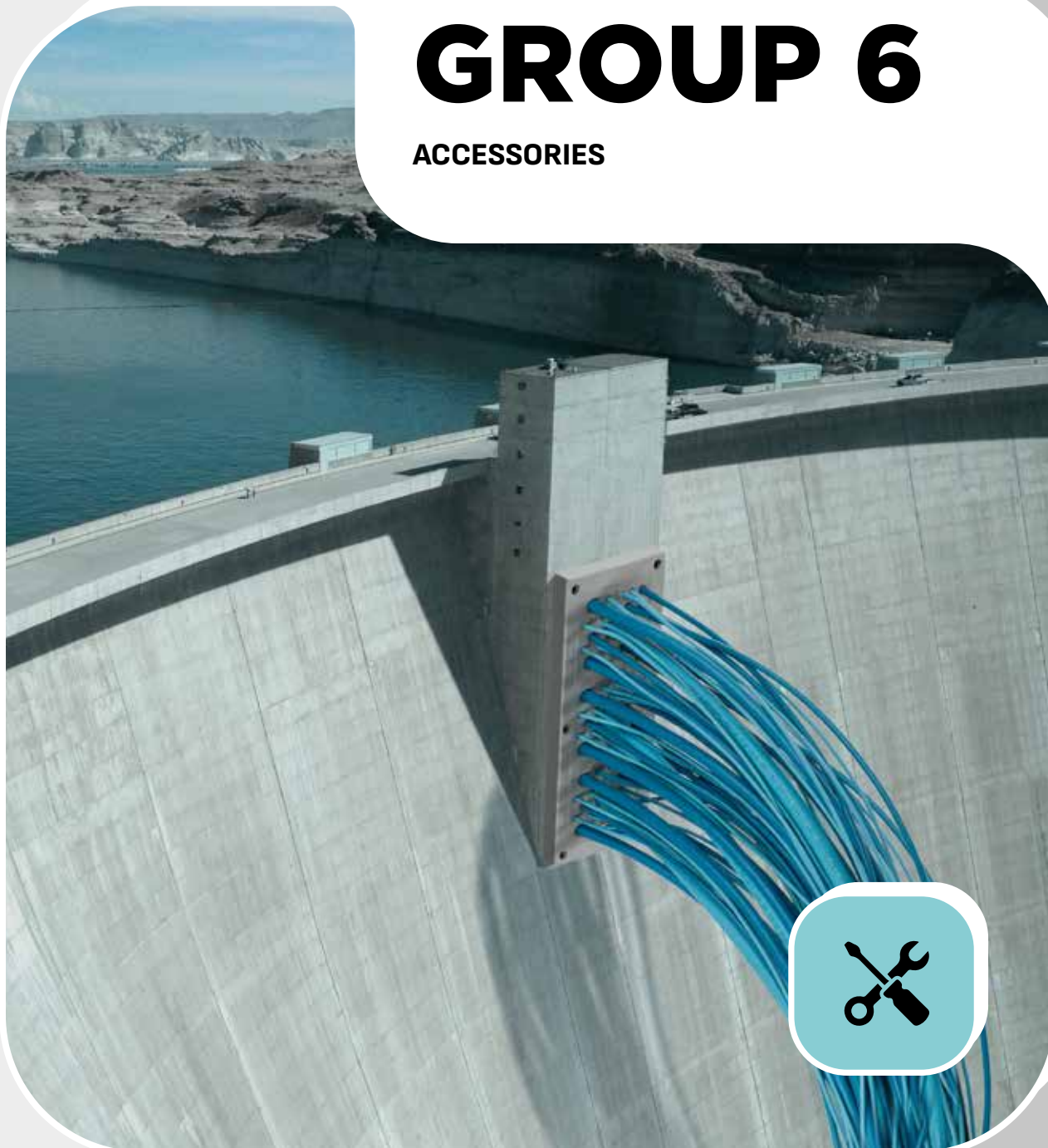


Model	Code	Ø (mm)	Pcs (/pack)
FW 6	1735030010	10	10
FW 10	1735030013	13	
FW 11	1735030015	15,8	
FW 14	1735030018	18,5	
FW 16	1735030021	21,2	
FW 20	1735030025	25	
FW 23	1735030028	28,8	
FW 29	1735030034	34,5	
FW 37	1735030042	42,5	
FW 45	1735030054	54,5	



# GROUP 6

ACCESSORIES





### FEATURES

- Intumescent gaskets for fire barrier
- In compliance with EN 1363-1 and EN 45545-3
- **Direct installation on DES Frames**
- Available separately from the frames

GKD intumescent gaskets series are used with DES, DES 24M frames to provide fire protection barrier according to EN 1363-1 and EN 45545-3.

They are made of a flexible, intumescent material that expands under pressure with thermal influence. In the event of a fire, the gasket becomes a solid foam which creates a pressure resistant wall.

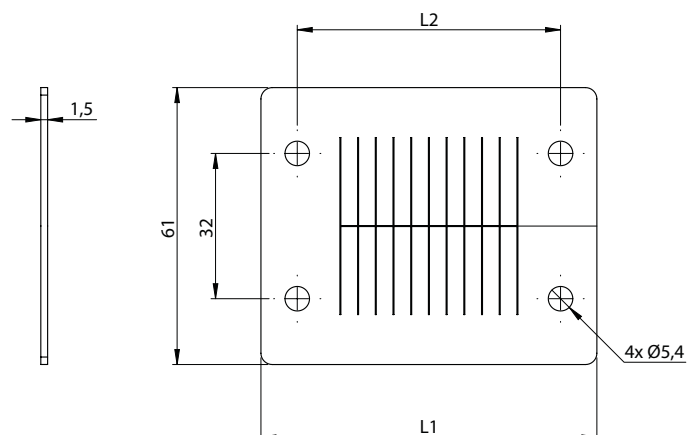
**Material:** graphite-based intumescent material



Model	Code	Dimensions (mm)		Pcs (/pack)
		L1	L2	
GKD-24	1734080824	146	130	1
GKD-16	1734080816	120	103	
GKD-10	1734080810	99	33	
GKD-6	1734080806	87	55	
GKD L4	1734080804	120	41	
GKD-Q	1734080808	74	58	



### Dimensions (mm)





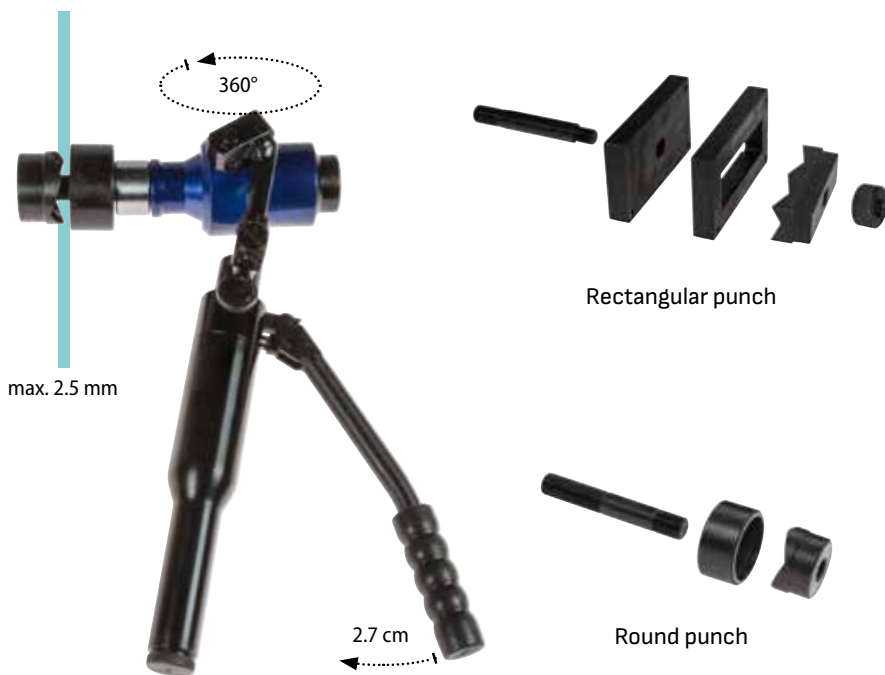
### FEATURES

- Hand punch driver with rotating 360° head
- Thanks to its low weight, the punch driver can be used by one person only
- The punch driver produces a hydraulic power of 120 kN and can be used for stainless steel walls with a maximum thickness of 1,5 mm (2,5 mm for other materials)
- All the available punches are compatible with our products

**Material:** Aluminum alloy, steel punches

**Hydraulic power:** 120 kN

**Weight:** 2,5 kg



Model	Description	Code	Dimensions (mm)	Pcs (/pack)
HY360	Hydraulic punch driver HY360	1736010100		1
PNZ 24	Rectangular punch for DES 24 / DES PM 24 / DES PDM 24	1736010023	112 x 36	
PNZ 16	Rectangular punch for DES 16	1736010016	86 x 39	
PNZ 10	Rectangular punch for DES 10	1736010010	63 x 39	
PNZ 08	Rectangular punch for DES Q	1736010008	40 x 39	
PNZ 02	Rectangular punch for DES L2	1736010002	40 x 22	
PNZ 03	Rectangular punch for DES L3	1736010003	63 x 22	
PNZ 04	Rectangular punch for DES L4	1736010004	86 x 22	
PNZ 05	Rectangular punch for DES L5	1736010005	108 x 22	
PNZ 108	Rectangular punch for DES PDM Q	1736010108	46 x 46	
PNZ 22	Round punch M22	1736010022	Ø 22.5	
PNZ 25	Round punch M25	1736010025	Ø 25.5	
PNZ 32	Round punch M32	1736010032	Ø 32.5	
PNZ 40	Round punch M40	1736010040	Ø 40.5	
PNZ 50	Round punch M50	1736010050	Ø 50.5	
PNZ 63	Round punch M63	1736010063	Ø 63.5	



# TG 114

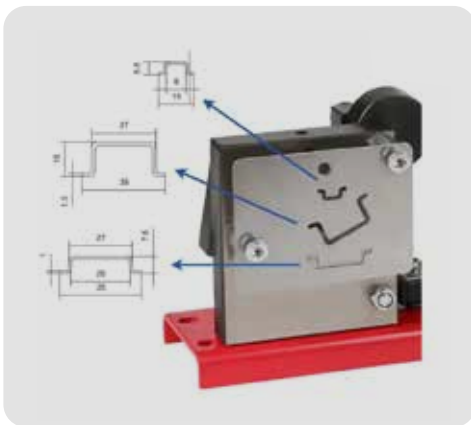
## Din rail cutter

### FEATURES

- Cut 3 different types of rail
- No deburring necessary, clean cuts
- Fast, accurate Cuts
- Integrated measuring gauge 50cm
- Cost effective

The TG114 is a cost-effective solution to quickly cut different models of DIN rails. It works with TH35, TH15. It includes a dimensional gauge for the accurate cutting of the rail.

**Material:** Painted zinc, plated steel



Model	Code	Dimensions (mm)	Pcs (/pack)
DIN Rail Cutter TG114	1736010105	670x120x150	1



## Cable entry system adapter plates

### FEATURES

- Compatible with Rittal AE cabinets
- Type 16 and 24 holes

The PF adapter plates are compatible with Rittal cabinets and are equipped with 24 and 16 poles heavy connectors opening. They are fixed with screws and can be provided according to the quantity of the frames that need to be installed in the cabinet.

**Material:** Painted zinc plated steel

### RELATED PRODUCTS

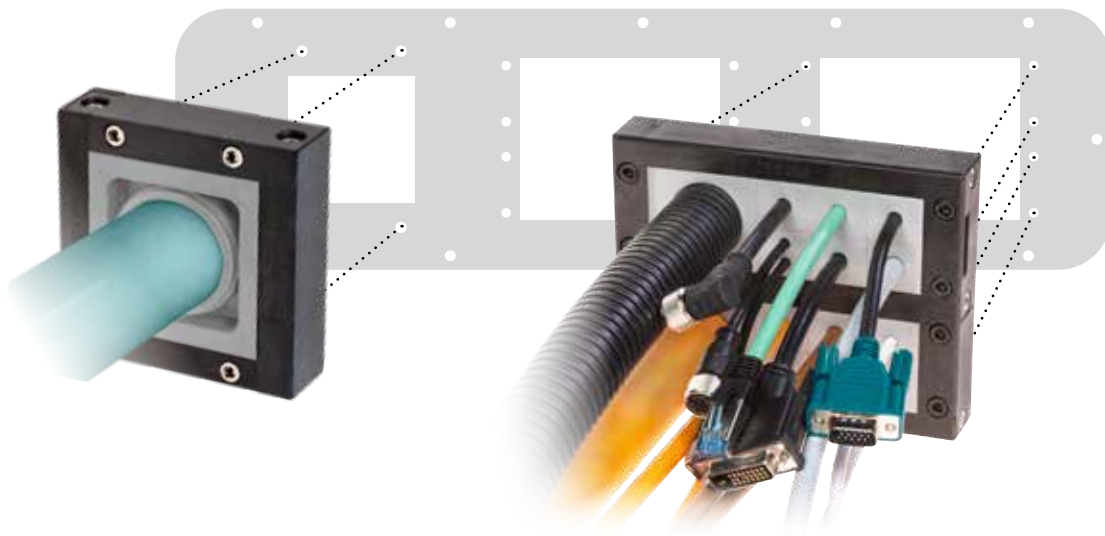
- DES 24
- DES 16
- DES PDM 24
- DES FLAP
- DES COVER
- DES Z
- DES ZZ



Model	Code	Dimensions (mm)	Appearance	Type	Pcs (/pack)
PF 2	1736020020	330 x 90 x 2,5		2 x 24	1
PF 3	1736020030	339 x 149 x 2,5		2 x 24	
PF 4	1736020040	339 x 149 x 2,5		4 x 24	
PF 5	1736020050	534 x 149 x 2,5		4 x 16	
PF 6	1736020060	534 x 149 x 2,5		3 x 24	
PF 7	1736020070	534 x 149 x 2,5		6 x 24	



## Cable entry system adapter plates



### FEATURES

- Compatible with Rittal AE cabinets
- Holes for DES 24MX and DES 380

The PFD cable entry system adapter plates are compatible with AE Rittal cabinets and can be equipped with DES 24MX and DES 380M splittable frames.

**Material:** Painted zinc plated steel

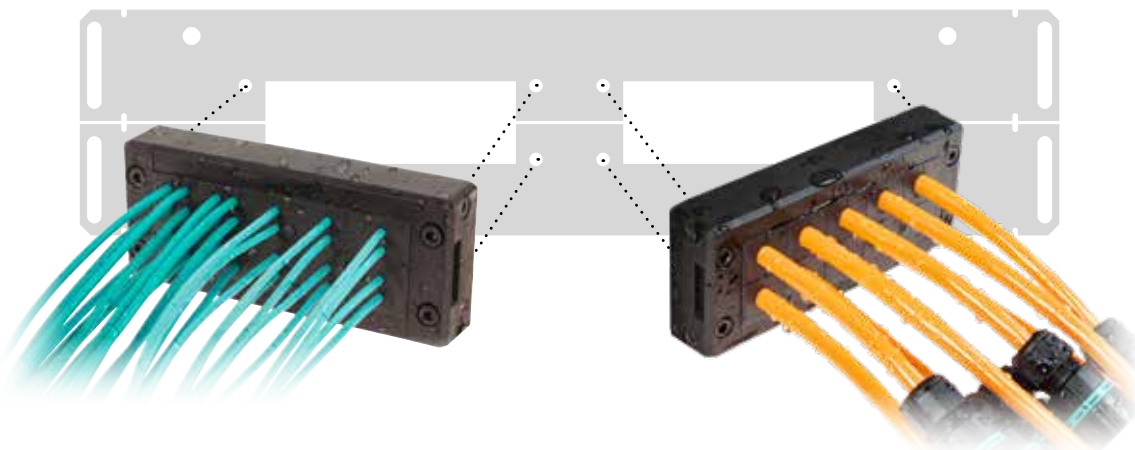
### RELATED PRODUCTS

- DES 24 MX2
- DES 380M
- DES 380MX3

Model	Code	Dimensions (mm)	Appearance	Type	Pcs (/pack)
PFD1	1736020080	339 x 149 x 2,5		2x DES 24MX2	1
PFD2	1736020090	339 x 149 x 2,5		1x DES 380M 1x DES 24MX2	
PFD3	1736020100	339 x 149 x 2,5		1x DES 380MX3	
PFD4	1736020110	534 x 149 x 2,5		3x DES 24MX2	
PFD5	1736020120	534 x 149 x 2,5		1x DES 380M 2x DES 24MX2	
PFD6	1736020130	534 x 149 x 2,5		1x DES 380MX3 1x DES 24MX2	



## Splittable cable entry adapter plates



### FEATURES

- Compatible with Rittal VX 25 cabinets
- Type 24 cut-out
- Threaded hole for quick mounting of cable entry systems

The PFX adapter plates are compatible with Rittal cabinets and are equipped with 24 holes connectors.

After they are placed on the bottom panel, the cable entry systems can be mounted thanks to the threaded holes.

The overmolded gasket on DES series guarantees faster installation times.

**Material:** Painted zinc plated steel

### RELATED PRODUCTS

- DES 24
- DES PDM 24
- DES FLAP 24
- DES COVER 24
- DES Z 24
- DES ZZ 24

Model	Code	Dimensions (mm)	Hole distance (mm)	Appearance	Pcs (/pack)
PFX-600	1736020600	488 x 150 x 1,5	475		1
PFX-800	1736020800	688 x 150 x 1,5	675		1
PFX-1000-2*	1736021000	876 x 150 x 1,5	425		2

\* for double door models.



### FEATURES

- Snap-in assembly
- Compatible with Rittal cabinets
- For metal sheets with thickness from 1 to 2 mm
- Customizations upon small quantity
- The brushes allow the routing of a high number of cables

The SQZ brushes are compatible with the main models of Rittal cabinets.

Cables can come out throughout the length of the bottom panel.

Easy snap-in assembly.

For metal sheets with thickness from 1 to 2 mm.

**Material:** PA, halogen-free, silicone-free

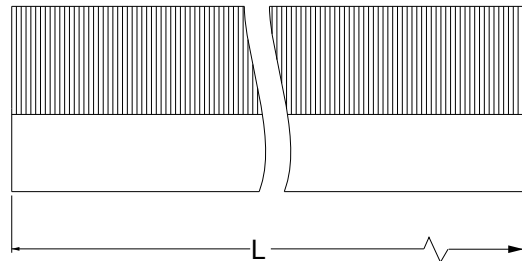
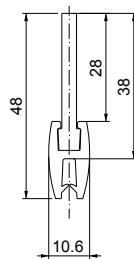
**Flammability:** self-extinguishing acc. to UL94-V0

**Temperature:** -25°C... +80°C (static)



Model	Code	Length L (mm)	Pcs (/pack)
SQZ 600	1736030006	600	1
SQZ 800	1736030008	800	
SQZ 1000	1736030010	1000	
SQZ 1200	1736030012	1200	

### Dimensions (mm)





### FEATURES

- Updated with the latest products
- Dedicated to customers and distributors: it shows the quality and the variety of the DetasUltra solutions



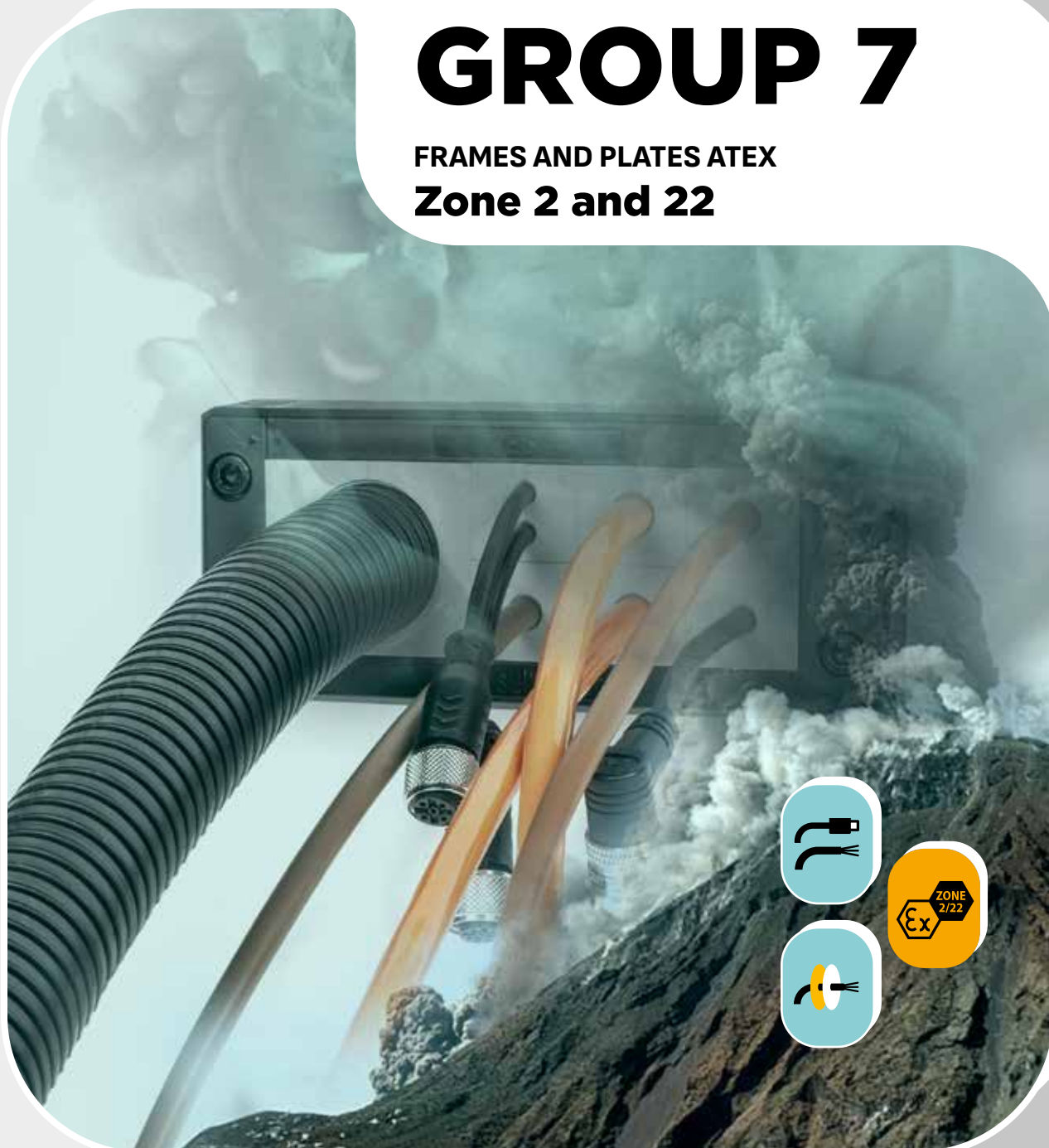
Model	Code	Dimensions (mm)	Pcs (/pack)
DemoBox Deluxe	1736999840	460 x 360 x 90	1

### Box content

Model	Pcs	Model	Pcs
Splittable frames	3	Closing plate	1
Splittable cable glands	4	Cable entry plates without internal frame	5
Splittable frames with brush	2	Cable entry plates with internal frame	5
SPP single grommets	10	Strain relief modules	3
SPP multiple grommets	4	Shield clamps	5
SPG large grommets	2	M5 screwdriver	1
Snap-in connection	1	DetasUltra gadgets	

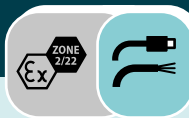
# GROUP 7

FRAMES AND PLATES ATEX  
**Zone 2 and 22**





# DES ATEX



## Splittable frames for cables with and without connectors



The DES cable entry system consists of a splittable frame designed to accommodate small (SPP), multiple (X) or large (SPG) grommets for cables with and without connectors. The grommets can be freely positioned into the frame.

The overmolded gasket guarantees faster installation times and the complete V0 self-extinguishing feature of the system.

**DES ATEX series can be used in zone 2 and 22.**

**Material:** PP+GF, halogen-free, silicone-free

**Flammability:** self-extinguishing

acc. UL94-V0

**Temperature:** -40°C... +155°C (static)

### RELATED PRODUCTS

- SPP A (page 189)
- SPG A (page 190)
- SPP PA (page 200)
- SPG PA (page 201)
- HY360 hydraulic punch driver (page 179)
- PF cable entry system plates (page 181)

Model	Code	Dimensions (mm)	Max. cut-out (mm)	Pcs (/pack)
DES 24A	1731310024	146 x 61	112 x 36	1
DES 16A	1731310016	120 x 61	86 x 36	
DES 10A	1731310010	99 x 61	65 x 36	
DES QA	1731310008	74 x 61	40 x 36	
DES L1A	1731310001	54,3 x 41	21 x 18	
DES L2A	1731310002	74 x 41	40 x 18	
DES L3A	1731310003	99 x 41	63 x 18	
DES L4A	1731310004	120 x 41	86 x 18	
DES L5A	1731310005	146 x 41	112 x 18	
Upon request	1731991020	Set of 4 mounting screws in AISI304 with Black Geomet finishing		



IP66

NEMA 12, 4X

UL TYPE 12, 4X\*  
\*Indoor only



ECOLAB



ROHS COMPLIANT

IK10





# DESPRED ATEX



## Divisible cable glands with locknut

### FEATURES

- Frame screws in AISI304 Stainless Steel with Black Geomet finishing
- M25, M32 and M63 metric sizes
- IP66 and NEMA 4X certified
- Strain relief according to EN 62444
- Sturdy construction IK10
- Integrated gasket

The DESPRED series are divisible cable glands for metric threads.

The 63 model can be used with small, multiple and large grommets for cables up to 34 mm diameter. With multiple grommets it is possible to accommodate up to 16 cables. Future cable size changes can also be easily accommodated using various grommets.

**DESPRED ATEX series can be used in zone 2 and 22.**

**Material:** PP+GF, halogen-free, silicone-free

**Flammability:** self-extinguishing acc. to UL94-V0

**Temperature:** -40°C... +155°C (static)

### RELATED PRODUCTS

- SPP A (page 189)
- SPG A (page 190)
- SPP PA (page 200)
- SPG PA (page 201)
- HY360 hydraulic punch driver (page 179)
- Divisible locknuts (page 49)
- EMCZ M (page 168)

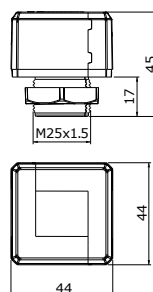


Model	Code	Some possible configuration	Cut-out Ø (mm)	Pcs (/pack)
<b>DESPRED 25A</b>	1731350025		25,5	1
<b>DESPRED 32A</b>	1731350032		32,5	
<b>DESPRED 63A</b>	1731350063		63,5	

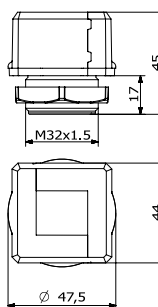
### Dimensions (mm)



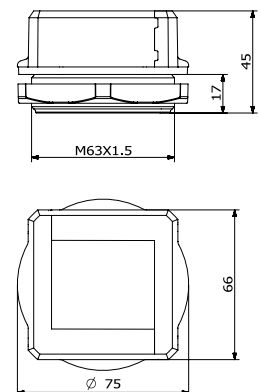
DESPRED 25A



DESPRED 32A



DESPRED 63A



7



IP66

NEMA 12, 4X

UL TYPE 12, 4X\*  
\*Indoor only



ECOLAB



RoHS COMPLIANT

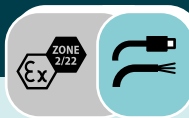
IK10





# SPP ATEX

## DES grommets - small: single, double and quadruple



### FEATURES

- Grommets for cables from 2 to 17 mm diameter
- "Blind" version available
- Grey and black colours available
- UL94-V0 for both colours

The SPP grommets enable several cables from 2 to 17 mm diameter to be installed in the DES splittable frame.

The 2X and 4X\* versions allow multiple cables in the same grommet.

**SPP ATEX series can be used in zone 2 and 22.**

**Material:** TPE, halogen-free, silicone-free

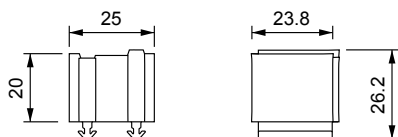
**Flammability:** self-extinguishing acc. to UL94-V0 (grey or black)

**Temperature:** -40°C... +110°C (static)

### RELATED PRODUCTS

- DES 24 A
- DES 16 A
- DES 10 A
- DES Q A
- DES L1 A
- DES L2 A
- DES L3 A
- DES L4 A
- DES L5 A
- DESPRED A

### Dimensions (mm)



Model	Code	Model	Code	Ø Cable (mm)	Pcs (/pack)
□		■			
SPP 0GA	1731320100	SPP 0BA	1731320200	"Blind"	1
SPP 2GA	1731320102	SPP 2BA	1731320202	2-3	
SPP 3GA	1731320103	SPP 3BA	1731320203	3-4	
SPP 4GA	1731320104	SPP 4BA	1731320204	4-5	
SPP 5GA	1731320105	SPP 5BA	1731320205	5-6	
SPP 6GA	1731320106	SPP 6BA	1731320206	6-7	
SPP 7GA	1731320107	SPP 7BA	1731320207	7-8	
SPP 8GA	1731320108	SPP 8BA	1731320208	8-9	
SPP 9GA	1731320109	SPP 9BA	1731320209	9-10	
SPP 10GA	1731320110	SPP 10BA	1731320210	10-11	
SPP 11GA	1731320111	SPP 11BA	1731320211	11-12	
SPP 12GA	1731320112	SPP 12BA	1731320212	12-13	
SPP 13GA	1731320113	SPP 13BA	1731320213	13-14	
SPP 14GA	1731320114	SPP 14BA	1731320214	14-15	
SPP 15GA	1731320115	SPP 15BA	1731320215	15-16	
SPP 16GA	1731320116	SPP 16BA	1731320216	16-17	

□□		■■			
SPP 2x2GA	1731320304	SPP 2x2BA	1731320404	2 x 2	1
SPP 2x3GA	1731320306	SPP 2x3BA	1731320406	2 x 3	
SPP 2x4GA	1731320308	SPP 2x4BA	1731320408	2 x 4	
SPP 2x5GA	1731320310	SPP 2x5BA	1731320410	2 x 5	
SPP 2x6GA	1731320312	SPP 2x6BA	1731320412	2 x 6	
SPP 2x7GA	1731320314	SPP 2x7BA	1731320414	2 x 7	
SPP 2x8GA	1731320316	SPP 2x8BA	1731320416	2 x 8	

□□□		■■■			
SPP 4x2GA	1731320318	SPP 4x2BA	1731320418	4 x 2	1
SPP 4x3GA	1731320320	SPP 4x3BA	1731320420	4 x 3	
SPP 4x4GA	1731320322	SPP 4x4BA	1731320422	4 x 4	
SPP 4x5GA	1731320324	SPP 4x5BA	1731320424	4 x 5	
SPP 4x6GA	1731320326	SPP 4x6BA	1731320426	4 x 6	



IP66

NEMA 12, 4X

UL TYPE 12, 4X\*  
\*indoor only



ECOLAB

UL94-V0



RoHS COMPLIANT

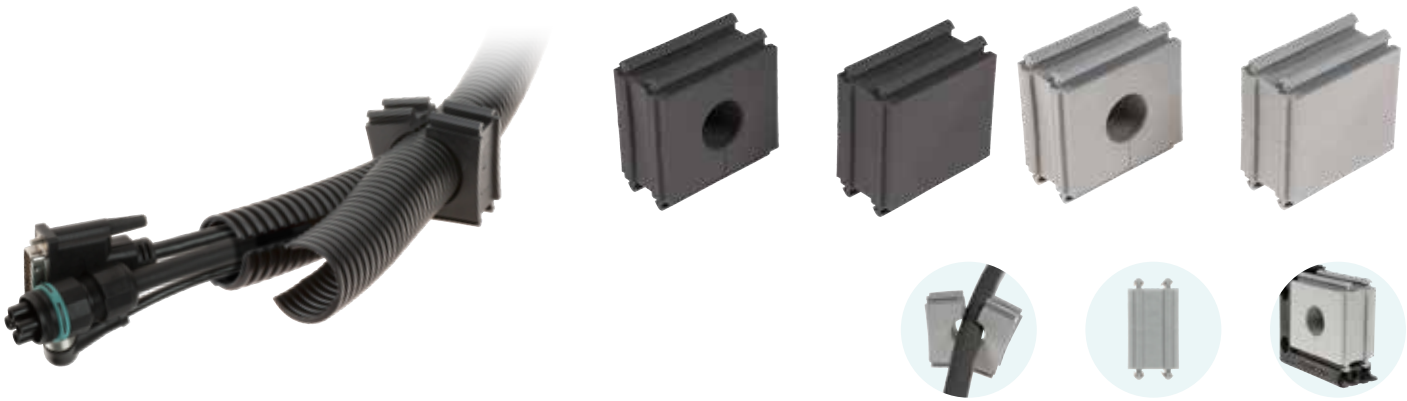




# SPG ATEX



## DES grommets - large



### FEATURES

- Grommets for cables with and without connectors or for corrugated conduits from 17 to 35 mm diameter
- 2 blind versions available
- UL94-V0 for both grey and black

The SPG grommets are designed for cables with or without connectors or for corrugated conduits with diameter from 17 to 35mm.

**SPG ATEX series can be used in zone 2 and 22.**

**Material:** TPE, halogen-free, silicone-free

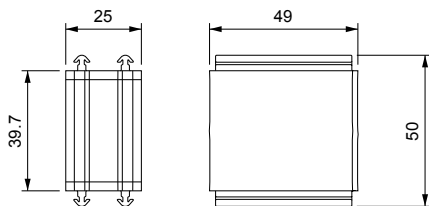
**Flammability:** self-extinguishing acc. to UL94-V0 (grey or black)

**Temperature:** -40°C... +110°C (static)

### RELATED PRODUCTS

- DES 24 A • DES Q A
- DES 16 A • DESPRED A
- DES 10 A

### Dimensions (mm)



Model	Code	Model	Code	Ø Cable min/max (mm)	Pcs (/pack)
<b>SPG 0GA</b>	1731322000	<b>SPG 0BA</b>	1731322020	"Blind"	
<b>SPG 17GA</b>	1731322117	<b>SPG 17BA</b>	1731322217	17-18	
<b>SPG 18GA</b>	1731322118	<b>SPG 18BA</b>	1731322218	18-19	
<b>SPG 19GA</b>	1731322119	<b>SPG 19BA</b>	1731322219	19-20	
<b>SPG 20GA</b>	1731322120	<b>SPG 20BA</b>	1731322220	20-21	
<b>SPG 21GA</b>	1731322121	<b>SPG 21BA</b>	1731322221	21-22	
<b>SPG 22GA</b>	1731322122	<b>SPG 22BA</b>	1731322222	22-23	
<b>SPG 23GA</b>	1731322123	<b>SPG 23BA</b>	1731322223	23-24	
<b>SPG 24GA</b>	1731322124	<b>SPG 24BA</b>	1731322224	24-25	
<b>SPG 25GA</b>	1731322125	<b>SPG 25BA</b>	1731322225	25-26	1
<b>SPG 26GA</b>	1731322126	<b>SPG 26BA</b>	1731322226	26-27	
<b>SPG 27GA</b>	1731322127	<b>SPG 27BA</b>	1731322227	27-28	
<b>SPG 28GA</b>	1731322128	<b>SPG 28BA</b>	1731322228	28-29	
<b>SPG 29GA</b>	1731322129	<b>SPG 29BA</b>	1731322229	29-30	
<b>SPG 30GA</b>	1731322130	<b>SPG 30BA</b>	1731322230	30-31	
<b>SPG 31GA</b>	1731322131	<b>SPG 31BA</b>	1731322231	31-32	
<b>SPG 32GA</b>	1731322132	<b>SPG 32BA</b>	1731322232	32-33	
<b>SPG 33GA</b>	1731322133	<b>SPG 33BA</b>	1731322233	33-34	
<b>SPG 34GA</b>	1731322134	<b>SPG 34BA</b>	1731322234	34-35	



IP66

NEMA 12, 4X

UL TYPE 12, 4X\*  
\*indoor only



ECOLAB

UL94-V0



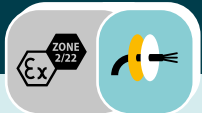
RoHS COMPLIANT





# DES PDM 24 ATEX

Cable entry plates with internal frame and double membrane



## FEATURES

- For a large number of cables without connectors
- High strain relief thanks to the double membrane
- Cost-effective solution
- IP66 and NEMA 4X certified
- ATEX version on request (see group 7)
- Threaded inserts version on request

The DES PDM 24 is an innovative alternative to standard cable glands on electrical, electronic and telecommunication cabinets and equipment. The cable is pushed through the front membrane, whilst the second membrane increases the strain relief and liquid tightness.

**DES PDM 24 ATEX series can be used in zone 2 and 22.**

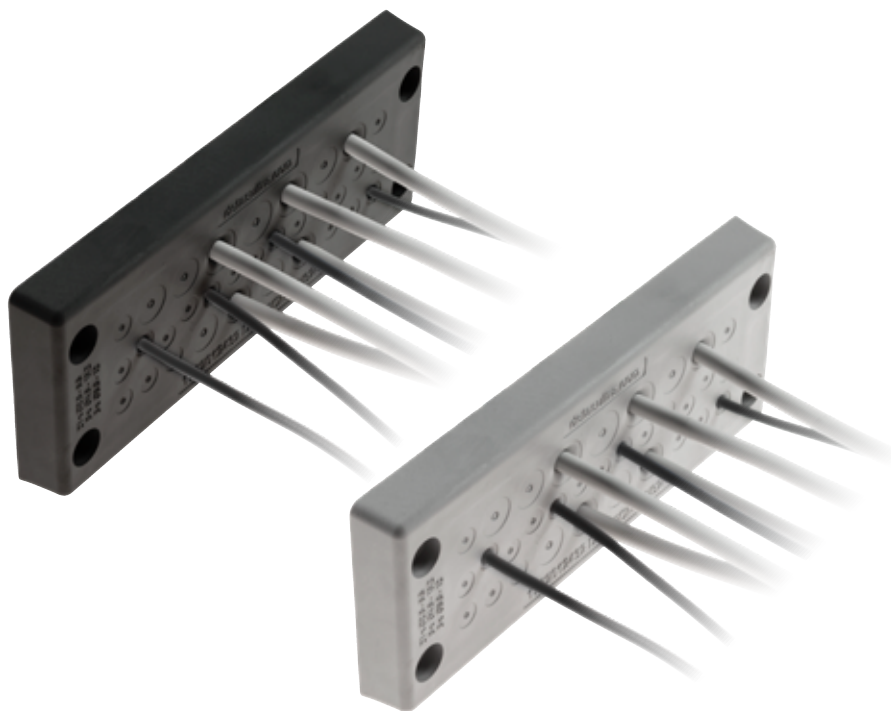
**Material:** TPE+PA, halogen-free, silicone-free

**Flammability:** self-extinguishing acc. to UL94-V0

**Temperature:** -40°C... +105°C (static)

## RELATED PRODUCTS

- HY360 hydraulic punch driver (page 179)
- PF/PFX cable entry system plates (from page 181)



Model	Code
● DES PDM 24A/12G	1732312412
● DES PDM 24A/12B	1732313412

Cut-out (mm)	Plate (mm)	Pcs/pack
112 x 36	148,8 x 59,6	10

NC	ØC
12	9 / 16

Model	Code
● DES PDM 24A/14G	1732312414
● DES PDM 24A/14B	1732313414

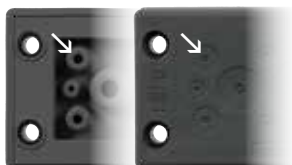
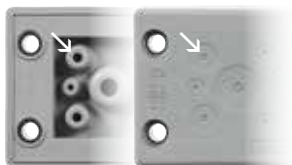
Cut-out (mm)	Plate (mm)	Pcs/pack
112 x 36	148,8 x 59,6	10

NC	ØC
10	2,8 / 6,5
4	14,5 / 22

**NC: Number of cables**

**ØC: Diameter of cables - min/max (mm)**



Double parallel membrane

Model	Code
● DES PDM 24A/15G	1732312415
● DES PDM 24A/15B	1732313415

Cut-out (mm)	Plate (mm)	Pcs/pack
112 x 36	148,8 x 59,6	10

NC	ØC
15	6,8 / 12

Model	Code
● DES PDM 24A/16G	1732312416
● DES PDM 24A/16B	1732313416

Cut-out (mm)	Plate (mm)	Pcs/pack
112 x 36	148,8 x 59,6	10

NC	ØC
8	2,8 / 6,5
4	4,4 / 9,7
2	8,6 / 16,2
2	14,5 / 22



IP66  
IP68

NEMA  
12, 4X

UL TYPE  
12, 4X  
\*Indoor only



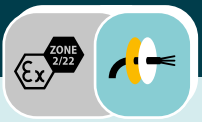
ECOLAB

UL94-V0



RoHS  
COMPLIANT





# DES PDM 24 ATEX



Cable entry plates with internal frame and double membrane

Model	Code
● DES PDM 24A/17G	1732312417
● DES PDM 24A/17B	1732313417

Cut-out (mm)	Plate (mm)	Pcs/pack
112 x 36	148,8 x 59,6	10

NC	ØC
6	2,8 / 6,5
6	4,6 / 10,2
5	8,6 / 16,2

Model	Code
● DES PDM 24A/25G	1732312425
● DES PDM 24A/25B	1732313425

Cut-out (mm)	Plate (mm)	Pcs/pack
112 x 36	148,8 x 59,6	10

NC	ØC
12	2,8 / 6,5
7	4,4 / 9,7
6	6,8 / 12

Model	Code
● DES PDM 24A/26G	1732312426
● DES PDM 24A/26B	1732313426

Cut-out (mm)	Plate (mm)	Pcs/pack
112 x 36	148,8 x 59,6	10

NC	ØC
26	4,6 / 10

Model	Code
● DES PDM 24A/32G	1732312432
● DES PDM 24A/32B	1732313432

Cut-out (mm)	Plate (mm)	Pcs/pack
112 x 36	148,8 x 59,6	10

NC	ØC
21	2,8 / 6,5
8	4,6 / 10,2
3	6,8 / 12

Model	Code
● DES PDM 24A/42G	1732312442
● DES PDM 24A/42B	1732313442

Cut-out (mm)	Plate (mm)	Pcs/pack
112 x 36	148,8 x 59,6	10

NC	ØC
42	2,8 / 6,5

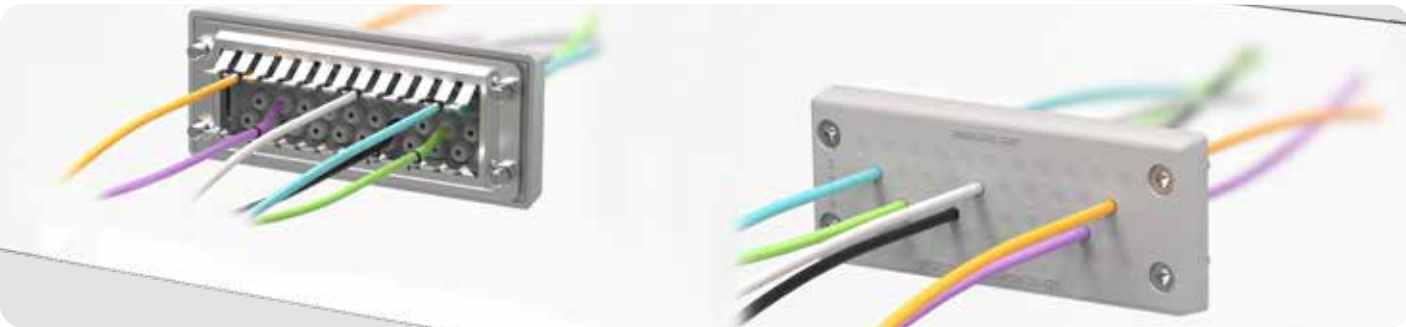
Model	Code
● DES PDM 24A/124G	1732312445

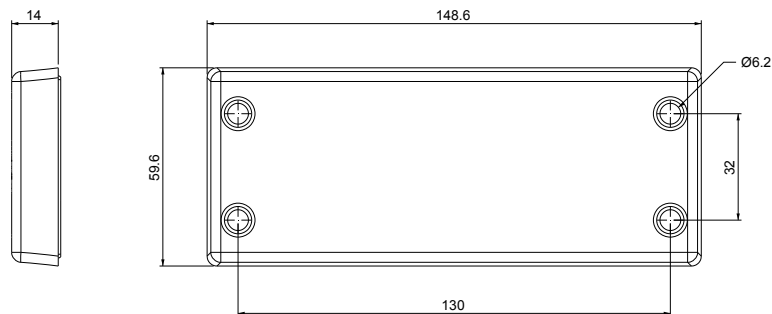
Cut-out (mm)	Plate (mm)	Pcs/pack
112 x 36	148,8 x 59,6	10

NC	ØC
120	1,75 / 4,7
4	2,3 / 6



## Dimensions (mm)



7



# DES PDM Q ATEX



Cable entry plates with internal frame and double membrane

## FEATURES

- For a large number of cables without connectors
- High strain relief thanks to the double membrane
- Cost-effective solution
- IP66 and NEMA 4X certified
- Threaded inserts version on request

The DES PDM Q is an innovative alternative to standard cable glands on electrical, electronic and telecommunication cabinets and equipment.

The cable is pushed through the front membrane, whilst the second membrane increases the strain relief and liquid tightness.

**DES PDM Q ATEX series can be used in zone 2 and 22.**

**Material:** TPE+PA, halogen-free, silicone-free

**Flammability:** self-extinguishing acc. to UL94-V0

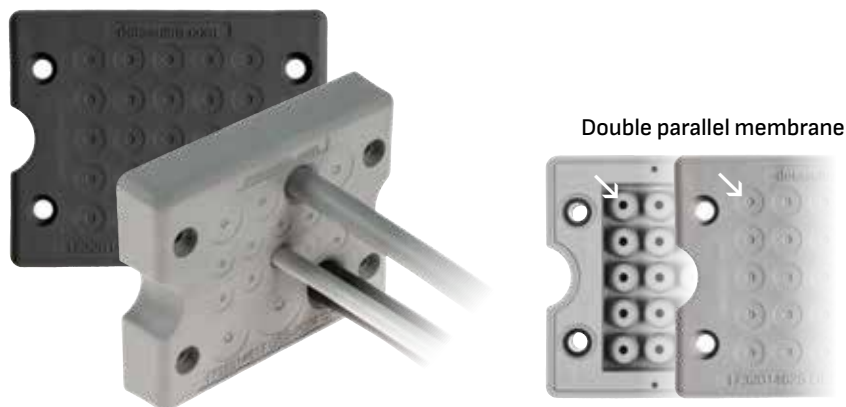
**Temperature:** -40°C... +105°C (static)

## RELATED PRODUCTS

- HY360 hydraulic punch driver (page 179)

**NC:** Number of cables

**ØC:** Diameter of cables - min/max (mm)

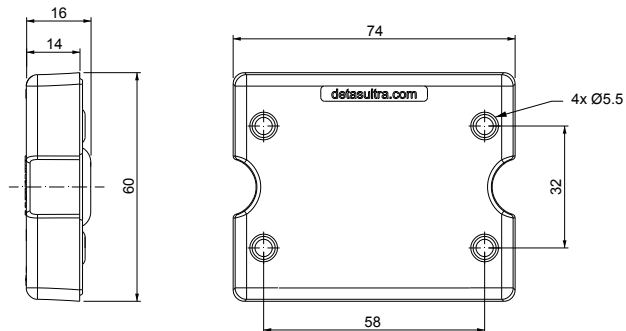
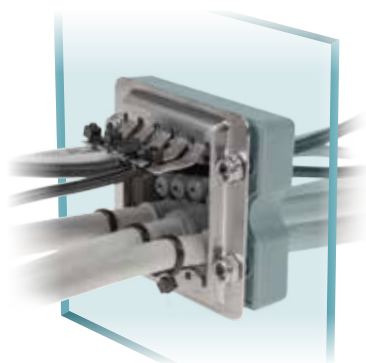


Model	Code		NC	ØC
● DES PDM Q 13GA	1732314613		8	2,8 / 6,5
● DES PDM Q 13BA	1732315614		4	4,6 / 10,2
● DES PDM Q 13CA	1732314625	1	14,5 / 22	
Cut-out (mm)	Plate (mm)	Pcs/pack		
46 x 46	74 x 60	1		

Model	Code		NC	ØC
● DES PDM Q 17GA	1732314617		10	2,8 / 6,5
● DES PDM Q 17BA	1732315618		4	4,6 / 10,2
● DES PDM Q 17CA	1732314626	2	6,8 / 12	
● DES PDM Q 17DA	1732315619	1	8,6 / 16,2	
Cut-out (mm)	Plate (mm)	Pcs/pack		
46 x 46	74 x 60	1		

Model	Code		NC	ØC
● DES PDM Q 25GA	1732314625		25	2,8 / 6,5
● DES PDM Q 25BA	1732315626			
Cut-out (mm)	Plate (mm)	Pcs/pack		
46 x 46	74 x 60	1		

## Dimensions (mm)



IP66

NEMA 12, 4X

UL TYPE 12, 4X\*  
\*indoor only



ECOLAB

UL94-V0



RoHS COMPLIANT





# DES PDMU ATEX



## Round cable entry grommet for single cable - internal frame and double membrane

### FEATURES

- Metric sized
- High retaining force thanks to the double membrane
- Cost-effective solution
- High IP grade (IP66) NEMA 4X
- Recommended tightening torque 8 Nm

The cable entry grommets of the PDMU series are used as an alternative to cable glands. They use the metric holes on cabinets or machinery and the nutlock guarantees a strong strain relief and highest water and dust protection.

The cable is pushed through the front membrane, whilst the second membrane increases the strain relief and liquid tightness.

**DES PDMU ATEX series can be used in zone 2 and 22.**

**Material:** TPE+PA, halogen-free, silicone-free

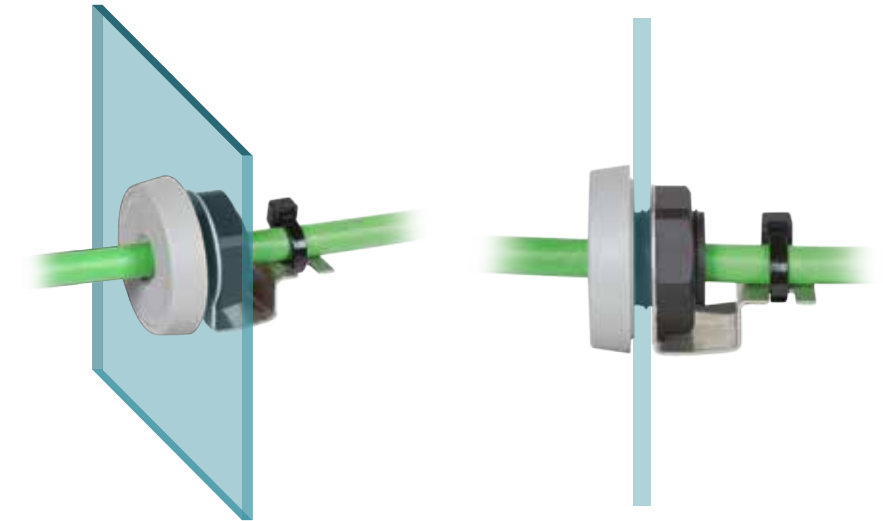
**Flammability:** self-extinguishing acc. to UL94-V0

**Temperature:** -40°C... +110°C (static)

### RELATED PRODUCTS

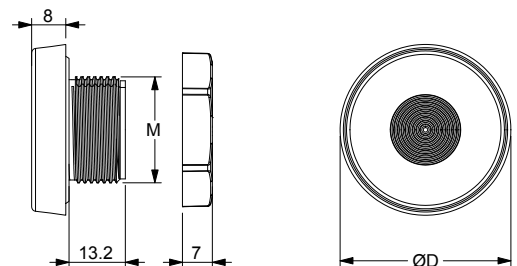
- HY360 hydraulic punch driver (page 179)

Double parallel membrane



Model	Code	Nr. Cables	Ø max (mm)	Thread	Dimensions (mm)		Pcs (/pack)
					Cut-out	ØD	
DES PDMU 20GA	1732330120	1	10,5	M20	20,5	36	1
DES PDMU 25GA	1732330125	1	16	M25	25,5	40	
DES PDMU 32GA	1732330132	1	22	M32	32,5	46	
DES PDMU 20BA	1732331120	1	10,5	M20	20,5	36	1
DES PDMU 25BA	1732331125	1	16	M25	25,5	40	
DES PDMU 32BA	1732331132	1	22	M32	32,5	46	

### Dimensions (mm)



7



IP66

up to NEMA 12, 4X

UL TYPE 12, 4X\*  
\*indoor only



ECOLAB

UL94-V0



RoHS COMPLIANT

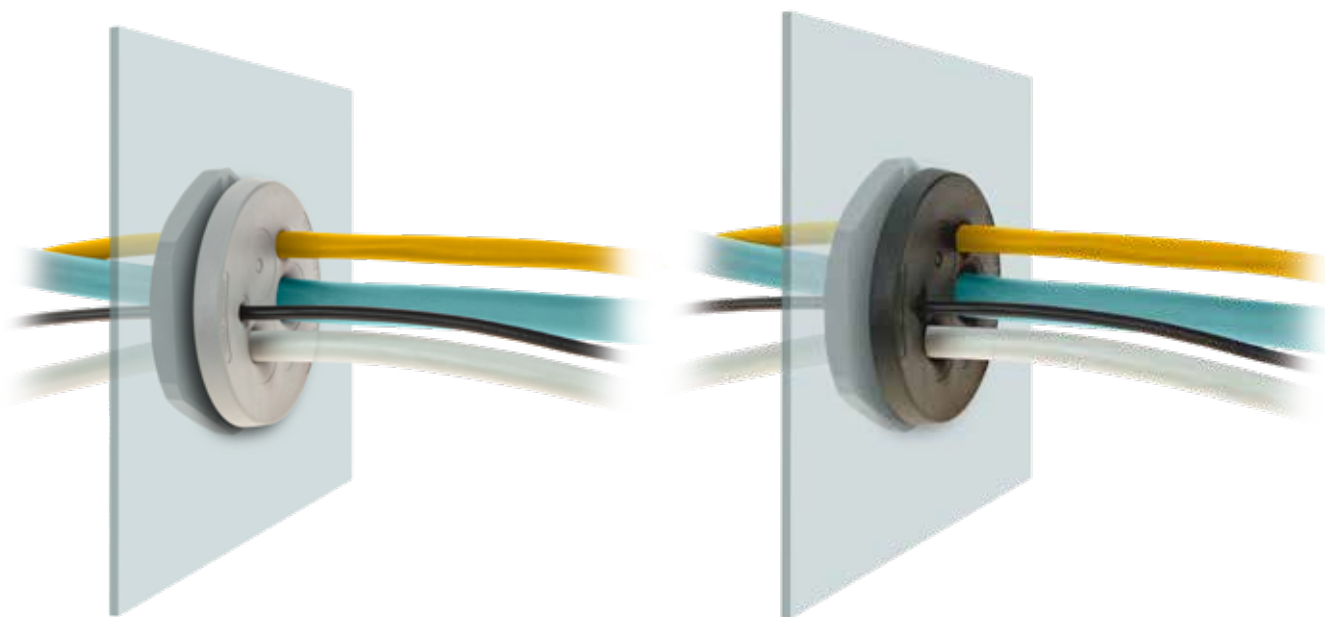




# DES PDM M ATEX



## Round cable entry plates with internal frame and double membrane



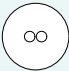
### FEATURES

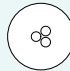
- For a large number of cables without connectors
- High strain relief thanks to the double membrane
- Cost-effective solution
- High IP grade IP66-68 NEMA 4X

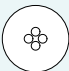
The cable entry plates of the DES PDM M series are used to save space and time as alternative to cable glands. They use the metric holes on cabinets or machinery and the double membrane guarantees a high strain relief and water and dust protection. The cable is pushed through the front membrane, whilst the second membrane increases the strain relief and liquid tightness.


DES PDM M ATEX series can be used in zone 2 and 22.

**NC: Number Cables**  
**ØC: Diameter Cables - min / max (mm)**

Model	Code		
● DES PDM M20A/2G	1732332002		
● DES PDM M20A/2B	1732333005		
Cut-out	ØD (mm)	H (mm)	Pcs/pack.
M20	36	7	1
	NC	ØC	
	2	2 / 5,5	

Model	Code		
● DES PDM M20A/3G	1732332003		
● DES PDM M20A/3G	1732333006		
Cut-out	ØD (mm)	H (mm)	Pcs/pack.
M20	36	7	1
	NC	ØC	
	3	2 / 5	

Model	Code		
● DES PDM M20A/4G	1732332004		
● DES PDM M20A/4G	1732333007		
Cut-out	ØD (mm)	H (mm)	Pcs/pack.
M20	36	7	1
	NC	ØC	
	4	2 / 4,5	

Model	Code		
● DES PDM M25A/4G	1732333104		
● DES PDM M25A/4B	1732333504		
Cut-out	ØD (mm)	H (mm)	Pcs/pack.
M25	41	7	1
	NC	ØC	
	4	2,6 / 6,2	



IP66  
IP68

NEMA  
12, 4X

UL TYPE  
12, 4X  
\*indoor only



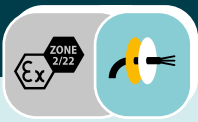
ECOLAB

UL94-V0



RoHS  
COMPLIANT





# DES PDM M ATEX



## Round cable entry plates with internal frame and double membrane

**Material:** TPE+PA, halogen-free, silicone-free

**Flammability:** self-extinguishing acc. to UL94-V0

**Temperature:** -40°C... +105°C (static)

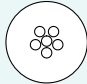
### RELATED PRODUCTS

- HY360 hydraulic punch driver (page 179)

Model	Code
● DES PDM M25A/6G	1732333506
● DES PDM M25A/6B	1732333507

Cut-out	ØD (mm)	H (mm)	Pcs/pack.
M25	41	7	1


NC	ØC
6	2,2 / 5



Model	Code
● DES PDM M32A/4G	1732333204
● DES PDM M32A/4B	1732334205

Cut-out	ØD (mm)	H (mm)	Pcs/pack.
M32	46	7	1

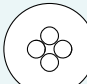
NC	ØC
3	2,6 / 6,5
1	5,5 / 12,5



Model	Code
● DES PDM M32A/4-2G	1732333242
● DES PDM M32A/4-2B	1732334252

Cut-out	ØD (mm)	H (mm)	Pcs/pack.
M32	46	7	1

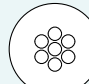
NC	ØC
4	3,5 / 8,8



Modello	Code
● DES PDM M32A/7G	1732333207
● DES PDM M32A/7B	1732334208

Cut-out	ØD (mm)	H (mm)	Pcs/pack.
M32	46	7	1

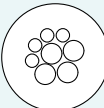
NC	ØC
7	2,6 / 6,5



Model	Code
● DES PDM M40A/8G	1732334008
● DES PDM M40A/8B	1732335009

Cut-out	ØD (mm)	H (mm)	Pcs/pack.
M40	54	7	1

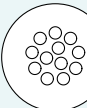
NC	ØC
4	2,6 / 6,5
4	4 / 10,2



Model	Code
● DES PDM M40A/12G	1732334012
● DES PDM M40A/12B	1732335007

Cut-out	ØD (mm)	H (mm)	Pcs/pack.
M40	54	7	1

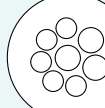
NC	ØC
12	2 / 6



Model	Code
● DES PDM M50A/8G	1732335008
● DES PDM M50A/8B	1732336009

Cut-out	ØD (mm)	H (mm)	Pcs/pack.
M50	64	8,5	1

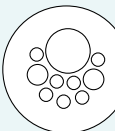
NC	ØC
5	4,6 / 10,2
3	6,8 / 12,5



Model	Code
● DES PDM M50/10G	1732335010
● DES PDM M50/10B	1732336011

Cut-out	ØD (mm)	H (mm)	Pcs/pack.
M50	64	8,5	1

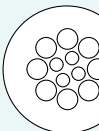
NC	ØC
7	2,8 / 6,5
2	4,6 / 10,2
1	14,5 / 22



Model	Code
● DES PDM M50/12G	1732335012
● DES PDM M50/12B	1732336013

Cut-out	ØD (mm)	H (mm)	Pcs/pack.
M50	64	8,5	1

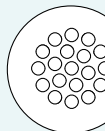
NC	ØC
4	2,8 / 6,5
8	4,6 / 10,2



Model	Code
● DES PDM M50/19G	1732335019
● DES PDM M50/19B	1732336020

Cut-out	ØD (mm)	H (mm)	Pcs/pack.
M50	64	8,5	1

NC	ØC
19	2,8 / 6,5




IP66  
IP68

NEMA  
12, 4X

UL TYPE  
12, 4X\*  
\*indoor only



ECOLAB



RoHS  
COMPLIANT





# DES PDM M ATEX



## Round cable entry plates with internal frame and double membrane

Model	Code
● DES PDM M63A/6G	1732336306
● DES PDM M63A/6B	1732337307

Cut-out	ØD (mm)	H (mm)	Pcs/pack.
M63	77	8,5	1

NC	ØC
3	4,6 / 10,2
3	10,9 / 20

Model	Code
● DES PDM M63A/9G	1732336309
● DES PDM M63A/9B	1732337310

Cut-out	ØD (mm)	H (mm)	Pcs/pack.
M63	77	8,5	1

NC	ØC
1	2,6 / 6
3	4,6 / 10,2
4	8,6 / 16,2
1	10,9 / 20

Model	Code
● DES PDM M63A/13G	1732336313
● DES PDM M63A/13B	1732337314

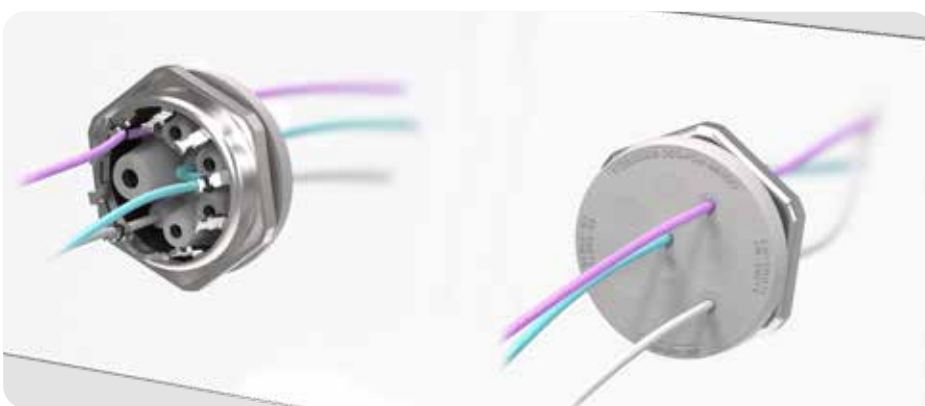
Cut-out	ØD (mm)	H (mm)	Pcs/pack.
M63	77	8,5	1

NC	ØC
4	2,8 / 6
4	4,6 / 10,2
5	9,5 / 16,2

Model	Code
● DES PDM M63A/14G	1732336314
● DES PDM M63A/14B	1732337315

Cut-out	ØD (mm)	H (mm)	Pcs/pack.
M63	77	8,5	1

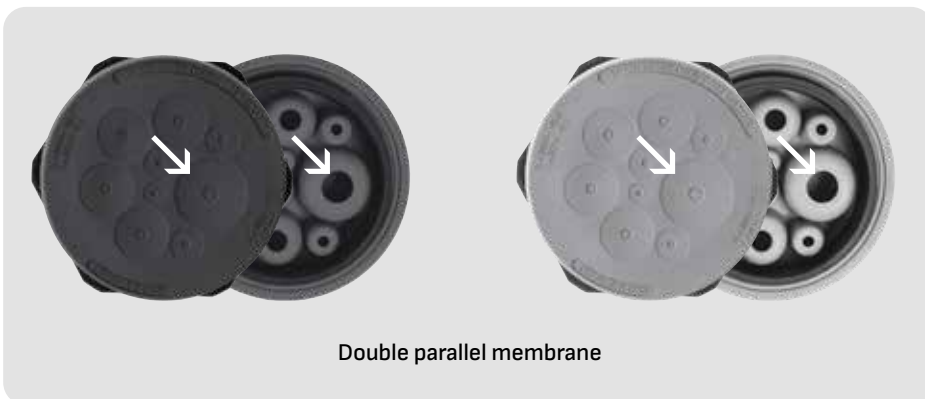
NC	ØC
14	5 / 10



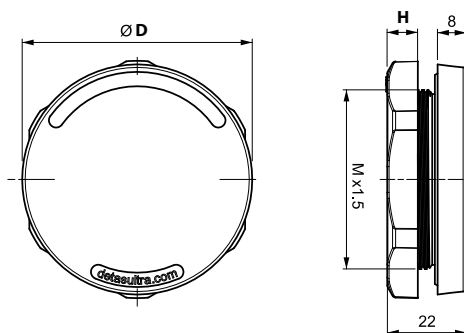
Model	Code
● DES PDM M63A/35G	1732336335
● DES PDM M63A/35B	1732337336

Cut-out	ØD (mm)	H (mm)	Pcs/pack.
M63	77	8,5	1

NC	ØC
35	2,6 / 5,5



### Dimensions (mm)



Recommended tightening torque 8 Nm



# DES PDP ATEX



Round base, cone-shaped cable entry grommets with locknut

## FEATURES

- For diameters from 2,5 to 64 mm
- Reinforced base plate
- Cost-effective solution
- UL94-V0 for grey and black

The DES PDP is available in M25, M32, M40, M50, M63 and M75 sizes and it allows non-terminated cables with diameter from 2,5 to 64 mm to pass through the walls of the electrical cabinets.

The reinforced base plate increases the stability when large cables are used.

**DES PDP ATEX series can be used in zone 2 and 22.**

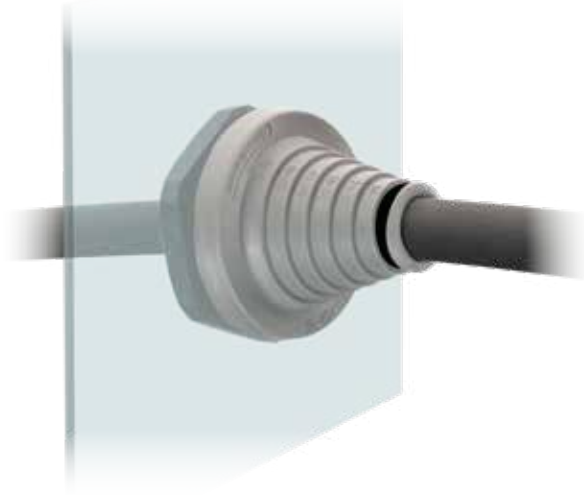
**Material:** TPE+PA, halogen-free, silicone-free

**Flammability:** self-extinguishing acc. to UL94-V0

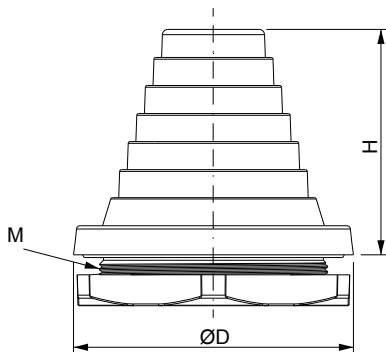
**Temperature:** -40°C... +110°C (static)

## RELATED PRODUCTS

- HY360 hydraulic punch driver (page 179)



Dimensions (mm)



Model	Code	Nr. Cables	Ø Cable min/max (mm)	M	Dimensions (mm)			Pcs x conf.
					Cut-out	ØD	H	
DES PDP 25GA	1732350025	1	2,5 / 17	M25 x 1,5	25,5	39	46.5	1
DES PDP 32GA	1732350032	1	5 / 23	M32 x 1,5	32,5	46	55.2	
DES PDP 40GA	1732350040	1	8 / 29	M40 x 1,5	40,5	54	62	
DES PDP 50GA	1732350050	1	17 / 42	M50 x 1,5	50,5	64	50	
DES PDP 63GA	1732350063	1	23 / 55	M63 x 1,5	63,5	77	62	
DES PDP 75GA	1732350075	1	38 / 64	M75 x 2	75,5	89	64	

Model	Code	Nr. Cables	Ø Cable min/max (mm)	M	Dimensions (mm)			Pcs x conf.
					Cut-out	ØD	H	
DES PDP 25BA	1732352025	1	2,5 / 17	M25 x 1,5	25,5	39	46.5	1
DES PDP 32BA	1732352032	1	5 / 23	M32 x 1,5	32,5	46	55.2	
DES PDP 40BA	1732352040	1	8 / 29	M40 x 1,5	40,5	54	62	
DES PDP 50BA	1732352050	1	17 / 42	M50 x 1,5	50,5	64	50	
DES PDP 63BA	1732352063	1	23 / 55	M63 x 1,5	63,5	77	62	
DES PDP 75BA	1732352075	1	38 / 64	M75 x 2	75,5	89	64	



up to IP66

up to NEMA 12

UL TYPE 12



ECOLAB

UL94-V0



RoHS COMPLIANT





# DES PDPS ATEX



Round base, cone-shaped cable entry grommets

## FEATURES

- For diameters from 23 to 64 mm
- Reinforcing base plate
- Cost-effective solution
- UL94-V0 for grey and black

The DES PDPS ATEX is available in two sizes, enabling non-terminated cables with diameter from 23 to 64 mm to pass through the walls of the electrical cabinets. The PDPS is installed from the front, without the need to screw the nut from the internal side of the wall. The reinforced base plate increases the stability when large cables are used.

**DES PDPS ATEX series can be used in zone 2 and 22.**

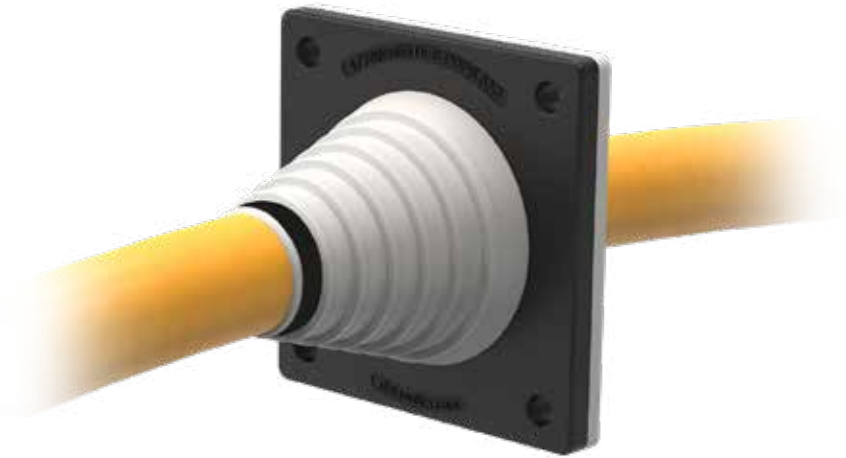
**Material:** TPE+PA, halogen-free, silicone-free

**Flammability:** self-extinguishing acc. to UL94-V0

**Temperature:** -40°C... +110°C (static)

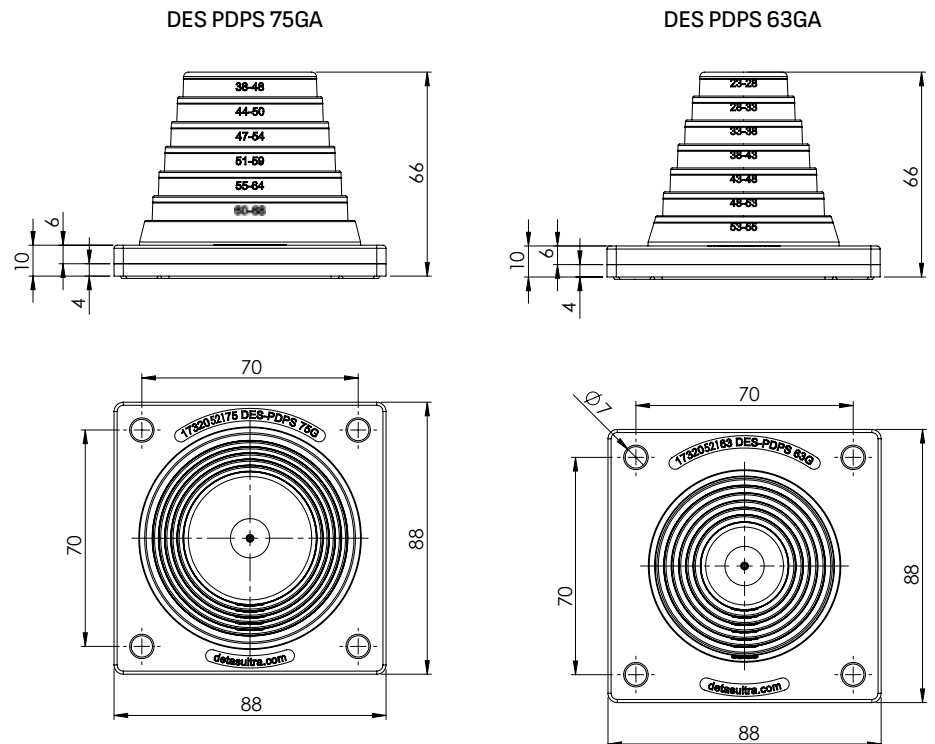
## RELATED PRODUCTS

- HY360 hydraulic punch driver (page 179)



Model	Code	Nr. Cables	Ø Cable min/max (mm)	Ø Hole (mm)	Dimensions (mm)		Pcs x conf.
					Base	Height	
DES PDPS 63GA	1732352080	1	23 / 55	max 63,5	88 x 88	66	10
DES PDPS 75GA	1732352090	1	38 / 64	max 75,5	88 x 88	66	

## Dimensions (mm)



up to **IP66**
 up to **NEMA 12**
**UL TYPE 12**
**HL3**
**ECOLAB**
**UL94-V0**
**UV**
**RoHS COMPLIANT**
**ATEX ZONE 2/22**



# SPP P ATEX



SPP multi-range grommets with pyramidal shape

## FEATURES

- Universal solution for cables without connectors from 3 to 14mm diameter
- Can be used on all DES Frames and divisible cable glands
- IP66
- UL94-V0 for both grey and black colors





The SPP P ATEX grommets are suitable for cables without connectors. They are used cutting the cone corresponding to the diameter of the cable. The cable is then routed into the grommet where the internal shape is increasing the strain relief. It is also possible to secure the cable with a cable tie. **SPP P ATEX series can be used in zone 2 and 22.**

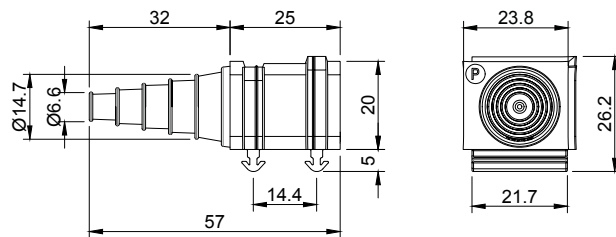
**Material:** TPE, halogen-free, silicone-free

**Flammability:** self-extinguishing acc. to UL94-V0

**Temperature:** -40°C... +110°C (static)

Model	Code	Ø Cable min/max (mm)	Pcs (/pack)
 SPP PGA	1731320650	3 - 14	1
 SPP PBA	1731320652		

## Dimensions (mm)



## RELATED PRODUCTS

- DES 24 A
- DES 16 A
- DES 10 A
- DES Q A
- DES L1 A
- DES L2 A
- DES L3 A
- DES L4 A
- DES L5 A
- DESPRED A



IP66

NEMA 12, 4X

UL TYPE 12, 4X\*  
\*indoor only



ECOLAB

UL94-V0



RoHS COMPLIANT





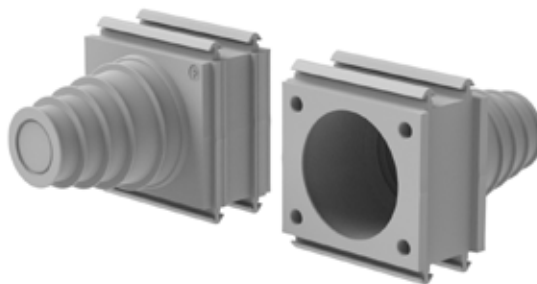
# SPG P ATEX



## SPG multi-range grommets with pyramidal shape

### FEATURES

- Universal solution for cables without connectors from 17 to 33 mm diameter
- Can be used on all DES Frames and divisible cable glands
- IP66
- UL94-V0 for both grey and black colors



The SPG P ATEX grommets are suitable for cables without connectors. They are used by cutting the cone corresponding to the diameter of the cable. The cable is then routed into the grommet where the internal shape improves the strain relief.



Is it also possible to secure the cable with a cable tie.

**SPG P ATEX series can be used in zone 2 and 22.**

**Material:** TPE, halogen-free, silicone-free

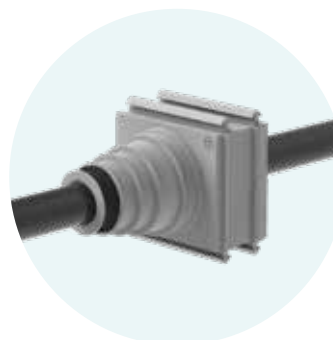
**Flammability:** self-extinguishing acc. to UL94-V0

**Temperature:** -40°C... +110°C (static)

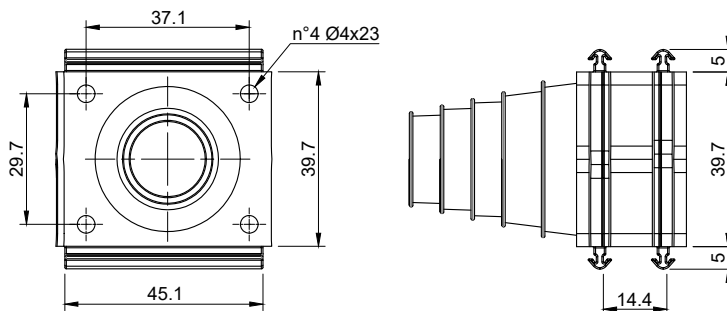
Model	Code	Cable diameter range (mm)	Pcs (/pack)
 <b>SPG PGA</b>	1731320745	17 - 33	10
 <b>SPG PBA</b>	1731320748		

### RELATED PRODUCTS

- DES 24 A
- DES 16 A
- DES 10 A
- DES Q A
- DESPRED A



### Dimensions (mm)



IP66

NEMA 12, 4X



ECOLAB



RoHS COMPLIANT



# CODE INDEX

CODE	MODEL	PAGE
1731010001	DES L1	16
1731010002	DES L2	16
1731010003	DES L3	16
1731010004	DES L4	17
1731010005	DES L5	17
1731010008	DES Q	15
1731010010	DES 10	14
1731010016	DES 16	13
1731010024	DES 24	12
1731010124	DES 24-90	19
1731010215	DES 24MX15	21
1731010216	DES 16M	23
1731010224	DES 24M	20
1731010252	DES 24 MX2	22
1731010253	DES 24 MX3	22
1731010254	DES 24 MX4	22
1731010262	DES 16 MX2	24
1731010263	DES 16 MX3	24
1731010264	DES 16 MX4	24
1731010270	DES 380M	34
1731010272	DES 380MX2	35
1731010273	DES 380MX3	35
1731010274	DES 380MX4	35
1731010278	SPH0G	79
1731010281	SPH38G	79
1731010282	SPH42G	79
1731010283	SPH46G	79
1731010284	SPH50G	79
1731010285	SPH54G	79
1731010286	SPH58G	79
1731010287	SPH62G	79
1731010308	DESQ CLICK	33
1731010310	DES10 CLICK	32
1731010316	DES16 CLICK	31
1731010317	DES16/2 CLICK	31
1731010324	DES24 CLICK	30

CODE	MODEL	PAGE
1731010326	DES24/2 CLICK	30
1731010332	DES LC2	29
1731010333	DES LC3	29
1731010334	DES LC4	29
1731010335	DES LC5	29
1731010340	DES LC24	25
1731010342	DES LC24/2	25
1731010344	DES LC 16	26
1731010346	DES LC 16/2	26
1731010348	DES LC 10	27
1731010350	DES LC Q	28
1731010408	DES FLAP Q Click	38
1731010410	DES FLAP 10 Click	38
1731010416	DES FLAP 16 Click	38
1731010424	DES FLAP 24 Click	38
1731020100	SPP 0G	58
1731020102	SPP 2G	65
1731020103	SPP 3G	65
1731020104	SPP 4G	65
1731020105	SPP 5G	65
1731020106	SPP 6G	65
1731020107	SPP 7G	65
1731020108	SPP 8G	65
1731020109	SPP 9G	65
1731020110	SPP 10G	65
1731020111	SPP 11G	65
1731020112	SPP 12G	65
1731020113	SPP 13G	65
1731020114	SPP 14G	65
1731020115	SPP 15G	65
1731020116	SPP 16G	65
1731020200	SPP 0B	65
1731020202	SPP 2B	65
1731020203	SPP 3B	65
1731020204	SPP 4B	65
1731020205	SPP 5B	65

CODE	MODEL	PAGE
1731020206	SPP 6B	65
1731020207	SPP 7B	65
1731020208	SPP 8B	65
1731020209	SPP 9B	65
1731020210	SPP 10B	65
1731020211	SPP 11B	65
1731020212	SPP 12B	65
1731020213	SPP 13B	65
1731020214	SPP 14B	65
1731020215	SPP 15B	65
1731020216	SPP 16B	65
1731020304	SPP 2x2G	65
1731020306	SPP 2x3G	65
1731020308	SPP 2x4G	65
1731020310	SPP 2x5G	65
1731020312	SPP 2x6G	65
1731020314	SPP 2x7G	65
1731020316	SPP 2x8G	65
1731020318	SPP 4x2G	65
1731020320	SPP 4x3G	65
1731020322	SPP 4x4G	65
1731020324	SPP 4x5G	65
1731020326	SPP 4x6G	65
1731020404	SPP 2x2B	65
1731020406	SPP 2x3B	65
1731020408	SPP 2x4B	65
1731020410	SPP 2x5B	65
1731020412	SPP 2x6B	65
1731020414	SPP 2x7B	65
1731020416	SPP 2x8B	65
1731020418	SPP 4x2B	65
1731020420	SPP 4x3B	65
1731020422	SPP 4x4B	65
1731020424	SPP 4x5B	65
1731020426	SPP 4x6B	65
1731020504	SPP M4G	69

CODE	MODEL	PAGE
1731020505	SPP M4bG	69
1731020604	SPP M4B	69
1731020605	SPP M4bB	69
1731020650	SPP PG	68
1731020651	SPP PGT	68
1731020652	SPP PB	68
1731020653	SPP PBT	68
1731020720	SPP VENTG	70
1731020730	SPP Z3	70
1731020810	SPG WD22	76
1731020815	SPG WFQ20	76
1731020820	SPG WFQ27	76
1731020830	SPG WFP23	76
1731020840	SPG W12x1	76
1731020850	SPG W25x1,5	76
1731020905	SPG W22 USB3.0	77
1731020907	SPG WP20 USB3.0	78
1731020913	SPG WP16 USB-C	78
1731020915	SPG W22 USB-C	77
1731020930	SPG W22 RJ45 Cat.6	77
1731020933	SPG WP20 RJ45 Cat.6	78
1731020935	SPG W22 HDMI	77
1731020937	SPG WP20 HDMI	78
1731020939	SPG WP M12RJ	78
1731020940	SPG W22 2xUSB2.0	77
1731020970	SPG WCK	76
1731021100	SPP K0G	67
1731021110	SPP K1G	67
1731021115	SPP K2G	67
1731021120	SPP K3G	67
1731021125	SPP K4G	67
1731021127	SPP K5G	67
1731021130	SPP ASI G	65
1731021140	SPP ASI2 G	65
1731021200	SPP R1G	66
1731021202	SPP R2G	66
1731021204	SPP R3G	66
1731021206	SPP R4G	66
1731021210	SPP R1B	66
1731021212	SPP R2B	66

CODE	MODEL	PAGE
1731021214	SPP R3B	66
1731021216	SPP R4B	66
1731022000	SPG 0G	71
1731022020	SPG 0B	71
1731022030	SPG YG	71
1731022035	SPG YB	71
1731022117	SPG 17G	71
1731022118	SPG 18G	71
1731022119	SPG 19G	71
1731022120	SPG 20G	71
1731022121	SPG 21G	71
1731022122	SPG 22G	71
1731022123	SPG 23G	71
1731022124	SPG 24G	71
1731022125	SPG 25G	71
1731022126	SPG 26G	71
1731022127	SPG 27G	71
1731022128	SPG 28G	71
1731022129	SPG 29G	71
1731022130	SPG 30G	71
1731022131	SPG 31G	71
1731022132	SPG 32G	71
1731022133	SPG 33G	71
1731022134	SPG 34G	71
1731022140	SPG 2R1G	72
1731022217	SPG 17B	71
1731022218	SPG 18B	71
1731022219	SPG 19B	71
1731022220	SPG 20B	71
1731022221	SPG 21B	71
1731022222	SPG 22B	71
1731022223	SPG 23B	71
1731022224	SPG 24B	71
1731022225	SPG 25B	71
1731022226	SPG 26B	71
1731022227	SPG 27B	71
1731022228	SPG 28B	71
1731022229	SPG 29B	71
1731022230	SPG 30B	71
1731022231	SPG 31B	71

CODE	MODEL	PAGE
1731022232	SPG 32B	71
1731022233	SPG 33B	71
1731022234	SPG 34B	71
1731022240	SPG 2R1B	72
1731022300	SPG K0G	73
1731022302	SPG M2G	75
1731022303	SPG M3G	75
1731022304	SPG M4G	75
1731022307	SPG M7G	75
1731022309	SPG M9G	75
1731022310	SPG K1G	73
1731022314	SPG M14G	75
1731022315	SPG M15G	75
1731022320	SPG K2G	73
1731022330	SPG K3G	73
1731022400	SPG K0B	73
1731022402	SPG M2B	75
1731022403	SPG M3B	75
1731022404	SPG M4B	75
1731022407	SPG M7B	75
1731022409	SPG M9B	75
1731022410	SPG K1B	73
1731022414	SPG M14B	75
1731022415	SPG M15B	75
1731022420	SPG K2B	73
1731022430	SPG K3B	73
1731023100	SPP K0B	67
1731023110	SPP K1B	67
1731023115	SPP K2B	67
1731023120	SPP K3B	67
1731023125	SPP K4B	67
1731023127	SPP K5B	67
1731031008	DES FLAPQ	37
1731031010	DES FLAP10	37
1731031016	DES FLAP16	37
1731031024	DES FLAP24	37
1731032008	DES COVERQ	36
1731032010	DES COVER10	36
1731032016	DES COVER16	36
1731032024	DES COVER24	36

CODE	MODEL	PAGE
1731040002	ISP 2	80
1731040003	ISP 3	80
1731040004	ISP 4	80
1731040005	ISP 5	80
1731040006	ISP 6	80
1731040007	ISP 7	80
1731040008	ISP 8	80
1731040009	ISP 9	80
1731040010	ISP 10	80
1731040011	ISP 11	80
1731040012	ISP 12	80
1731040013	ISP 13	80
1731040014	ISP 14	80
1731040015	ISP 15	80
1731040016	ISP 16	80
1731040018	ISP 18	80
1731040019	ISP 19	80
1731040020	ISP 20	80
1731040021	ISP 21	80
1731040022	ISP 22	80
1731040023	ISP 23	80
1731040024	ISP 24	80
1731040025	ISP 25	80
1731040026	ISP 26	80
1731040027	ISP 27	80
1731040028	ISP 28	80
1731040029	ISP 29	80
1731040030	ISP 30	80
1731040031	ISP 31	80
1731040032	ISP 32	80
1731040033	ISP 33	80
1731040034	ISP 34	80
1731050025	DESPRED 25	47
1731050032	DESPRED 32	47
1731050063	DESPRED 63	47
1731050250	DESPRED 50-90	48
1731051020	DESCCLICK 20B	45
1731051025	DESCCLICK 25B	45
1731051032	DESCCLICK 32B	45
1731051050	DESCCLICK 50B	46

CODE	MODEL	PAGE
1731051320	DESCCLICK 20G	45
1731051325	DESCCLICK 25G	45
1731051332	DESCCLICK 32G	45
1731051350	DESCCLICK 50G	46
1731052032	DDM32 SUB-D9	50
1731052316	OSF 16G	40
1731052320	OSF 20G	40
1731052325	OSF 25G	40
1731052332	OSF 32G	40
1731052340	OSF 40G	41
1731052350	OSF 50G	42
1731052363	OSF 63G	42
1731052416	OSF 16B	40
1731052420	OSF 20B	40
1731052425	OSF 25B	40
1731052432	OSF 32B	40
1731052440	OSF 40B	41
1731052450	OSF 50B	42
1731052460	OSF 63B	42
1731052500	SPC 0G	58
1731052501	SPC 1G	58
1731052502	SPC 2G	58
1731052503	SPC 3G	58
1731052504	SPC 4G	58
1731052505	SPC 5G	58
1731052506	SPC 6G	58
1731052507	SPC 7G	58
1731052508	SPC 8G	58
1731052509	SPC 9G	58
1731052510	SPC 10G	58
1731052511	SPC 11G	58
1731052512	SPC 12G	58
1731052513	SPC 13G	58
1731052514	SPC 14G	58
1731052522	SPC 2x2G	58
1731052523	SPC 2x3G	58
1731052524	SPC 2x4G	58
1731052525	SPC 2x5G	58
1731052526	SPC 2x6G	58
1731052527	SPC 2x7G	58

CODE	MODEL	PAGE
1731052532	SPC 4x2G	58
1731052533	SPC 4x3G	58
1731052534	SPC 4x4G	58
1731052535	SPC 4x5G	58
1731052536	SPC 4x6G	58
1731052537	SPC 4x4,5G	58
1731052550	SPC K1G	60
1731052555	SPC K2G	60
1731052560	SPC K3G	60
1731052565	SPC K4G	60
1731052600	SPC 0B	58
1731052601	SPC 1B	58
1731052602	SPC 2B	58
1731052603	SPC 3B	58
1731052604	SPC 4B	58
1731052605	SPC 5B	58
1731052606	SPC 6B	58
1731052607	SPC 7B	58
1731052608	SPC 8B	58
1731052609	SPC 9B	58
1731052610	SPC 10B	58
1731052611	SPC 11B	58
1731052612	SPC 12B	58
1731052613	SPC 13B	58
1731052614	SPC 14B	58
1731052622	SPC 2x2B	58
1731052623	SPC 2x3B	58
1731052624	SPC 2x4B	58
1731052625	SPC 2x5B	58
1731052626	SPC 2x6B	58
1731052627	SPC 2x7B	58
1731052632	SPC 4x2B	58
1731052633	SPC 4x3B	58
1731052634	SPC 4x4B	58
1731052635	SPC 4x5B	58
1731052636	SPC 4x6B	58
1731052637	SPC 4x4,5B	58
1731052650	SPC K1B	60
1731052652	SPC K2B	60
1731052654	SPC K3B	60

CODE	MODEL	PAGE
1731052656	SPC K4B	60
1731052716	OSF ZIP 16G	44
1731052720	OSF ZIP 20G	44
1731052725	OSF ZIP 25G	44
1731052732	OSF ZIP 32G	44
1731052816	OSF ZIP 16B	44
1731052820	OSF ZIP 20B	44
1731052825	OSF ZIP 25B	44
1731052832	OSF ZIP 32B	44
1731052916	OSF90 16G	43
1731052917	OSF90 16B	43
1731052920	OSF90 20G	43
1731052921	OSF90 20B	43
1731052925	OSF90 25G	43
1731052926	OSF90 25B	43
1731052932	OSF90 32G	43
1731052933	OSF90 32B	43
1731053000	SPL0G	61
1731053001	SPL 0B	61
1731053005	SPL 13G	61
1731053010	SPL 17G	61
1731053013	SPL 21G	61
1731053015	SPL 25G	61
1731053020	SPL 29G	61
1731053025	SPL 13B	61
1731053030	SPL 17B	61
1731053033	SPL 21B	61
1731053035	SPL 25B	61
1731053040	SPL 29B	61
1731053050	SPL M4G	62
1731053055	SPL M8G	62
1731053058	SPL M13G	62
1731053060	SPL M4B	62
1731053065	SPL M8B	62
1731053068	SPL M13B	62
1731053101	SPC R1G	59
1731053102	SPC R2G	59
1731053103	SPC R3G	59
1731053104	SPC R4G	59
1731053106	SPC R1B	59

CODE	MODEL	PAGE
1731053107	SPC R2B	59
1731053108	SPC R3B	59
1731053110	SPN 0G	63
1731053115	SPN 13G	63
1731053120	SPN 17G	63
1731053125	SPN 21G	63
1731053130	SPN 25G	63
1731053135	SPN 29G	63
1731053137	SPN 2R1G	63
1731053140	SPN 0B	63
1731053145	SPN 13B	63
1731053150	SPN 17B	63
1731053155	SPN 21B	63
1731053160	SPN 25B	63
1731053165	SPN 29B	63
1731053167	SPN 2R1B	63
1731053170	SPN M7G	63
1731053175	SPN M8G	64
1731053180	SPN M13G	64
1731053185	SPN M7B	64
1731053190	SPN M8B	64
1731053195	SPN M13B	64
1731060010	DES Z10	84
1731060016	DES Z16	84
1731060024	DES Z24	84
1731060124	DES HZ 24	84
1731060202	DES ZZ-L2	85
1731060203	DES ZZ-L3	85
1731060204	DES ZZ-L4	85
1731060205	DES ZZ-L5	85
1731060208	DES ZZ-Q	85
1731060210	DES ZZ-10	85
1731060216	DES ZZ-16	85
1731060224	DES ZZ-24	85
1731060232	DESPRED ZZ 32	87
1731060263	DESPRED ZZ 63	87
1731060332	DESCCLICK Z-32	86
1731060350	DESCCLICK Z-50	86
1731253020	DDMD M20	49
1731253025	DDMD M25	49

CODE	MODEL	PAGE
1731253032	DDMD M32	49
1731253040	DDMD M40	49
1731253050	DDMD M50	49
1731253063	DDMD M63	49
1731260008	DES Q CLEAN	89
1731260024	DES 24 CLEAN	88
1731260100	SPP 0C	90
1731260102	SPP 2C	90
1731260103	SPP R1C	90
1731260106	SPP R2C	90
1731260109	SPP R3C	90
1731260112	SPP R4C	90
1731260116	SPP 16C	90
1731260117	SPG 0C	90
1731260118	SPG 18C	90
1731260119	SPG 19C	90
1731260120	SPG 20C	90
1731260121	SPG 21C	90
1731260122	SPG 22C	90
1731260123	SPG 23C	90
1731260124	SPG 24C	90
1731260125	SPG 25C	90
1731260126	SPG 26C	90
1731260127	SPG 27C	90
1731260128	SPG 28C	90
1731260129	SPG 29C	90
1731260130	SPG 30C	90
1731260131	SPG 31C	90
1731260132	SPG 32C	90
1731260133	SPG 33C	90
1731260134	SPG 34C	90
1731260142	SPP 2x2C	90
1731260143	SPP 2x3C	90
1731260144	SPP 2x4C	90
1731260145	SPP 2x5C	90
1731260146	SPP 2x6C	90
1731260147	SPP 2x7C	90
1731260148	SPP 2x8C	90
1731260152	SPP 4x2C	90
1731260153	SPP 4x3C	90

CODE	MODEL	PAGE
1731260154	SPP 4x4C	90
1731260155	SPP 4x5C	90
1731260156	SPP 4x6C	90
1731310001	DES L1A	187
1731310002	DES L2A	187
1731310003	DES L3A	187
1731310004	DES L4A	187
1731310005	DES L5A	187
1731310008	DES QA	187
1731310010	DES 10A	187
1731310016	DES 16A	187
1731310024	DES 24A	187
1731320100	SPP 0GA	189
1731320102	SPP 2GA	189
1731320103	SPP 3GA	189
1731320104	SPP 4GA	189
1731320105	SPP 5GA	189
1731320106	SPP 6GA	189
1731320107	SPP 7GA	189
1731320108	SPP 8GA	189
1731320109	SPP 9GA	189
1731320110	SPP 10GA	189
1731320111	SPP 11GA	189
1731320112	SPP 12GA	189
1731320113	SPP 13GA	189
1731320114	SPP 14GA	189
1731320115	SPP 15GA	189
1731320116	SPP 16GA	189
1731320200	SPP 0BA	189
1731320202	SPP 2BA	189
1731320203	SPP 3BA	189
1731320204	SPP 4BA	189
1731320205	SPP 5BA	189
1731320206	SPP 6BA	189
1731320207	SPP 7BA	189
1731320208	SPP 8BA	189
1731320209	SPP 9BA	189
1731320210	SPP 10BA	189
1731320211	SPP 11BA	189
1731320212	SPP 12BA	189

CODE	MODEL	PAGE
1731320213	SPP 13BA	189
1731320214	SPP 14BA	189
1731320215	SPP 15BA	189
1731320216	SPP 16BA	189
1731320304	SPP 2x2GA	189
1731320306	SPP 2x3GA	189
1731320308	SPP 2x4GA	189
1731320310	SPP 2x5GA	189
1731320312	SPP 2x6GA	189
1731320314	SPP 2x7GA	189
1731320316	SPP 2x8GA	189
1731320318	SPP 4x2GA	189
1731320320	SPP 4x3GA	189
1731320322	SPP 4x4GA	189
1731320324	SPP 4x5GA	189
1731320326	SPP 4x6GA	189
1731320404	SPP 2x2BA	189
1731320406	SPP 2x3BA	189
1731320408	SPP 2x4BA	189
1731320410	SPP 2x5BA	189
1731320412	SPP 2x6BA	189
1731320414	SPP 2x7BA	189
1731320416	SPP 2x8BA	189
1731320418	SPP 4x2BA	189
1731320420	SPP 4x3BA	189
1731320422	SPP 4x4BA	189
1731320424	SPP 4x5BA	189
1731320426	SPP 4x6BA	189
1731320650	SPP PGA	200
1731320651	SPP PTGA	200
1731320652	SPP PBA	200
1731320745	SPG PGA	201
1731320748	SPG PBA	201
1731322000	SPG 0GA	190
1731322020	SPG 0BA	190
1731322117	SPG 17GA	190
1731322118	SPG 18GA	190
1731322119	SPG 19GA	190
1731322120	SPG 20GA	190
1731322121	SPG 21GA	190

CODE	MODEL	PAGE
1731322122	SPG 22GA	190
1731322123	SPG 23GA	190
1731322124	SPG 24GA	190
1731322125	SPG 25GA	190
1731322126	SPG 26GA	190
1731322127	SPG 27GA	190
1731322128	SPG 28GA	190
1731322129	SPG 29GA	190
1731322130	SPG 30GA	190
1731322131	SPG 31GA	190
1731322132	SPG 32GA	190
1731322133	SPG 33GA	190
1731322134	SPG 34GA	190
1731322217	SPG 17BA	190
1731322218	SPG 18BA	190
1731322219	SPG 19BA	190
1731322220	SPG 20BA	190
1731322221	SPG 21BA	190
1731322222	SPG 22BA	190
1731322223	SPG 23BA	190
1731322224	SPG 24BA	190
1731322225	SPG 25BA	190
1731322226	SPG 26BA	190
1731322227	SPG 27BA	190
1731322228	SPG 28BA	190
1731322229	SPG 29BA	190
1731322230	SPG 30BA	190
1731322231	SPG 31BA	190
1731322232	SPG 32BA	190
1731322233	SPG 33BA	190
1731322234	SPG 34BA	190
1731350025	DESPRED 25A	188
1731350032	DESPRED 32A	188
1731350063	DESPRED 63A	188
1731410001	DES L1FT	18
1731410002	DES L2FT	18
1731410003	DES L3FT	18
1731410004	DES L4FT	18
1731410005	DES L5FT	18
1731410008	DES Q FT	18

CODE	MODEL	PAGE
1731410010	DES10 FT	18
1731410016	DES16 FT	18
1731410024	DES24 FT	18
1731613094	DES DIVIA 130.94A	11
1731613096	DES DIVIA 130.94AT	11
1732010612	DES-PMH 6/12G	108
1732010618	DES-PMH 6/18G	108
1732011008	DES-PDM 10/8G	94
1732011026	DES-PDM 10/26G	94
1732012403	DES-PDM 24/3G	92
1732012412	DES-PDM 24/12G	92
1732012414	DES-PDM 24/14G	92
1732012415	DES-PDM 24/15G	92
1732012416	DES-PDM 24/16G	93
1732012417	DES-PDM 24/17G	93
1732012421	DES-PDM 24/124G	93
1732012425	DES-PDM 24/25G	93
1732012426	DES-PDM 24/26G	93
1732012432	DES-PDM 24/32G	93
1732012442	DES-PDM 24/42G	93
1732013403	DES-PDM 24/3B	92
1732013412	DES-PDM 24/12B	92
1732013415	DES-PDM 24/14B	92
1732013416	DES-PDM 24/15B	92
1732013417	DES-PDM 24/16B	93
1732013418	DES-PDM 24/17B	93
1732013426	DES-PDM 24/25B	93
1732013427	DES-PDM 24/26B	93
1732013433	DES-PDM 24/32B	93
1732013443	DES-PDM 24/42B	93
1732014613	DES-PDM Q/13G	95
1732014617	DES-PDM Q/17G	95
1732014625	DES-PDM Q/25G	95
1732015614	DES-PDM Q/13B	95
1732015618	DES-PDM Q/17B	95
1732015626	DES-PDM Q/25B	95
1732019980	DES PDM Caps	177
1732019983	DES Caps	90
1732021122	DES-PDM-S 112/22G	99
1732021126	DES-PDM-S 100/4G	99

CODE	MODEL	PAGE
1732021127	DES-PDM-S 112/7G	99
1732022122	DES-PDM-S 112/22B	99
1732022127	DES-PDM-S 112/7B	99
1732024003	DES-PMH 24/3G	107
1732024025	DES-PMH 24/25G	107
1732024034	DES-PMH 24/34G	107
1732025017	DES-PDM24/13 CLEAN	119
1732025025	DES-PDM24/25 CLEAN	119
1732025032	DES-PDM24/32 CLEAN	119
1732026013	DES-PDM ZIP 24/13G	98
1732026025	DES-PDM ZIP 24/25G	98
1732026032	DES-PDM ZIP 24/32G	98
1732030120	DES-PDMU 20G	101
1732030125	DES-PDMU 25G	101
1732030132	DES-PDMU 32G	101
1732030150	DES-PDMU 50G	101
1732031120	DES-PDMU 20B	101
1732031125	DES-PDMU 25B	101
1732031132	DES-PDMU 32B	101
1732031150	DES-PDMU 50B	101
1732032002	DES-PDM M20/2G	102
1732032003	DES-PDM M20/3G	102
1732032004	DES-PDM M20/4G	102
1732032504	DES-PDM M25/4G	102
1732032506	DES-PDM M25/6G	103
1732033204	DES-PDM M32/4G	103
1732033207	DES-PDM M32/7G	103
1732033242	DES-PDM M32/4-2G	103
1732033002	DES-PDM M20/2B	102
1732033003	DES-PDM M20/3B	102
1732033004	DES-PDM M20/4B	102
1732033504	DES-PDM M25/4B	102
1732033507	DES-PDM M25/6B	103
1732034008	DES-PDM M40/8G	103
1732034012	DES-PDM M40/12G	103
1732034013	DES-PDM M40/12B	103
1732034205	DES-PDM M32/4B	103
1732034208	DES-PDM M32/7B	103
1732034252	DES-PDM M32/4-2B	103
1732034304	DES-PDM M32/4 CLEAN	120

CODE	MODEL	PAGE
1732034307	DES-PDM M32/7 CLEAN	120
1732034342	DES-PDM M32/4-2 CLEAN	120
1732035008	DES-PDM M50/8G	103
1732035009	DES-PDM M40/8B	103
1732035010	DES-PDM M50/10G	103
1732035012	DES-PDM M50/12G	103
1732035019	DES-PDM M50/19G	103
1732036009	DES-PDM M50/8B	103
1732036011	DES-PDM M50/10B	103
1732036013	DES-PDM M50/12B	103
1732036020	DES-PDM M50/19B	103
1732036108	DES-PDM M50/8 CLEAN	120
1732036306	DES-PDM M63/6G	104
1732036309	DES-PDM M63/9G	104
1732036313	DES-PDM M63/13G	104
1732036314	DES-PDM M63/14G	104
1732036335	DES-PDM M63/35G	104
1732037307	DES-PDM M63/6B	104
1732037310	DES-PDM M63/9B	104
1732037314	DES-PDM M63/13B	104
1732037315	DES-PDM M63/14B	104
1732037336	DES-PDM M63/35B	104
1732040019	DES-PDM KN/19G	100
1732040021	DES-PDM KN/21G	100
1732040072	DES-PDM KN/72G	100
1732041020	DES-PDM KN/19B	100
1732041021	DES-PDM KN/21B	100
1732041073	DES-PDM KN/72B	100
1732050025	DES-PDP 25G	105
1732050032	DES-PDP 32G	105
1732050040	DES-PDP 40G	105
1732050050	DES-PDP 50G	105
1732050063	DES-PDP 63G	105
1732050075	DES-PDP 75G	105
1732052025	DES-PDP 25B	105
1732052032	DES-PDP 32B	105
1732052040	DES-PDP 40B	105
1732052050	DES-PDP 50B	105
1732052063	DES-PDP 63B	105
1732052075	DES-PDP 75B	105

CODE	MODEL	PAGE
1732052163	DES-PDPS63G	105
1732052175	DES-PDPS75G	105
1732052203	DES PMA32 3-6	52
1732052206	DES PMA32 6-9	52
1732052210	DES PMAC 32	54
1732052215	DES PMAC 50	55
1732052220	DES PMAQ	56
1732052230	DES PMA 10E	53
1732052235	DES PMA 10D	53
1732052320	DES-PM 16/20G	111
1732052323	DES-PM 16/23G	111
1732052326	DES-PM 16/26G	111
1732052412	DES-PM 24/12G	109
1732052414	DES-PM 24/14G	109
1732052417	DES-PM 24/17G	109
1732052418	DES-PM 24/18G	109
1732052420	DES-PM 24/20G	110
1732052426	DES-PM 24/26G	110
1732052442	DES-PM 24/42G	110
1732052448	DES-PM 24/48G	110
1732052450	DES-PM 24/50G	110
1732053413	DES-PM 24/12B	109
1732053415	DES-PM 24/14B	109
1732053418	DES-PM 24/17B	109
1732053419	DES-PM 24/18B	109
1732053421	DES-PM 24/20B	110
1732053427	DES-PM 24/26B	110
1732053443	DES-PM 24/42B	110
1732053449	DES-PM 24/48B	110
1732053451	DES-PM 24/50B	110
1732060116	DES-PMU 16G	113
1732060120	DES-PMU 20G	113
1732060125	DES-PMU 25G	113
1732060132	DES-PMU 32G	113
1732061116	DES-PMU 16B	113
1732061120	DES-PMU 20B	113
1732061125	DES-PMU 25B	113
1732061132	DES-PMU 32B	113
1732062004	DES-PM M20/4G type 1	114
1732062005	DES-PM M20/5G type 1	114

CODE	MODEL	PAGE
1732062504	DES-PM M25/4G type 1	114
1732062506	DES-PM M25/6G type 1	114
1732063210	DES-PM M32/10G type 1	114
1732063505	DES-PM M25/4B type 1	114
1732063507	DES-PM M25/6B type 1	114
1732064009	DES-PM M40/9G	115
1732064012	DES-PM M40/9B	115
1732064016	DES-PM M40/16G	115
1732064017	DES-PM M40/16B	115
1732064211	DES-PM M32/10B type 1	114
1732065009	DES-PM M50/9G type 1	115
1732065011	DES-PM M50/11G type 1	115
1732065012	DES-PM M50/12G type 1	115
1732065015	DES-PM M50/15G type 1	115
1732065017	DES-PM M50/17G type 1	115
1732065020	DES-PM M50/20G type 1	115
1732066010	DES-PM M50/9B type 1	115
1732066012	DES-PM M50/11B type 1	115
1732066013	DES-PM M50/12B type 1	115
1732066016	DES-PM M50/15B type 1	115
1732066018	DES-PM M50/17B type 1	115
1732066021	DES-PM M50/20B type 1	115
1732067012	RCS M12G	118
1732067016	RCS M16G	118
1732067020	RCS M20G	118
1732067025	RCS M25G	118
1732067032	RCS M32G	118
1732067040	RCS M40G	118
1732067050	RCS M50G	118
1732070002	IFP 5G	117
1732070004	IFP 9G	117
1732070006	IFP 12G	117
1732070008	IFP 16G	117
1732070010	IFP 20G	117
1732070012	IFP 5B	117
1732070014	IFP 9B	117
1732070016	IFP 12B	117
1732070018	IFP 16B	117
1732071221	DES-PM-S 112/21G	112
1732071222	DES-PM-S 112/21B	112

CODE	MODEL	PAGE
1732074607	DES-PM-S 46/7G	112
1732074608	DES-PM-S 46/7B	112
1732074609	DES-PM-S 46/9G	112
1732074610	DES-PM-S 46/9B	112
1732076908	DES-PM-S 69/8G	112
1732076909	DES-PM-S 69/8B	112
1732078611	DES-PM-S 86/11G	112
1732078612	DES-PM-S 86/11B	112
1732078617	DES-PM-S 86/17G	112
1732078618	DES-PM-S 86/17B	112
1732212403	DES PDM 24/3G FT	96
1732212412	DES PDM 24/12G FT	96
1732212414	DES PDM 24/14G FT	96
1732212415	DES PDM 24/15G FT	96
1732212416	DES PDM 24/16G FT	96
1732212417	DES PDM 24/17G FT	96
1732212425	DES PDM 24/25G FT	97
1732212426	DES PDM 24/26G FT	97
1732212432	DES PDM 24/32G FT	97
1732212442	DES PDM 24/42G FT	97
1732213415	DES PDM 24/15B FT	96
1732213421	DES PDM 24/124G FT	96
1732263210	DES-PM M32/10G type 2	114
1732264211	DES-PM M32/10B type 2	114
1732265012	DES-PM M50/12G type 2	115
1732266013	DES-PM M50/12B type 2	115
1732290025	EDM 25-50	116
1732290032	EDM 32-50	116
1732290040	EDM 40-50	116
1732290050	EDM 50-50	116
1732290063	EDM 63-50	116
1732312412	DES PDM 24A/12G	191
1732312414	DES PDM 24A/14G	191
1732312415	DES PDM 24A/15G	191
1732312416	DES PDM 24A/16G	191
1732312417	DES PDM 24A/17G	192
1732312425	DES PDM 24A/25G	192
1732312426	DES PDM 24A/26G	192
1732312442	DES PDM 24A/42G	192
1732312445	DES PDM 24A/124G	192

CODE	MODEL	PAGE
1732313412	DES PDM 24A/12B	191
1732313414	DES PDM 24A/14B	191
1732313415	DES PDM 24A/15B	191
1732313416	DES PDM 24A/16B	191
1732313417	DES PDM 24A/17B	192
1732313425	DES PDM 24A/25B	192
1732313426	DES PDM 24A/26B	192
1732313442	DES PDM 24A/42B	192
1732314613	DES PDM Q13GA	193
1732314617	DES PDM Q17GA	193
1732314625	DES PDM Q25GA	193
1732315614	DES PDM Q13BA	193
1732315618	DES PDM Q17BA	193
1732315626	DES PDM Q25BA	193
1732330120	DES PDMU 20GA	194
1732330125	DES PDMU 25GA	194
1732330132	DES PDMU 32GA	194
1732331120	DES PDMU 20BA	194
1732331125	DES PDMU 25BA	194
1732331132	DES PDMU 32BA	194
1732332002	DES-PDM M20A/2G	195
1732332003	DES-PDM M20A/3G	195
1732332004	DES-PDM M20A/4G	195
1732333005	DES-PDM M20A/2B	195
1732333006	DES-PDM M20A/3B	195
1732333007	DES-PDM M20A/4B	195
1732333104	DES-PDM M25A/4G	195
1732333506	DES-PDM M25A/6G	196
1732333204	DES PDM M32A/4G	196
1732333207	DES PDM M32A/7G	196
1732333242	DES PDM M32A/4-2G	196
1732333504	DES-PDM M25A/4B	195
1732333507	DES-PDM M25A/6B	196
1732334008	DES PDM M40A/8G	196
1732334012	DES PDM M40A/12G	196
1732334205	DES PDM M32A/4B	196
1732334208	DES PDM M32A/7B	196
1732334252	DES PDM M32A/4-2B	196
1732335007	DES PDM M40A/12B	196
1732335008	DES PDM M50A/8G	196

CODE	MODEL	PAGE
1732335009	DES PDM M40A/8B	196
1732335010	DES PDM M50A/10G	196
1732335012	DES PDM M50A/12G	196
1732335019	DES PDM M50A/19G	196
1732336009	DES PDM M50A/8B	196
1732336011	DES PDM M50A/10B	196
1732336013	DES PDM M50A/12B	196
1732336020	DES PDM M50A/19B	196
1732336306	DES PDM M63A/6G	197
1732336309	DES PDM M63A/9G	197
1732336313	DES PDM M63A/13G	197
1732336314	DES PDM M63A/14G	197
1732336335	DES PDM M63A/35G	197
1732337307	DES PDM M63A/6B	197
1732337310	DES PDM M63A/9B	197
1732337314	DES PDM M63A/13B	197
1732337315	DES PDM M63A/14B	197
1732337336	DES PDM M63A/35B	197
1732350025	DES PDP 25GA	198
1732350032	DES PDP 32GA	198
1732350040	DES PDP 40GA	198
1732350050	DES PDP 50GA	198
1732350063	DES PDP 63GA	198
1732350075	DES PDP 75GA	198
1732352025	DES PDP 25BA	198
1732352032	DES PDP 32BA	198
1732352040	DES PDP 40BA	198
1732352050	DES PDP 50BA	198
1732352063	DES PDP 63BA	198
1732352075	DES PDP 75BA	198
1732352080	DES PDPS 63GA	199
1732352090	DES PDPS 75GA	199
1733000001	APD 10	124
1733000003	APD 39	124
1733000006	APD 80	124
1733000009	APD 140	124
1733000012	APD 180	124
1733010047	AP-DP 63	125
1733010611	AP-DP 95	125
1733010713	AP-DP 119	125

CODE	MODEL	PAGE
1733011411	AP-DP 95 BA4	125
1733011413	AP-DP 119 BA4	125
1733011447	AP-DP 63 BA4	125
1733012411	AP-DP 95 BR4	125
1733012413	AP-DP 119 BR4	125
1733012447	AP-DP 63 BR4	125
1733020003	AP 39	122
1733020004	AP 60	122
1733020005	AP 70	122
1733020006	AP 87	122
1733020007	AP 103	122
1733020008	AP 121	122
1733020009	AP 140	122
1733020010	AP 180	122
1733020011	DZ 30	126
1733020012	DZ 32	126
1733020020	FV1	131
1733020025	FV2	131
1733020030	FV3	131
1733021006	BOB 15X10	131
1733021008	BOB 19X10	131
1733021009	BOB 38X10	131
1733021010	BOB 10X25	131
1733021012	OW13	130
1733021013	OW20	130
1733021020	BOB 20X25	131
1733021101	FVM101	132
1733021150	FVM150	132
1733021199	FVM360	132
1733021200	FVM200	132
1733021300	FVM300	132
1733021305	FVS-Q1	133
1733021310	FVS-Q2	133
1733021315	FVS-Q3	133
1733021326	FVS-R8	133
1733021330	FVS-T8	133
1733021335	FVS-T10	133
1733021403	AP 39 BA4	123
1733021404	AP 60 BA4	123
1733021405	AP 70 BA4	123

CODE	MODEL	PAGE
1733021406	AP 87 BA4	123
1733021407	AP 103 BA4	123
1733021408	AP 121 BA4	123
1733021409	AP 140 BA4	123
1733021410	AP 180 BA4	123
1733021503	AP 39 BA5	123
1733021504	AP 60 BA5	123
1733021505	AP 70 BA5	123
1733021506	AP 87 BA5	123
1733021507	AP 103 BA5	123
1733021508	AP 121 BA5	123
1733021509	AP 140 BA5	123
1733021510	AP 180 BA5	123
1733021603	AP 39 BA6	123
1733021604	AP 60 BA6	123
1733021605	AP 70 BA6	123
1733021606	AP 87 BA6	123
1733021607	AP 103 BA6	123
1733021608	AP 121 BA6	123
1733021609	AP 140 BA6	123
1733021610	AP 180 BA6	123
1733022403	AP 39 BR4	123
1733022404	AP 60 BR4	123
1733022405	AP 70 BR4	123
1733022406	AP 87 BR4	123
1733022407	AP 103 BR4	123
1733022408	AP 121 BR4	123
1733022409	AP 140 BR4	123
1733022410	AP 180 BR4	123
1733022503	AP 39 BR5	123
1733022504	AP 60 BR5	123
1733022505	AP 70 BR5	123
1733022506	AP 87 BR5	123
1733022507	AP 103 BR5	123
1733022508	AP 121 BR5	123
1733022509	AP 140 BR5	123
1733022510	AP 180 BR5	123
1733022603	AP 39 BR6	123
1733022604	AP 60 BR6	123
1733022605	AP 70 BR6	123

CODE	MODEL	PAGE
1733022606	AP 87 BR6	123
1733022607	AP 103 BR6	123
1733022608	AP 121 BR6	123
1733022609	AP 140 BR6	123
1733022610	AP 180 BR6	123
1733030010	MFK 13-25	128
1733030015	MFK 20-36	128
1733030021	MFKD 36-52	128
1733030025	MFK 55-75	128
1733030030	MFK 75-95	128
1733030040	MFY 27-38	128
1733030050	MFY 38-51	128
1733030060	MFY 51-69	128
1733030110	CFP 1	129
1733030120	CFP 2	129
1733030130	CFP 3	129
1734000100	MB 22	169
1734000110	MBC	169
1734000151	MB 14 V2	169
1734010080	MSS 30-37	138
1734010090	MSS 38-48	138
1734010095	MSS 50-60	138
1734010100	MSS 62-74	138
1734010210	MSS2 1.5-3	137
1734010220	MSS2 3-6	137
1734010230	MSS2 7-9	137
1734010240	MSS2 9-12	137
1734010250	MSS2 11-17	137
1734010260	MSS2 18-22	137
1734010270	MSS2 22-30	137
1734010280	MSS3 1.5-3	139
1734010281	MSS3 3-7	139
1734010285	MSS3 6-10	139
1734010290	MSS3 3-11	139
1734010310	MSL 3-9	140
1734010320	MSL 10-19	140
1734010330	MSL 3-12	14
1734010410	MSP 1,5-3	151
1734010411	MSP 1,5-3 V2	151
1734010420	MSP 3-6	151

CODE	MODEL	PAGE
1734010421	MSPC 3-7	151
1734010425	MSPC 6-10	151
1734014002	DES L2 EMC	172
1734014003	DES L3 EMC	172
1734014004	DES L4 EMC	172
1734014005	DES L5 EMC	172
1734014008	DES Q EMC	172
1734014010	DES 10 EMC	172
1734014016	DES 16 EMC	172
1734014024	DES 24 EMC	172
1734020070	MSD 22-30	150
1734020080	MSD 30-37	150
1734020090	MSD 38-48	150
1734020300	MSF 2X2-6	161
1734020305	MSF 3-8	161
1734020310	MSFD 3-8	161
1734020315	MSF 4-13,5	161
1734020320	MSFD 4-13,6	161
1734020325	MSF 10-20	161
1734020330	MSFD 10-20	161
1734020335	MSF 15-32	161
1734020340	MSFD 15-32	161
1734021010	MSD2 1.5-3	149
1734021020	MSD2 3-6	149
1734021030	MSD2 7-9	149
1734021040	MSD2 9-12	149
1734021050	MSD2 11-17	149
1734021060	MSD2 18-22	149
1734021080	MSD2L 3-9	149
1734021081	MSD2L 3-12	149
1734021090	MSD2L 10-19	149
1734021095	MSD 50-60	150
1734021098	MSD 62-74	150
1734024000	SPG0 EMC	173
1734024100	SPP0 EMC	173
1734024102	SPP2 EMC	173
1734024116	SPP16 EMC	173
1734024117	SPG17 EMC	173
1734024118	SPG18 EMC	173
1734024119	SPG19 EMC	173

CODE	MODEL	PAGE
1734024120	SPG20 EMC	173
1734024121	SPG21 EMC	173
1734024122	SPG22 EMC	173
1734024123	SPG23 EMC	173
1734024124	SPG24 EMC	173
1734024125	SPG25 EMC	173
1734024126	SPG26 EMC	173
1734024127	SPG27 EMC	173
1734024128	SPG28 EMC	173
1734024129	SPG29 EMC	173
1734024130	SPG30 EMC	173
1734024131	SPG31 EMC	173
1734024132	SPG32 EMC	173
1734024133	SPG33 EMC	173
1734024134	SPG34 EMC	173
1734024140	SPP R1 EMC	173
1734024142	SPP R2 EMC	173
1734024144	SPP R3 EMC	173
1734024146	SPP R4 EMC	173
1734024304	SPP 2x2 EMC	173
1734024306	SPP 2x3 EMC	173
1734024308	SPP 2x4 EMC	173
1734024310	SPP 2x5 EMC	173
1734024312	SPP 2x6 EMC	173
1734024314	SPP 2x7 EMC	173
1734024316	SPP 2x8 EMC	173
1734024318	SPP 4x2 EMC	173
1734024320	SPP 4x3 EMC	173
1734024322	SPP 4x4 EMC	173
1734024324	SPP 4x5 EMC	173
1734024326	SPP 4x6 EMC	173
1734029800	MSAS 1,5-3	142
1734029810	MSAS 3-6	142
1734029820	MSAS 6-10	142
1734029830	MSAS 9-12	142
1734029840	MSAS 11-17	142
1734029850	MSAS 18-22	142
1734029860	MSAS 3-11	142
1734030010	MSA 1.5-3	144
1734030020	MSA 3-6	144

CODE	MODEL	PAGE
1734030030	MSA 7-9	144
1734030040	MSA 9-12	144
1734030041	MSA 9-1 M5	144
1734030050	MSA 11-17	144
1734030060	MSA 18-22	144
1734030070	MSA 22-30	144
1734030080	MSAL 3-9	144
1734030090	MSAL 10-19	144
1734030110	MSM 1,5-3	141
1734030120	MSM 3-6	141
1734030130	MSM 7-9	141
1734030140	MSM 9-12	141
1734030180	MSML 3-9	141
1734030193	MSAD 3-8	143
1734030200	MSAD 9-20	143
1734030210	MSK 1,5-3	157
1734030215	MSK2 1,5-3	157
1734030220	MSK 3-6	157
1734030225	MSK2 3-6	157
1734030230	MSK 7-9	157
1734030235	MSK2 7-9	157
1734030240	MSY 1,5-3	158
1734030245	MSY2 1,5-3	158
1734030250	MSY 3-6	158
1734030255	MSY2 3-6	158
1734030260	MSY 7-9	158
1734030265	MSY2 7-9	158
1734030310	MSU 3x1,5-3	160
1734030320	MSU 3x3-6	160
1734030330	MSU 3x7-9	160
1734030340	MSU 3x9-12	160
1734030410	MSU 4x1,5-3	160
1734030420	MSU 4x3-6	160
1734030430	MSU 4x7-9	160
1734030440	MSU 4x9-12	160
1734030510	MSU 5x1,5-3	160
1734030520	MSU 5x3-6	160
1734030530	MSU 5x7-9	160
1734030540	MSU 5x9-12	160
1734030620	MSU 6x3-6	160

CODE	MODEL	PAGE
1734030630	MSU 6x7-9	160
1734030640	MSU 6x9-12	160
1734031010	MSU 10x 1,5-3	160
1734031020	MSU 10x 3-6	160
1734031210	MSU 12x 1,5-3	160
1734031220	MSU 12x 3-6	160
1734031230	MSU 12x 7-9	160
1734040010	MSB 1,5-3	153
1734040015	MSBS 1.5-3	152
1734040020	MSB 3-6	153
1734040024	MSBS 3-6	153
1734040030	MSB 7-9	153
1734040035	MSBS 7-9	152
1734040040	MSB 9-12	153
1734040045	MSBS 9-12	152
1734040050	MSB 11-17	153
1734040055	MSBS 11-17	152
1734040060	MSB 18-22	153
1734040065	MSBS 18-22	152
1734040080	MSBL 3-9	153
1734040081	MSBL 3-12	153
1734040111	MSRP 1,5-3 V2	155
1734040120	MSRP 3-6	155
1734040130	MSRP 7-9	155
1734040131	MSRC 6-10	155
1734040250	MSRK 3-11	154
1734040310	MSR 1,5-3	154
1734040320	MSR 3-6	154
1734040330	MSR 7-9	154
1734040340	MSR 9-12	154
1734040345	MSRQ 9-12	156
1734040350	MSR 11-17	154
1734040360	MSR 18-22	154
1734040370	MSR 22-30	154
1734040381	MSRL 3-12	154
1734040385	MSRQ 3-12	156
1734040390	MSRL 10-19	154
1734040405	MSH 2-5	156
1734040408	MSH 3-8	156
1734040414	MSH 3-14	156

CODE	MODEL	PAGE
1734040420	MSH 3-20	156
1734040435	MSH 28-35	156
1734040512	MST 6-12	159
1734040518	MST 12-18	159
1734040522	MST 18-22	159
1734040530	MST 22-30	159
1734040538	MST 30-38	159
1734040542	MST 38-42	159
1734040600	MSTB 6-12	127
1734040602	MSTB 12-18	127
1734040605	MSTB 18-22	127
1734040607	MSTB 22-30	127
1734040610	MSTB 30-38	127
1734040612	MSTB 38-42	127
1734040615	MSTB 42-50	127
1734040620	MSTB 50-64	127
1734040622	MSTB 64-70	127
1734040624	MSTB 70-80	127
1734040626	MSTB 80-100	127
1734040705	MSFC 2x2-6	162
1734040710	MSFC 3-8	162
1734040715	MSFC 4-13,5	162
1734040720	MSFC 10-20	162
1734040725	MSFC 15-32	162
1734040810	MSFE 3-8	162
1734040815	MSFE 4-13,5	162
1734040820	MSFE 10-20	162
1734040825	MSFE 15-32	162
1734050010	MSE 1.5-3	146
1734050020	MSE 3-6	146
1734050030	MSE 7-9	146
1734050040	MSE 9-12	146
1734050050	MSE 11-17	146
1734050060	MSE 18-22	146
1734050070	MSE 22-30	146
1734050080	MSEL 3-9	146
1734050090	MSEL 10-19	146
1734050100	MSES 1,5-3	145
1734050105	MSES 3-6	145
1734050110	MSES 7-9	145

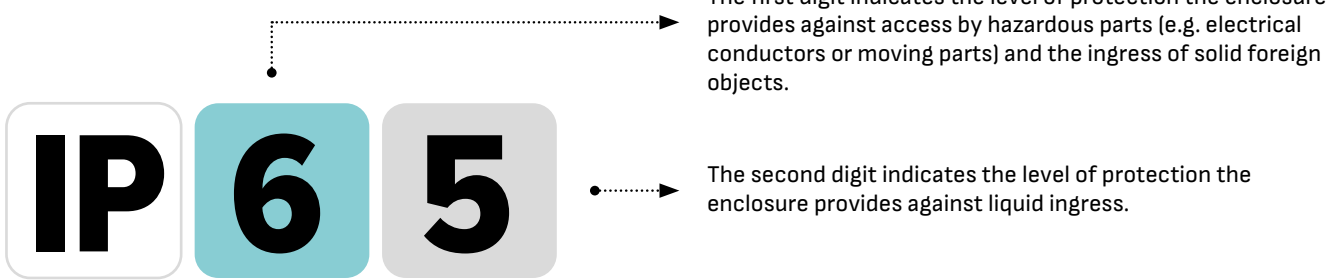
CODE	MODEL	PAGE
1734050115	MSES 9-12	145
1734050120	MSES 11-17	145
1734050125	MSES 18-22	145
1734050130	MSEA 3-6	147
1734050135	MSEA 7-9	147
1734050140	MSEA 9-12	147
1734050145	MSEA 3-12	147
1734052316	BROSF16 - 1,5-3	166
1734052317	BROSF16 - 3-6	166
1734052320	BROSF20 - 1,5-3	166
1734052321	BROSF20 - 3-6	166
1734052325	BROSF25 - 1,5-3	166
1734052326	BROSF25 - 3-6	166
1734052332	BROSF32 - 1,5-3	166
1734052333	BROSF32 - 3-6	166
1734060001	MSC 1.5-3	163
1734060003	MSC 3-6	163
1734060006	MSC 7-9	163
1734060110	MSG 1.5-3	148
1734060120	MSG 3-6	148
1734060130	MSG 7-9	148
1734080000	CTX-6/100/6	171
1734080005	CTX-6/150/6	171
1734080010	CTX-6/200/6	171
1734080015	CTX-6/250/6	171
1734080020	CTX-6/300/6	171
1734080025	CTX-6/400/6	171
1734080030	CTX-6/500/6	171
1734080035	CTX-10/100/6	171
1734080040	CTX-10/100/8	171
1734080045	CTX-10/150/8	171
1734080050	CTX-10/200/6	171
1734080055	CTX-10/200/8	171
1734080060	CTX-10/250/6	171
1734080065	CTX-10/300/6	171
1734080070	CTX-10/300/8	171
1734080075	CTX-10/400/6	171
1734080080	CTX-10/400/8	171
1734080085	CTX-10/500/6	171
1734080090	CTX-16/100/6	171

CODE	MODEL	PAGE
1734080095	CTX-16/100/8	171
1734080100	CTX-16/150/6	171
1734080105	CTX-16/150/8	171
1734080110	CTX-16/200/6	171
1734080115	CTX-16/200/8	171
1734080120	CTX-16/250/8	171
1734080125	CTX-16/300/6	171
1734080130	CTX-16/300/8	171
1734080135	CTX-16/350/8	171
1734080140	CTX-16/400/8	171
1734080145	CTX-16/500/8	171
1734080150	CTX-16/600/8	171
1734080155	CTX-25/100/10	171
1734080160	CTX-25/150/10	171
1734080165	CTX-25/200/8	171
1734080170	CTX-25/200/10	171
1734080175	CTX-25/250/8	171
1734080180	CTX-25/300/8	171
1734080185	CTX-25/300/10	171
1734080190	CTX-25/350/10	171
1734080195	CTX-25/400/8	171
1734080200	CTX-25/500/8	171
1734080205	CTX-25/600/8	171
1734080808	GKD-Q	178
1734080810	GKD-10	178
1734080816	GKD-16	178
1734080824	GKD-24	178
1734090100	Engineering Box EMC	170
1734090108	EMCS-Q	165
1734090110	EMCS-10	165
1734090116	EMCS-16	165
1734090120	EMCZ-M20	168
1734090124	EMCS-24	165
1734090125	EMCZ-M25	168
1734090126	EMCZ-M32 typeA	168
1734090127	EMCZ-M32 typeB	168
1734090130	EMCZ-Q	167
1734090132	EMCZ-10	167
1734090133	EMCZ-16	167
1734090134	EMCZ-24	167

CODE	MODEL	PAGE	CODE	MODEL	PAGE
1734090140	EMCZ-M40	168	1736020020	PF2	181
1734090150	EMCZ-M50	168	1736020030	PF3	181
1734090163	EMCZ-M63	168	1736020040	PF4	181
1735010010	FL6	175	1736020050	PF5	181
1735010014	FL10	175	1736020060	PF6	181
1735010016	FL11	175	1736020070	PF7	181
1735010020	FL14	175	1736020600	PFX600	182
1735010022	FL16	175	1736020800	PFX800	182
1735010026	FL20	175	1736021000	PFX1000	182
1735010032	FL23	175	1736030006	SQZ 600	184
1735010035	FL29	175	1736030008	SQZ 800	184
1735010042	FL37	175	1736030010	SQZ 1000	184
1735010054	FL45	175	1736030012	SQZ 1200	184
1735030010	FW6	176	1736999840	Deluxe DemoBox	185
1735030013	FW10	176	1736999850	UltraTray 4	83
1735030015	FW11	176	1736999851	UltraTray 4 SPC R	83
1735030018	FW14	176	1736999852	UltraTray 4 SPP R	83
1735030021	FW16	176	1736999860	Utility Box SPP G	82
1735030025	FW20	176	1736999861	Utility Box SPP B	82
1735030028	FW23	176	1736999862	Utility Box SPCL G	81
1735030034	FW29	176	1736999863	Utility Box SPCL B	81
1735030042	FW42	176	1739020013	EMC AP-39	164
1735030054	FW45	176	1739020014	EMC AP-60	164
1736010002	PNZ 02	179	1739020015	EMC AP-70	164
1736010003	PNZ 03	179	1739020016	EMC AP-87	164
1736010004	PNZ 04	179	1739020017	EMC AP-103	164
1736010005	PNZ 05	179	1739020018	EMC AP-121	164
1736010008	PNZ 08	179	1739020019	EMC AP-140	164
1736010010	PNZ 10	179	1739020110	EMC AP-180	164
1736010016	PNZ 16	179			
1736010022	PNZ 22	179			
1736010023	PNZ 24	179			
1736010025	PNZ 25	179			
1736010032	PNZ 32	179			
1736010040	PNZ 40	179			
1736010050	PNZ 50	179			
1736010063	PNZ 63	179			
1736010100	HY360	179			
1736010105	TG114	180			
1736010108	PNZ 108	179			

# LEGENDA OF IP SYMBOLS

The IP code (or IP protection degree) is defined by the IEC 60529 standard and indicates the level of protection provided by enclosures against the intrusion of solid objects and liquids. It classifies the effectiveness of mechanical and electrical protection against external agents such as dust and water.



**IP0x** Not protected from contact and ingress of objects

**IP1x** Protected against solid objects larger than 50 mm.

**IP2x** Protected against solid objects larger than 12 mm.

**IP3x** Protected against solid objects larger than 2,5 mm.

**IP4x** Protected against solid objects larger than 1 mm.

**IP5x** Protected against dust.

**IP6x** Dustproof.

**IPx0** Unprotected.

**IPx1** Protected from vertically falling drops of water.

**IPx2** Protected from falling water drops with a maximum inclination of 15°.

**IPx3** Protected from the rain.

**IPx4** Splash-proof.

**IPx5** Protected from water jets.

**IPx6** Protected from waves.

**IPx7** Protected from temporary immersion.

**IPx8** Protected from permanent immersion.

**IPx9** Protected against high pressure and high temperature water jets.

**IPx9K** Protection against water in the case of steam / pressure cleaning, only valid for road vehicles.





**DetasUltra**  
is a division of:

**Detas SpA**  
Via Tre Ponti, 29  
25086 Rezzato (BS) Italy  
T. +39 030 25 94 120  
info@detasultra.com

ISO 9001 / ISO 14001  
certified company

**detasultra.com**  
**detas.com**

**DETAS**  
**130**  
**1896 · 2026**